



# Dimension and Specification Handbook



# Important Safety Instructions-All Models



© 2023 Jacuzzi Hot Tubs. Jacuzzi may make product modifications and enhancements. Therefore, specifications may change without notice. Dimensions are approximate and for reference only.



**CAUTION: ALWAYS MEASURE EACH SPA FOR EXACT DIMENSIONS BEFORE DESIGNING ITS FOUNDATIONAL SUPPORT AND/OR DECKING.**



When designing a foundational support, always account for the following load factors:

1. Filled spa weight, plus (+)
2. Combined occupant weight at the maximum seating capacity, plus (+)
3. Weight of the support decking, when applicable.



The technical data given in this publication is for reference only. It implies no warranty of kind.



Dimensions/Specifications subject to change without notice. Spa operation subject to change without notice.

# Table of Contents

<b>Jacuzzi J-400™ Collection Hot Tubs .....</b>	<b>7</b>
<b>J-495™ Specifications .....</b>	<b>7</b>
<b>J-495 Operations .....</b>	<b>8</b>
<b>J-495 Dimensions.....</b>	<b>9</b>
<b>J-485™ Specifications .....</b>	<b>10</b>
<b>J-485 Operations .....</b>	<b>11</b>
<b>J-485 dimensions .....</b>	<b>12</b>
<b>J-475™ Specifications .....</b>	<b>13</b>
<b>J-475 Operations .....</b>	<b>14</b>
<b>J-475 Dimensions.....</b>	<b>15</b>
<b>J-445™ Specifications .....</b>	<b>16</b>
<b>J-445 Operations .....</b>	<b>17</b>
<b>J-445 Dimensions.....</b>	<b>18</b>
<b>J-435™ Specifications .....</b>	<b>19</b>
<b>J-435 Operations .....</b>	<b>20</b>
<b>J-435 Dimensions.....</b>	<b>21</b>
<b>Jacuzzi J-300™ Collection Hot Tubs .....</b>	<b>22</b>
<b>J-385™ Specifications .....</b>	<b>22</b>
<b>J-385 Operations .....</b>	<b>23</b>
<b>J-385 Dimensions.....</b>	<b>24</b>
<b>J-375™ Specifications .....</b>	<b>25</b>
<b>J-375 Operations .....</b>	<b>26</b>
<b>J-375 Dimensions.....</b>	<b>27</b>
<b>J-365™ Specifications .....</b>	<b>28</b>
<b>J-365 Operations .....</b>	<b>29</b>
<b>J-365 Dimensions.....</b>	<b>30</b>
<b>J-355™ Specifications .....</b>	<b>31</b>
<b>J-355 Operations .....</b>	<b>32</b>
<b>J-355 Dimensions.....</b>	<b>33</b>

# Table of Contents

<b>J-345™ Specifications .....</b>	<b>34</b>
<b>J-345 Operations .....</b>	<b>35</b>
<b>J-345 Dimensions.....</b>	<b>36</b>
<b>J-335™ Specifications .....</b>	<b>40</b>
<b>J-335 Operations .....</b>	<b>41</b>
<b>J-335 Dimensions.....</b>	<b>42</b>
<b>J-325™ Specifications .....</b>	<b>43</b>
<b>J-325 Operations .....</b>	<b>44</b>
<b>J-325 Dimensions.....</b>	<b>45</b>
<b>J-315™ Specifications .....</b>	<b>46</b>
<b>J-315 Operations .....</b>	<b>47</b>
<b>J-315 Dimensions.....</b>	<b>48</b>
<b>Jacuzzi J-200™ Collection Hot Tubs .....</b>	<b>49</b>
<b>J-280™ Specifications .....</b>	<b>49</b>
<b>J-280 Operations .....</b>	<b>50</b>
<b>J-280 Dimensions.....</b>	<b>51</b>
<b>J-275™ Specifications .....</b>	<b>52</b>
<b>J-275 Operations .....</b>	<b>53</b>
<b>J-275 Dimensions.....</b>	<b>54</b>
<b>J-245™ Specifications .....</b>	<b>55</b>
<b>J-245 Operations .....</b>	<b>56</b>
<b>J-245 Dimensions.....</b>	<b>57</b>
<b>J-235™ Specifications .....</b>	<b>58</b>
<b>J-235 Operations .....</b>	<b>59</b>
<b>J-235 Dimensions.....</b>	<b>60</b>
<b>J-225™ Specifications .....</b>	<b>61</b>
<b>J-225 Operations .....</b>	<b>62</b>
<b>J-225 Dimensions.....</b>	<b>63</b>

# Table of Contents

<b>J-215™ Specifications .....</b>	<b>64</b>
<b>J-215 Operations .....</b>	<b>65</b>
<b>J-215 Dimensions.....</b>	<b>66</b>
<b>Play™ Collection .....</b>	<b>67</b>
<b>Soul™ 40 Jets Square Lounge Specifications .....</b>	<b>67</b>
<b>Soul 40 Jets Square Lounge Operation/Seat Depths .....</b>	<b>68</b>
<b>Soul 40 Jets Square Lounge Portable Dimensions .....</b>	<b>69</b>
<b>Soul™ 30 Jets Square Lounge Specifications .....</b>	<b>70</b>
<b>Soul 30 Jets Square Lounge Operation/Seat Depths .....</b>	<b>71</b>
<b>Soul 30 Jets Square Lounge Portable Dimensions .....</b>	<b>72</b>
<b>Echo™ 40 Jets Square Specifications .....</b>	<b>73</b>
<b>Echo 40 Jets Square Operation/Seat Depths .....</b>	<b>74</b>
<b>Echo 40 Jets Square Portable Dimensions .....</b>	<b>75</b>
<b>Echo™ 30 Jets Square Specifications .....</b>	<b>76</b>
<b>Echo 30 Jets Square Operation/Seat Depths .....</b>	<b>77</b>
<b>Echo 30 Jets Square Portable Dimensions .....</b>	<b>78</b>
<b>Mood™ 20 Jets Rectangle Specifications.....</b>	<b>79</b>
<b>Mood 20 Jets Rectangle Operation/Seat Depths.....</b>	<b>80</b>
<b>Mood 20 Jets Rectangle Portable Dimensions.....</b>	<b>81</b>
<b>Complete Dimensions -J 400™ Collection Models .....</b>	<b>82</b>
<b>Complete Dimensions - J300™ Collection Models .....</b>	<b>83</b>
<b>Complete Dimensions - J200™ Collection Models .....</b>	<b>84</b>



# Jacuzzi J-495

## Specifications

<b>Seating Capacity</b> .....	8-9 Adults
<b>Dimensions</b> .....	91" x 110" x 37.5" Front/43.5" Back, (231.1 cm x 279.4 cm x 95.25 cm Front/110.5 cm Back); <b>For complete dimensions, See page 85</b>
<b>Perimeter</b> .....	402 in. (1021.1 cm)
<b>Dry Weight</b> .....	1,091 lbs (495 kg)
<b>Filled Weight (Spa Volume)</b> .....	6,679 lbs (3,030 kg)
<b>Filled Weight (Average Fill)</b> .....	5,261 lbs (2,386 kg)
<b>Water Capacity (Spa Volume)</b> .....	670 US gallons (2,536 Liters)
<b>Water Capacity (Average Fill)</b> .....	500 US gallons (1,893 Liters)
<b>Electronic Controls</b> .....	ProTouch™ 2 LCD control panel, user interface displays temperature, time, cycles and fingertip jet control. Offers customizing of pre-programmed filtration cycles, heating modes and water temperature setting.
<b>Pump 1</b> .....	North America (60 Hz): 1-Speed, 5.1 HP break, 2.5 HP continuous, 56 Frame
<b>Export (50 Hz):</b> .....	<b>1-Speed, 2.0 HP continuous</b>
<b>Pump 2</b> .....	North America (60 Hz): 1-Speed, 5.1 HP break, 2.5 HP continuous, 56 Frame
<b>Export (50 Hz):</b> .....	<b>1-Speed, 2.0 HP continuous</b>
<b>Pump 3</b> .....	North America (60 Hz): 1-Speed, 5.1 HP break, 2.5 HP continuous, 56 Frame
<b>Export (50 Hz):</b> .....	<b>1-Speed, 2.0 HP continuous</b>
<b>Circulation Pump</b> .....	Yes, 8-Hour
<b>Total PowerPro® Jets</b> .....	71
<b>Seat A Jets</b> .....	2 PowerPro® NX2, 2 PowerPro® FX, 5 PowerPro® RX
<b>Seat B Jets</b> .....	1 PowerPro® FX Large Rotational
<b>Seat C Jets</b> .....	2 PowerPro® NX2, 6 PowerPro® RX, 2 PowerPro® FX Directional, 2 PowerPro® PX, 4 PowerPro® FX
<b>Seat D Jets</b> .....	2 PowerPro® FX Large Rotational
<b>Seat E Jets</b> .....	2 PowerPro® NX2, 4 PowerPro® FX Rotational, 6 PowerPro® FX, 2 PowerPro® PX, 2 PowerPro® FX Directional
<b>Seat F Jets</b> .....	4 PowerPro® FX, 4 PowerPro® RX
<b>Seat G Jet</b> .....	2 PowerPro® NX2, 3 PowerPro® MX
<b>Footwell (H)</b> .....	14 PowerPro® FX Small
<b>Massage Selectors</b> .....	2
<b>Air Controls</b> .....	5
<b>Water Management System</b> .....	One ProClarity® 40 ft <sup>2</sup> filter cartridge and 1 ProClarity® depth load filter on 8-hour circulation pump; one ProCatch® bag with ProClear® 60 ft filter; Floating Weir; Factory installed CLEARRAY Active Oxygen™ Clean Water System
<b>Export (50 Hz):</b> .....	<b>Factory installed CLEARRAY Active Oxygen™ Clean Water System</b>
<b>LED Lighting</b> .....	Waterfall light, massage selectors, cupholders, underwater, indicator light, and exterior lights (standard)
<b>ProFinish™ Cabinet Colors</b> .....	Modern Hardwood, Brushed Gray, and Smoked Ebony
<b>Acrylic Colors</b> .....	Platinum, Silver Pearl, Midnight, Monaco, Porcelain
<b>Headrests</b> .....	4
<b>Waterfalls</b> .....	Two with independent flow rate (on or off) adjustment; powered by 8-hour circulation pump
<b>Electrical Requirements:</b> .....	North America (60 Hz): 240 VAC@50A or 60A <b>Export (50 Hz): 230-240 VAC@ 1x32A, 1x40A, 1x32A/1x16A, 1x16A/1x16A/1x16A or suitably rated circuit breaker to comply with local electrical codes. Certain countries may require dual power inputs; two GFCI RCD breakers are required for this configuration.</b>
<b>Warranty*</b> .....	North America (60 Hz): 10 Years Shell, 7 Years Shell Surface, 5 Years Plumbing Component Leaks, 5 Years Equipment and Controls, 5 Years Cabinet, 2 Years Jets, 2 Years Lights, 1 Year Stereo; <b>Export (50 Hz): 10 Years Shell, 7 Years Shell Surface, 5 Years Plumbing Component Leaks, 5 Years Equipment and Controls, 5 Years Cabinet, 2 Years Jets, 2 Years Lights, 2 Years Stereo</b>
<b>Special Features (Optional)</b> .....	SmartTub® Module
<b>Audio System (Optional)</b> .....	BLUEWAVE® Spa Stereo System with Bluetooth capability and Aux 3.5 mm headphone jack port; 4 premium speakers, a powered subwoofer

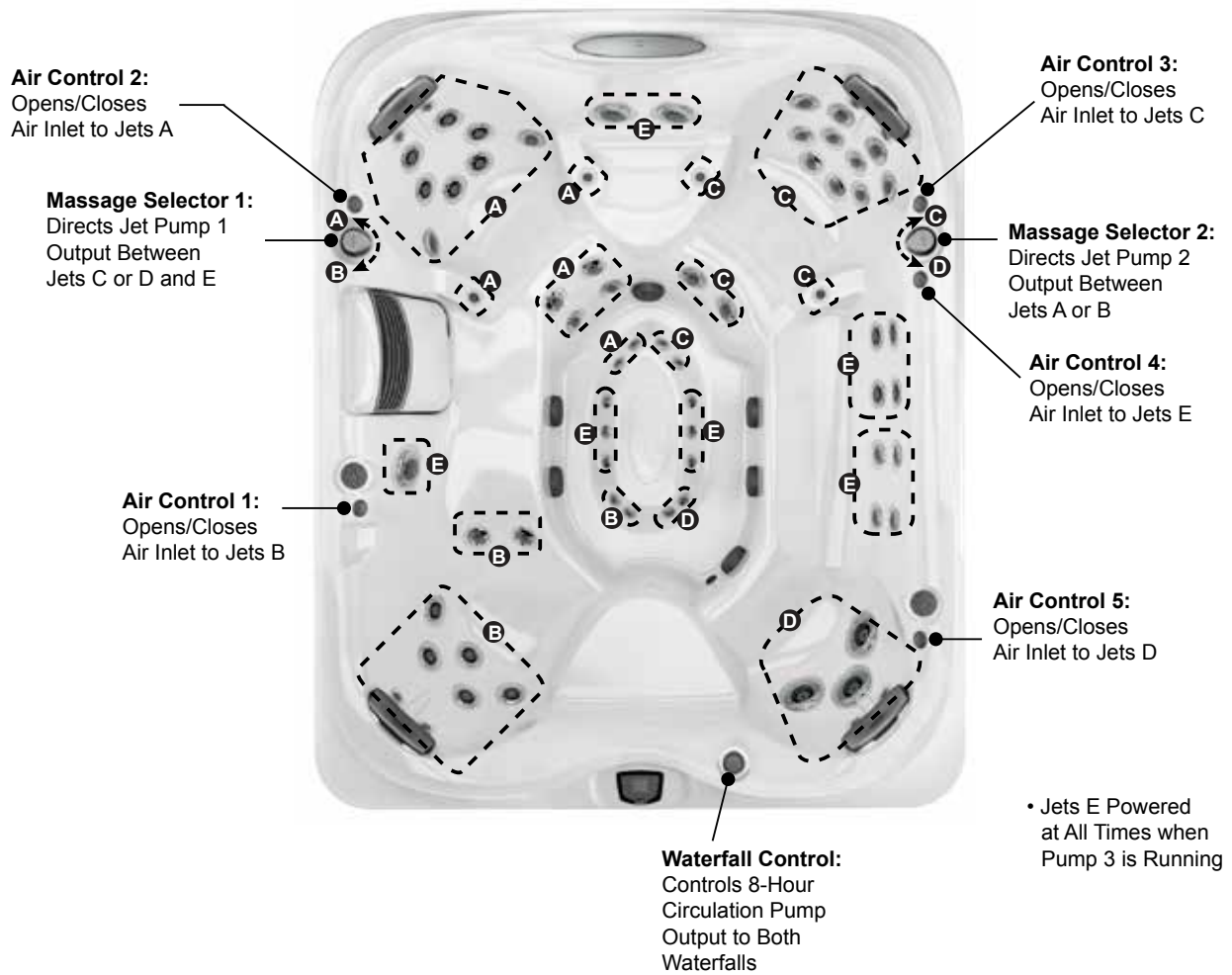


\*(See Warranty Document for Specific Details)

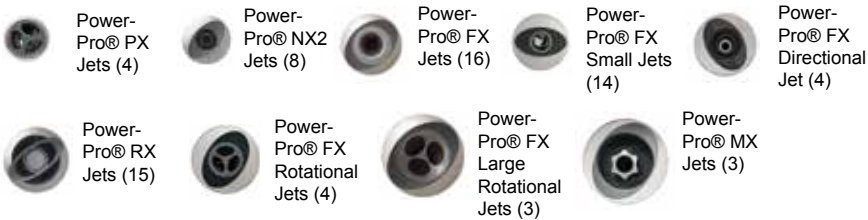
Dimensions/Specifications are Subject to Change Without Notice

# Jacuzzi J-495

## Operation/Seat Depths



### 71 Total Jets



Spa Operation Subject to Change without Notice

## Seat Depths

- A = 27.75" (70.49 cm)**
- B = 18.75" (47.63 cm)**
- C = 29.00" (73.66 cm)**
- D = 19.00" (73.03 cm)**
- E = 27.00" (68.58 cm)**
- F = 23.00" (58.42 cm)**

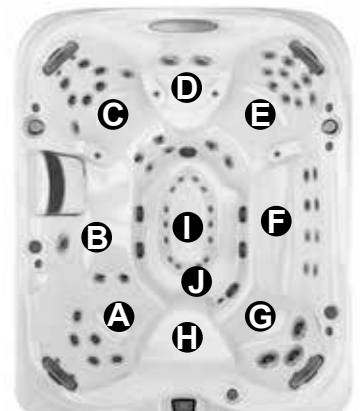
- G = 25.50" (64.77 cm)**
- H = 17.75" (45.09 cm)**
- I = 30.75" (78.11 cm)**
- J = 33.00" (83.82 cm)**

Listed dimensions represent distance from top of acrylic to lowest point in seat. **Tolerance ± 0.5" (1.27 cm).**



Front

Back



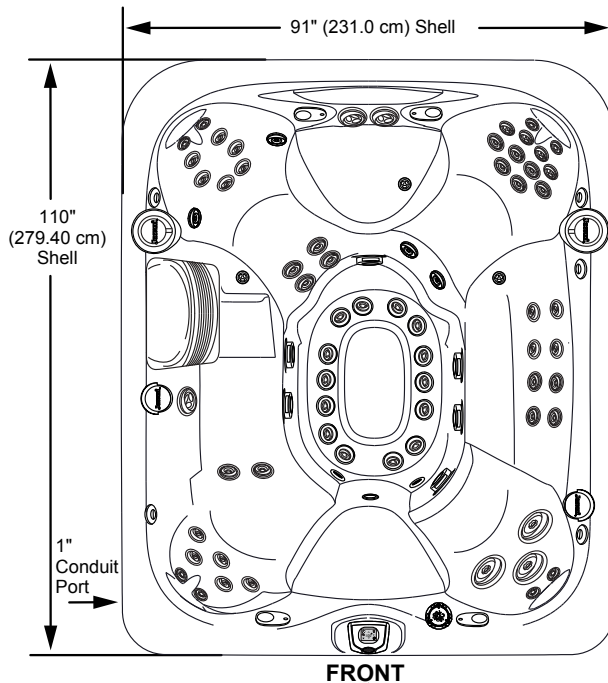
Dimensions/Specifications are Subject to Change Without Notice



# Jacuzzi J-495

## Dimensions

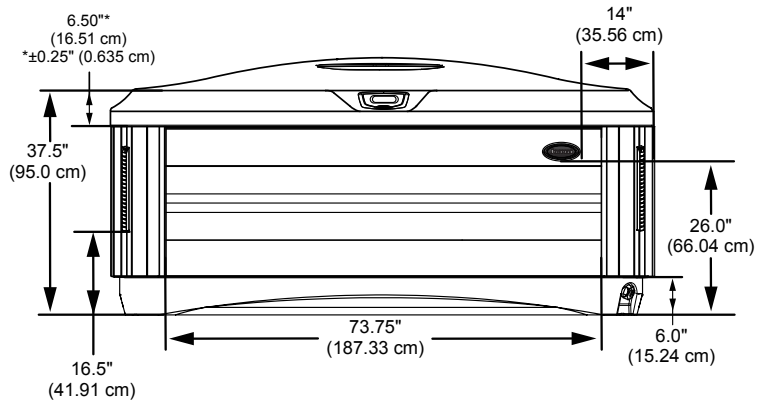
TOP VIEW



Equipment Bay/Pump Access  
CLEARRAY, Optional BLUEWAVE®,  
and Optional SmartTub System  
located behind the cabinet

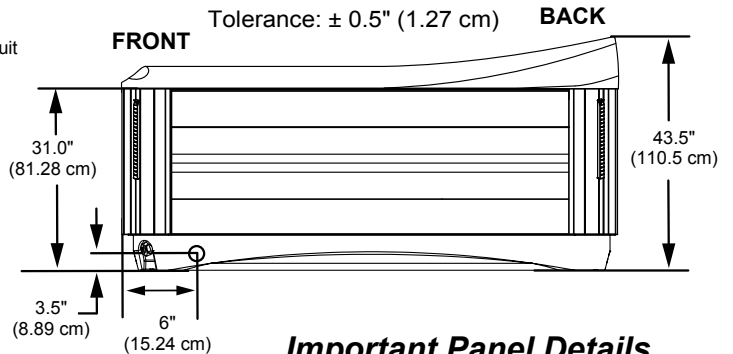
FRONT VIEW

Tolerance:  $\pm 0.5"$  (1.27 cm)



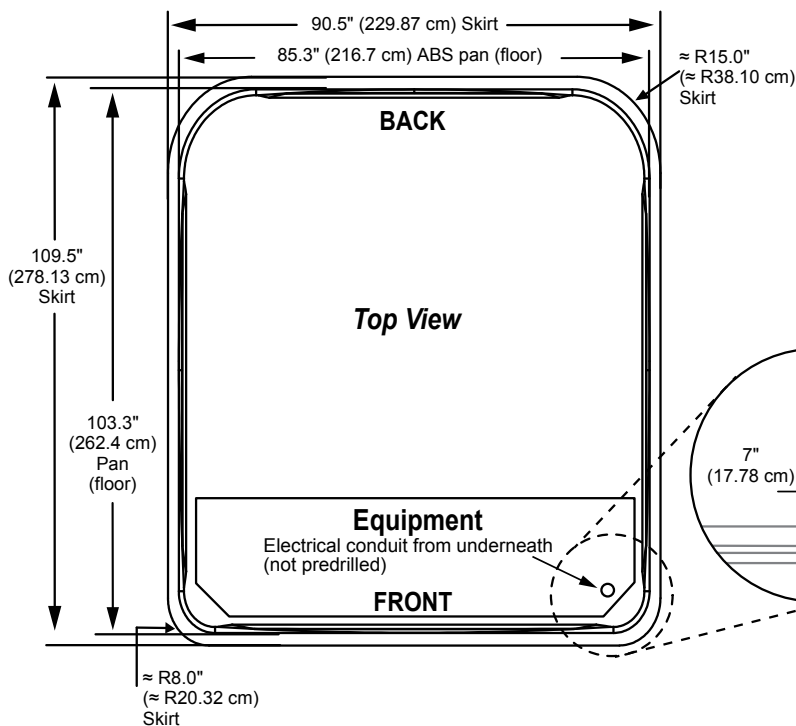
RIGHT SIDE VIEW

Tolerance:  $\pm 0.5"$  (1.27 cm)



### Important Panel Details

**NOTE:** Over time the panel(s) may bow, this is considered normal. The panels will straighten out when reinstalled into the mounting channel. Place one end of the panel into the channel first then flatten the panel and insert the other end.



Dimensions/specifications subject to change without notice. Tolerance  $\pm 0.5"$  (1.27 cm)



**IMPORTANT!** Always measure each hot tub for exact dimensions **BEFORE** designing its foundational support and/or decking.



# Jacuzzi J-485

## Specifications

<b>Seating Capacity</b> .....	6-7 Adults
<b>Dimensions</b> .....	91" x 91" x 37.5" Front/43.5" Back, (231.14 cm x 231.14 cm x 95.25 cm Front/110.5 cm Back); <b>For complete dimensions, See page 85</b>
<b>Perimeter</b> .....	364 in. (924.6 cm)
<b>Dry Weight</b> .....	916 lbs (415 kg)
<b>Filled Weight (Average Fill)</b> .....	4,544 lbs (2,061 kg)
<b>Water Capacity (Average Fill)</b> .....	435 US gallons (1,647 Liters)
<b>Filled Weight (Spa Volume)</b> .....	5,336 lbs (2,421 kg)
<b>Water Capacity (Spa Volume)</b> .....	530 US gallons (2,006 Liters)
<b>Electronic Controls</b> .....	ProTouch™ 2 LCD control panel, user interface displays temperature, time, cycles and fingertip jet control. Offers customizing of pre-programmed filtration cycles, heating modes and water temperature setting.
<b>Pump 1</b> .....	North America (60 Hz): 1-Speed, 5.1 HP break, 2.5 HP continuous, 56 Frame
<b>Export (50 Hz):</b> .....	<b>1-Speed, 2.0 HP continuous</b>
<b>Pump 2</b> .....	North America (60 Hz): 1-Speed, 5.1 HP break, 2.5 HP continuous, 56 Frame
<b>Export (50 Hz):</b> .....	<b>1-Speed, 2.0 HP continuous</b>
<b>Circulation Pump</b> .....	Yes, 8-Hour
<b>Total PowerPro® Jets</b> .....	49
<b>Seat A Jets</b> .....	2 PowerPro® NX2, 3 PowerPro® MX
<b>Seat B Jets</b> .....	2 PowerPro® NX2, 6 PowerPro® RX
<b>Seat C Jets</b> .....	2 PowerPro® FX Large
<b>Seat D Jets</b> .....	2 PowerPro® NX2, 4 PowerPro® FX Rotational, 6 PowerPro® FX, 2 PowerPro® PX
<b>Seat E Jets</b> .....	2 PowerPro® RX, 2 PowerPro® FX
<b>Seat F Jets</b> .....	4 PowerPro® FX, 1 PowerPro® FX Large Rotational, 2 PowerPro® FX Rotational
<b>Footwell (G)</b> .....	8 PowerPro® FX Small, 1 PowerPro® FX Large
<b>Massage Selectors</b> .....	2
<b>Air Controls</b> .....	4, On/Off rocker switch, air controller
<b>Water Management System</b> .....	One ProClarity® 40 ft <sup>2</sup> filter cartridge and 1 ProClarity® depth load filter on 8-hour circulation pump; one ProCatch® bag with ProClear® 60 ft <sup>2</sup> filter; Floating Weir; Factory installed CLEARARRAY Active Oxygen™ Clean Water System
<b>Export (50 Hz):</b> .....	<b>Factory installed CLEARARRAY Active Oxygen™ Clean Water System</b>
<b>LED Lighting</b> .....	Waterfall light, massage selectors, cupholders, underwater, indicator light, and exterior lights (standard)
<b>ProFinish™ Cabinet Colors</b> .....	Modern Hardwood, Brushed Gray, and Smoked Ebony
<b>Acrylic Colors</b> .....	Platinum, Silver Pearl, Midnight, Monaco, Porcelain
<b>Headrests</b> .....	4
<b>Waterfall</b> .....	One with independent flow rate (on or off) adjustment; powered by 8-hour circulation pump
<b>Electrical Requirements:</b> .....	North America (60 Hz): 240 VAC@40A, 50A, or 60A <b>Export (50 Hz): 230-240 VAC@ 1x32A, 1x20A/1x16A, 1x16A/1x16A/1x16A or suitably rated circuit breaker to comply with local electrical codes. Certain countries may require dual power inputs; two GFCI RCD breakers are required for this configuration.</b>
<b>Warranty*</b> .....	North America (60 Hz): 10 Years Shell, 7 Years Shell Surface, 5 Years Plumbing Component Leaks, 5 Years Equipment and Controls, 5 Years Cabinet, 2 Years Jets, 2 Years Lights, 1 Year Stereo; <b>Export (50 Hz): 10 Years Shell, 7 Years Shell Surface, 5 Years Plumbing Component Leaks, 5 Years Equipment and Controls, 5 Years Cabinet, 2 Years Jets, 2 Years Lights, 2 Years Stereo</b>
<b>Special Features (Optional)</b> .....	SmartTub® Module
<b>Audio System (Optional)</b> .....	BLUEWAVE® Spa Stereo System with Bluetooth capability and Aux 3.5 mm headphone jack port; 4 premium speakers, a powered subwoofer

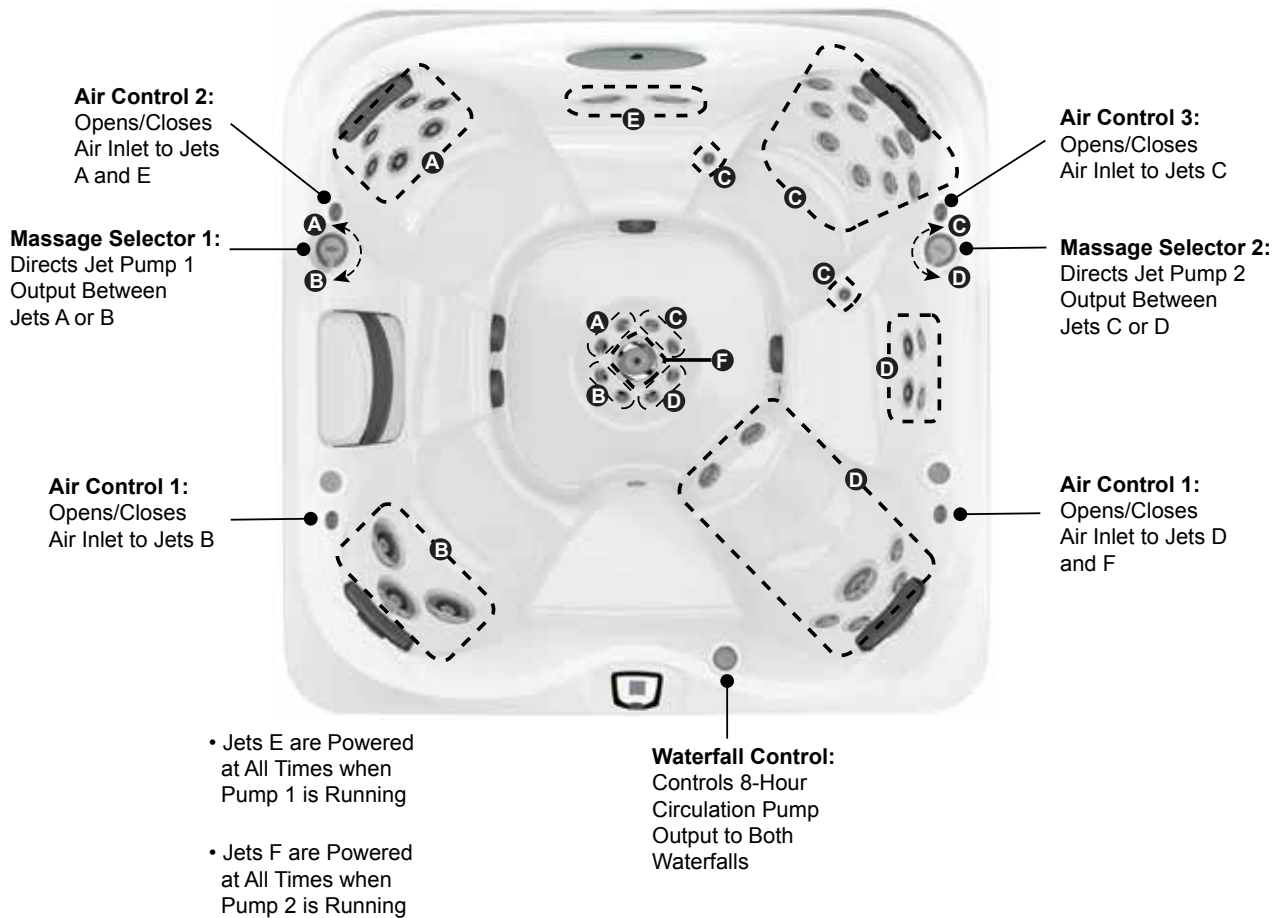


\*(See Warranty Document for Specific Details)

Dimensions/Specifications are Subject to Change Without Notice

# Jacuzzi J-485

## Operation/Seat Depths



### 49 Total Jets

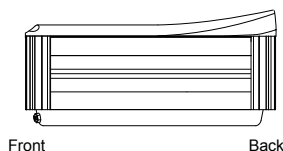


Spa Operation Subject to Change without Notice

## Seat Depths

**A = 25.25" (64.14 cm)**  
**B = 23.00" (58.42 cm)**  
**C = 29.50" (74.93 cm)**  
**D = 23.25" (59.06 cm)**  
**E = 29.25" (74.30 cm)**  
**F = 21.00" (53.34 cm)**

**G = 27.38" (69.55 cm)**  
**H = 17.25" (43.82 cm)**  
**I = 32.50" (82.55 cm)**



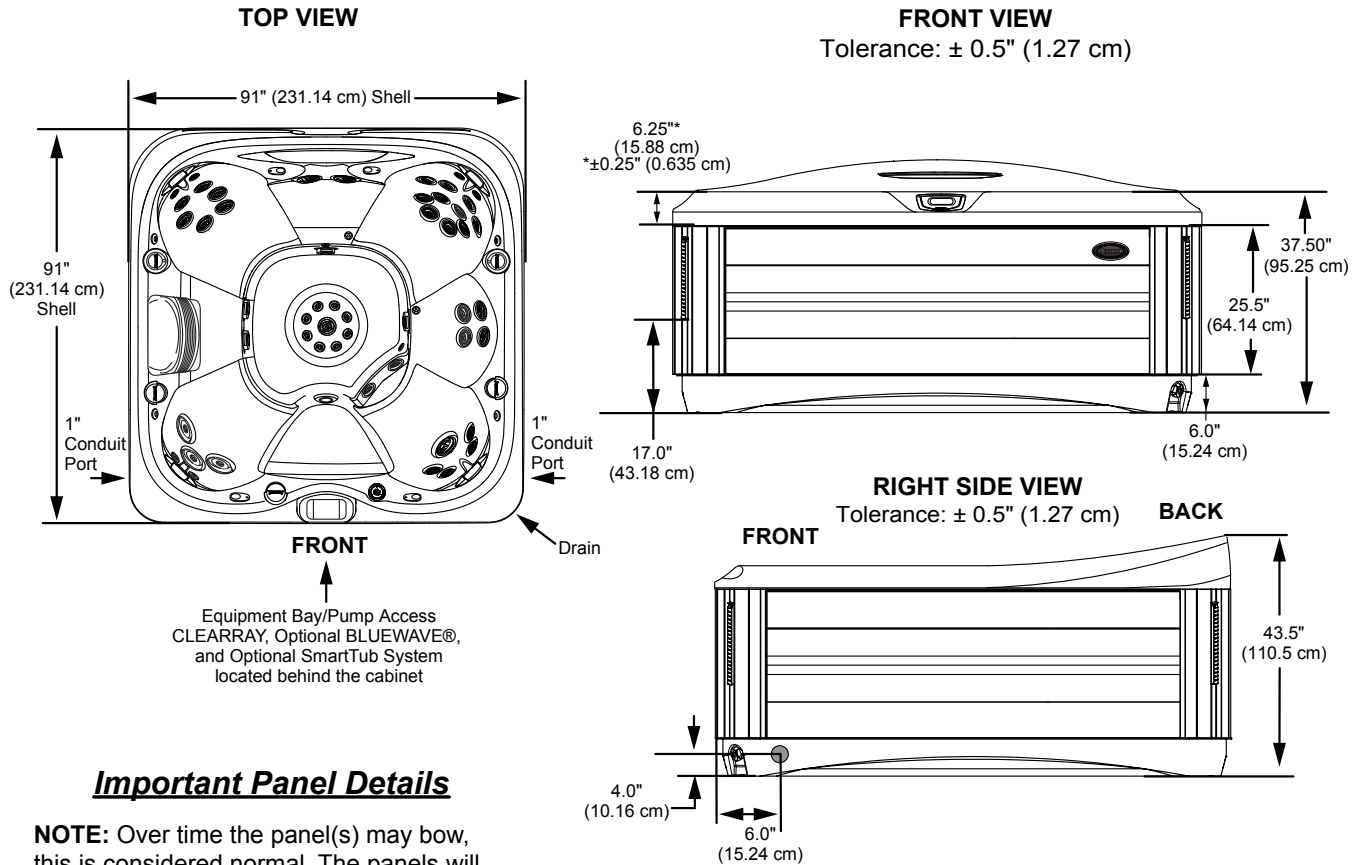
Listed dimensions represent distance from top of acrylic to lowest point in seat.  
**Tolerance ± 0.5" (1.27 cm).**



Dimensions/Specifications are Subject to Change Without Notice

# Jacuzzi J-485

## Dimensions

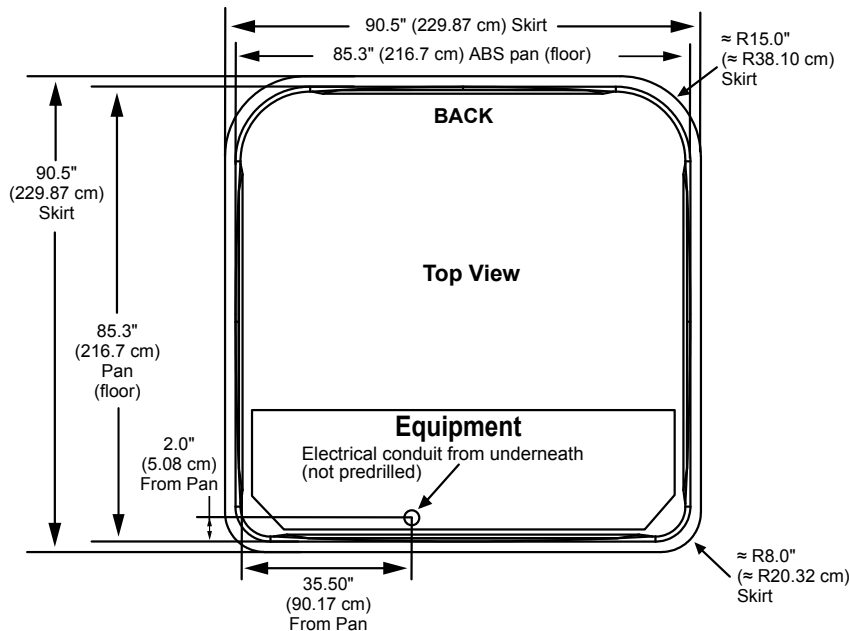


### Important Panel Details

**NOTE:** Over time the panel(s) may bow, this is considered normal. The panels will straighten out when reinstalled into the mounting channel. Place one end of the panel into the channel first then flatten the panel and insert the other end.



**IMPORTANT!** Always measure each hot tub for exact dimensions **BEFORE** designing its foundational support and/or decking.

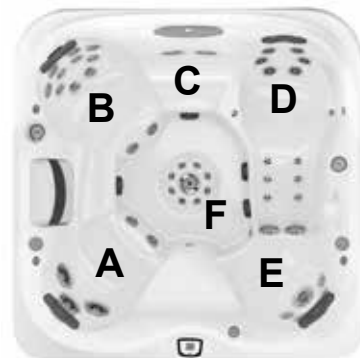


Dimensions/specifications subject to change without notice. Tolerance ±0.5" (1.27 cm)

# Jacuzzi J-475

## Specifications

<b>Seating Capacity</b> .....	6-7 Adults
<b>Dimensions</b> .....	91" x 91" x 37.5" Front/43.5" Back, (231.14 cm x 231.14 cm x 95.25 cm Front/110.5 cm Back); <b>For Complete Dimensions, See page 85</b>
<b>Perimeter</b> .....	364 in. (924.6 cm)
<b>Dry Weight</b> .....	925 lbs (419.5 kg)
<b>Filled Weight (Average Fill)</b> .....	4,595 lbs (2,084 kg)
<b>Water Capacity (Average Fill)</b> .....	440 US gallons (1,666 Liters)
<b>Filled Weight (Spa Volume)</b> .....	5,387 lbs (2,444 kg)
<b>Water Capacity (Spa Volume)</b> .....	535 US gallons (2,025 Liters)
<b>Electronic Controls</b> .....	ProTouch™ 2 LCD control panel, user interface displays temperature, time, cycles and fingertip jet control. Offers customizing of pre-programmed filtration cycles, heating modes and water temperature setting.
<b>Pump 1</b> .....	North America (60 Hz): 1-Speed, 5.1 HP break, 2.5 HP continuous, 56 Frame
<b>Export (50 Hz):</b> .....	<b>1-Speed, 2.0 HP continuous</b>
<b>Pump 2</b> .....	North America (60 Hz): 1-Speed, 5.1 HP break, 2.5 HP continuous, 56 Frame
<b>Export (50 Hz):</b> .....	<b>1-Speed, 2.0 HP continuous</b>
<b>Circulation Pump</b> .....	Yes, 8-Hour
<b>Total PowerPro® Jets</b> .....	55
<b>Seat A Jets</b> .....	2 PowerPro® NX2, 3 PowerPro® MX, 2 PowerPro® FX Rotational
<b>Seat B Jets</b> .....	2 PowerPro® NX2, 6 PowerPro® FX Rotational, 6 PowerPro® FX
<b>Seat C Jets</b> .....	2 PowerPro® FX Large
<b>Seat D Jets</b> .....	2 PowerPro® NX2, 6 PowerPro® RX, 8 PowerPro® PX, 2 PowerPro® FX Large
<b>Seat E Jet</b> .....	4 PowerPro® FX, 1 PowerPro® FX Large Rotational
<b>Footwell (F)</b> .....	8 PowerPro® FX Small, 1 PowerPro® FX Large
<b>Massage Selectors</b> .....	2
<b>Air Controls</b> .....	4, On/Off rocker switch air controller
<b>Water Management System</b> .....	One ProClarity® 40 ft <sup>2</sup> filter cartridge and 1 ProClarity® depth load filter on 8-hour circulation pump; one ProCatch® bag with ProClear® 60 ft filter; Floating Weir; Factory installed CLEARARRAY Active Oxygen™ Clean Water System
<b>Export (50 Hz):</b> .....	<b>Factory installed CLEARARRAY Active Oxygen™ Clean Water System</b>
<b>LED Lighting</b> .....	Waterfall light, massage selectors, cupholders, underwater, indicator light, and exterior lights (standard)
<b>ProFinish™ Cabinet Colors</b> .....	Modern Hardwood, Brushed Gray, and Smoked Ebony
<b>Acrylic Colors</b> .....	Platinum, Silver Pearl, Monaco, Midnight, Porcelain
<b>Headrests</b> .....	4
<b>Waterfall</b> .....	One with independent flow rate (on or off) adjustment; powered by 8-hour circulation pump
<b>Electrical Requirements:</b> .....	North America (60 Hz): 240 VAC@40A, 50A, or 60A <b>Export (50 Hz): 230-240 VAC@ 1x32A, 1x20A/1x16A, 1x16A/1x16A/1x16A or suitably rated circuit breaker to comply with local electrical codes. Certain countries may require dual power inputs; two GFCI RCD breakers are required for this configuration.</b>
<b>Warranty*</b> .....	North America (60 Hz): 10 Years Shell, 7 Years Shell Surface, 5 Years Plumbing Component Leaks, 5 Years Equipment and Controls, 5 Years Cabinet, 2 Years Jets, 2 Years Lights, 1 Year Stereo; <b>Export (50 Hz): 10 Years Shell, 7 Years Shell Surface, 5 Years Plumbing Component Leaks, 5 Years Equipment and Controls, 5 Years Cabinet, 2 Years Jets, 2 Years Lights, 2 Years Stereo</b>
<b>Special Features (Optional)</b> .....	SmartTub® Module
<b>Audio System (Optional)</b> .....	BLUEWAVE® Spa Stereo System with Bluetooth capability and Aux 3.5 mm headphone jack port; 4 premium speakers, a powered subwoofer

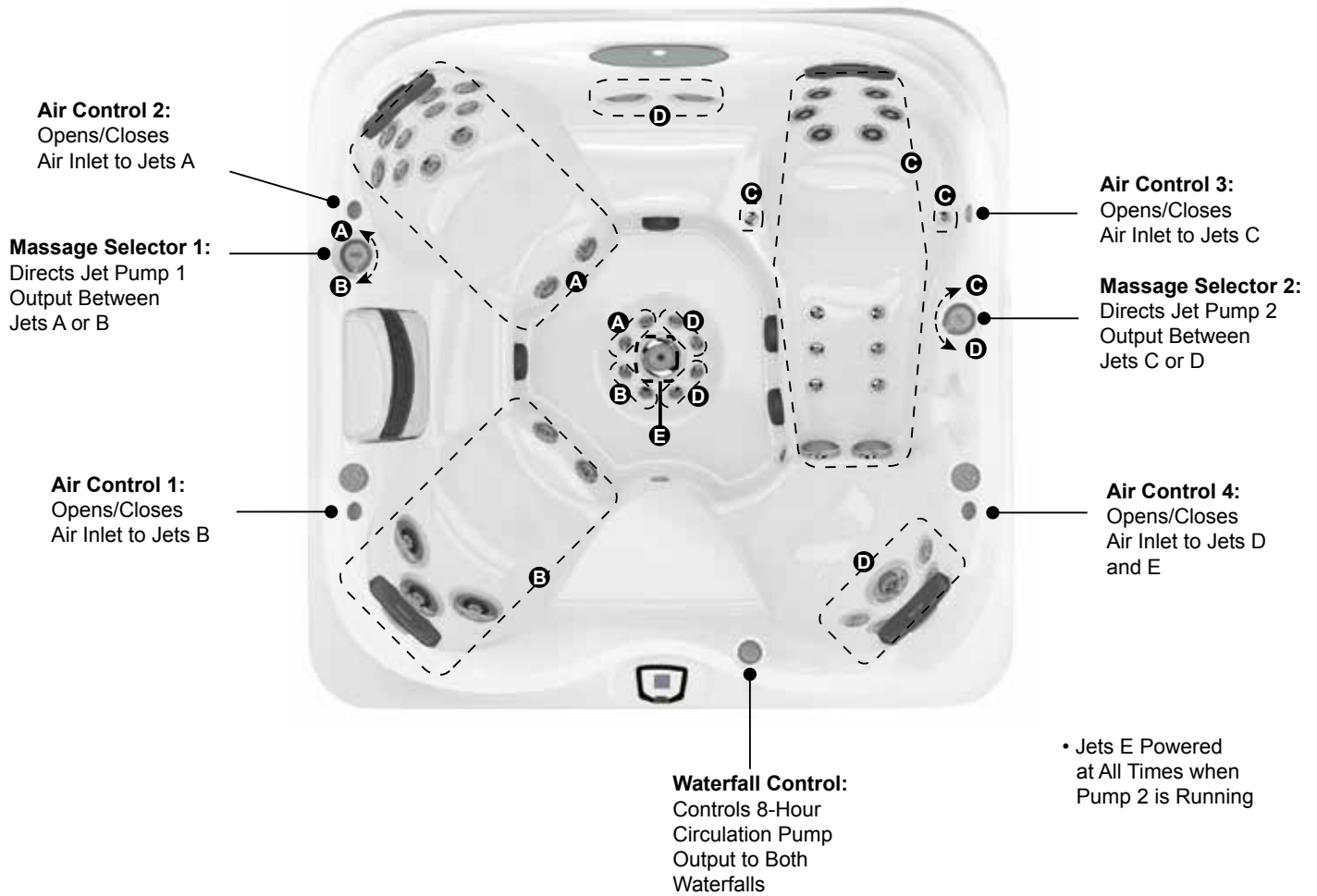


\*(See Warranty Document for Specific Details)

Dimensions/Specifications are Subject to Change Without Notice

# Jacuzzi J-475

## Operation/Seat Depths



### 55 Total Jets

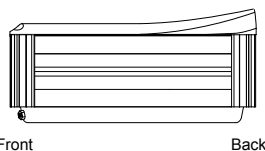


Spa Operation Subject to Change without Notice

## Seat Depths

**A = 25.25" (64.14 cm)**  
**B = 23.00" (58.42 cm)**  
**C = 29.50" (74.93 cm)**  
**D = 23.25" (59.06 cm)**  
**E = 29.25" (74.30 cm)**  
**F = 25.25" (64.14 cm)**

**G = 17.25" (43.82 cm)**  
**H = 32.50" (82.55 cm)**  
**I = 19.75" (50.17 cm)**  
**J = 28.50" (72.39 cm)**



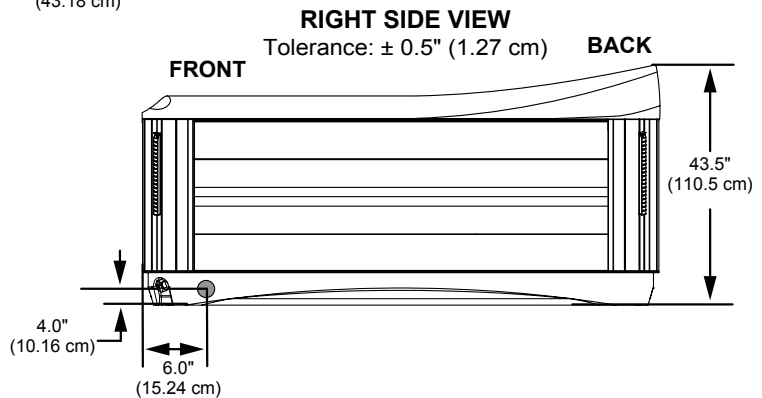
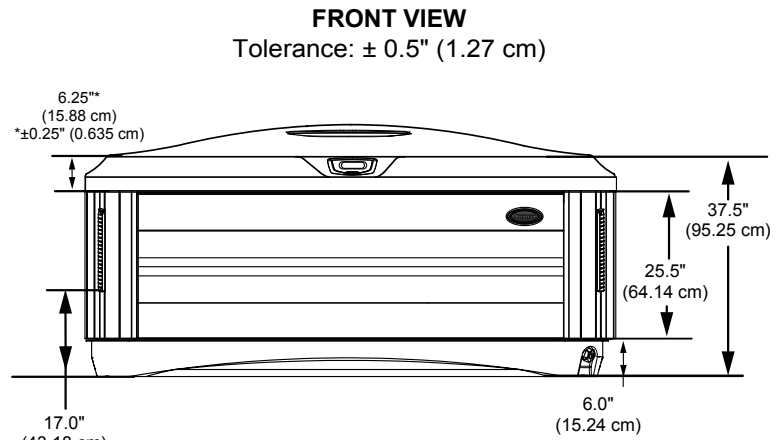
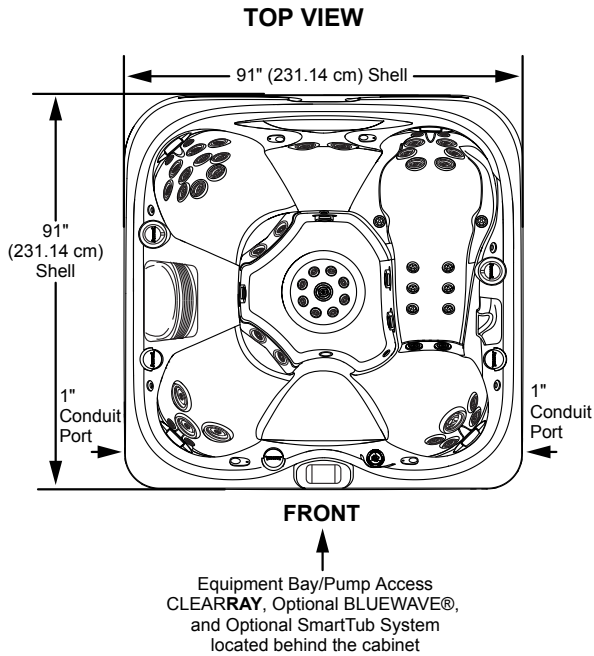
Listed dimensions  
represent distance  
from top of acrylic to  
lowest point in seat.  
**Tolerance ± 0.5"**  
(1.27 cm).



Dimensions/Specifications are Subject to Change Without Notice

# Jacuzzi J-475

## Dimensions

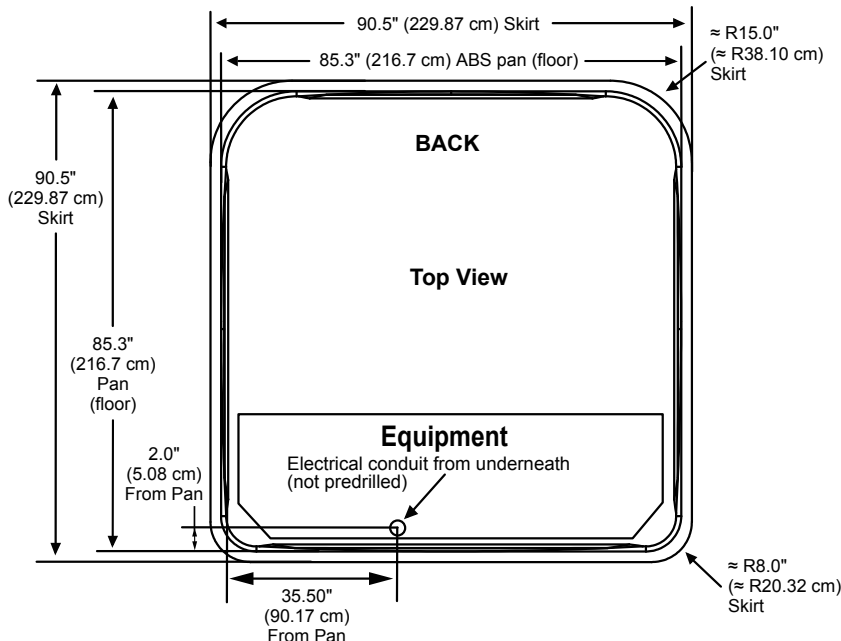


### Important Panel Details

**NOTE:** Over time the panel(s) may bow, this is considered normal. The panels will straighten out when reinstalled into the mounting channel. Place one end of the panel into the channel first then flatten the panel and insert the other end.



**IMPORTANT! Always measure each hot tub for exact dimensions BEFORE designing its foundational support and/or decking.**



Dimensions/specifications subject to change without notice. Tolerance ±0.5" (1.27 cm)

# Jacuzzi J-445

## Specifications

<b>Seating Capacity</b> .....	6 Adults
<b>Dimensions</b> .....	84" x 84" x 37.5" Front/43.5" Back, (213.5 cm x 213.5 cm x 95.25 cm Front/110.5 cm Back); <b>For Complete Dimensions, See page 85</b>
<b>Perimeter</b> .....	336 in. (853.4 cm)
<b>Dry Weight</b> .....	855 lbs (388 kg)
<b>Filled Weight (Average Fill)</b> .....	4,024 lbs (1,825 kg)
<b>Water Capacity (Average Fill)</b> .....	380 US gallons (1,438 Liters)
<b>Filled Weight (Spa Volume)</b> .....	4,525 lbs (2,052 kg)
<b>Water Capacity (Spa Volume)</b> .....	440 US gallons (1,666 Liters)
<b>Electronic Controls</b> .....	ProTouch™ 2 LCD control panel, user interface displays temperature, time, cycles and fingertip jet control. Offers customizing of pre-programmed filtration cycles, heating modes and water temperature setting.
<b>Pump 1</b> .....	North America (60 Hz): 1-Speed, 5.1 HP break, 2.5 HP continuous, 56 Frame <b>Export (50 Hz): 1-Speed, 2.0 HP continuous</b>
<b>Pump 2</b> .....	North America (60 Hz): 1-Speed, 5.1 HP break, 2.5 HP continuous, 56 Frame <b>Export (50 Hz): 1-Speed, 2.0 HP continuous</b>
<b>Circulation Pump</b> .....	Yes, 8-Hour
<b>Total PowerPro® Jets</b> .....	45
<b>Seat A Jets</b> .....	2 PowerPro® NX2, 3 PowerPro® MX
<b>Seat B Jets</b> .....	2 PowerPro® RX
<b>Seat C Jets</b> .....	2 PowerPro® FX, 6 PowerPro® RX, 2 PowerPro® FX Rotational
<b>Seat D Jets</b> .....	1 PowerPro® FX Large Rotational
<b>Seat E Jets</b> .....	2 PowerPro® NX2, 4 PowerPro® FX Rotational, 6 PowerPro® FX
<b>Seat F Jets</b> .....	4 PowerPro® FX, 1 PowerPro® FX Large Rotational, 2 PowerPro® FX Rotational
<b>Footwell (G)</b> .....	8 PowerPro® FX Small
<b>Massage Selectors</b> .....	2
<b>Air Controls</b> .....	4, On/Off rocker switch <sup>2</sup> air controller
<b>Water Management System</b> .....	One ProClarity® 40 ft <sup>2</sup> filter cartridge and 1 ProClarity® depth load filter on 8-hour circulation pump; one ProCatch® bag with ProClear® 60 ft <sup>2</sup> filter; Floating Weir; Factory installed CLEARARRAY Active Oxygen™ Clean Water System <b>Export (50 Hz): Factory installed CLEARARRAY Active Oxygen™ Clean Water System</b>
<b>LED Lighting</b> .....	One waterfall with light, one underwater light, cupholders, massage selector lights, indicator light, and exterior lights (standard)
<b>ProFinish™ Cabinet Colors</b> .....	Modern Hardwood, Brushed Gray, and Smoked Ebony
<b>Acrylic Colors</b> .....	Platinum, Silver Pearl, Monaco, Midnight, Porcelain
<b>Headrests</b> .....	4
<b>Waterfall</b> .....	One with Independent flow rate (on or off) adjustment; powered by 8-hour circulation pump
<b>Electrical Requirements:</b> .....	North America (60 Hz): 240 VAC@40A, 50A, or 60A <b>Export (50 Hz): 230-240 VAC@ 1x32A, 1x20A/1x16A, or 1x16A/1x16A/1x16A or suitably rated circuit breaker to comply with local electrical codes. Certain countries may require dual power inputs; two GFCI RCD breakers are required for this configuration.</b>
<b>Warranty*</b> .....	North America (60 Hz): 10 Years Shell, 7 Years Shell Surface, 5 Years Plumbing Component Leaks, 5 Years Equipment and Controls, 5 Years Cabinet, 2 Years Jets, 2 Years Lights, 1 Year Stereo <b>Export (50 Hz): 10 Years Shell, 7 Years Shell Surface, 5 Years Plumbing Component Leaks, 5 Years Equipment and Controls, 5 Years Cabinet, 2 Years Jets, 2 Years Lights, 2 Years Stereo</b>
<b>Special Features (Optional)</b> .....	SmartTub® Module
<b>Audio System (Optional)</b> .....	BLUEWAVE® Spa Stereo System with Bluetooth capability and Aux 3.5 mm headphone jack port; 4 premium speakers, a powered subwoofer



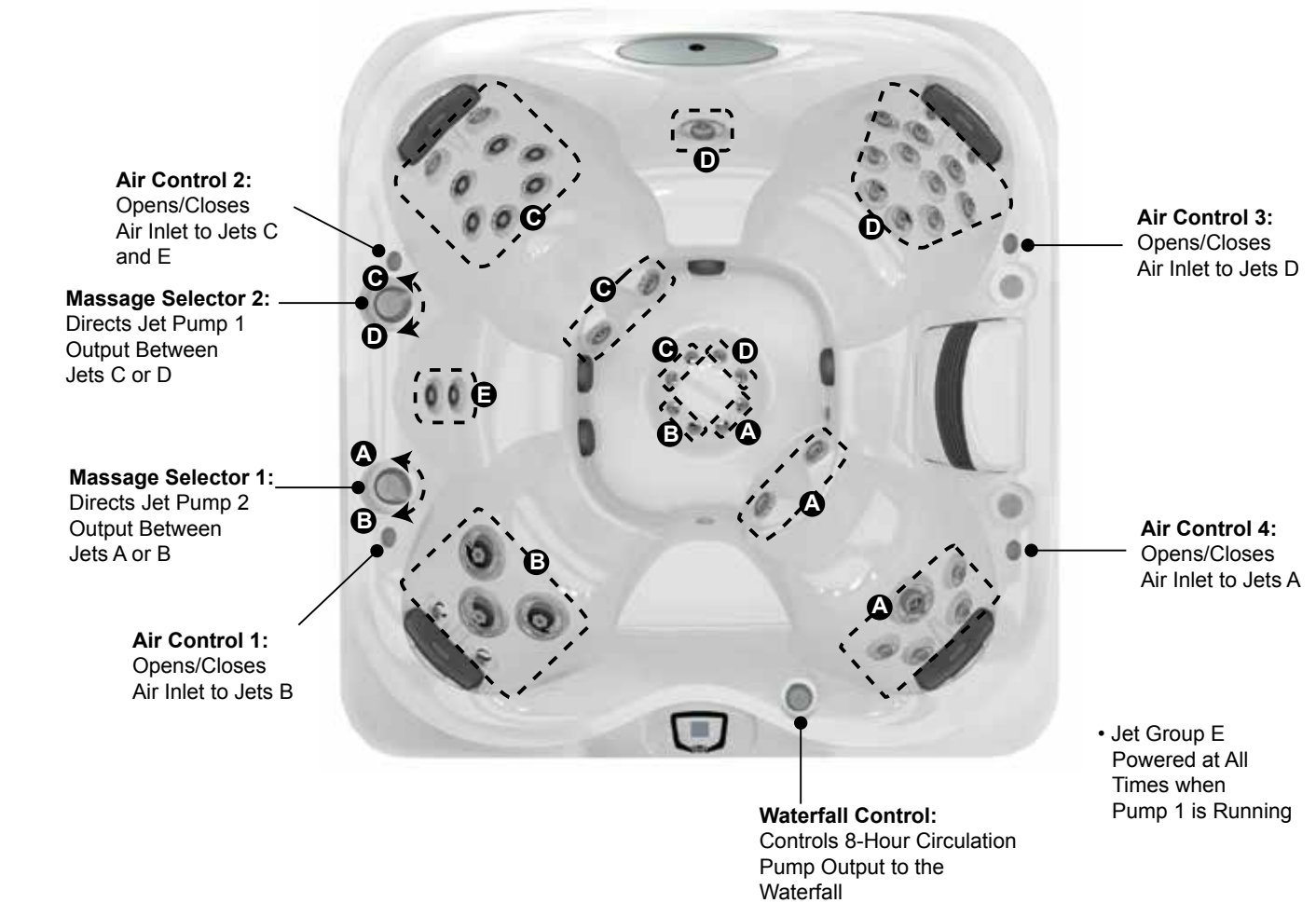
\*(See Warranty Document for Specific Details)

Dimensions/Specifications are Subject to Change Without Notice



# Jacuzzi J-445

## Operation/Seat Depths



### 45 Total Jets

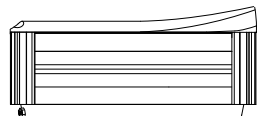


Spa Operation Subject to Change without Notice

## Seat Depths

- A = 25.50" (64.77 cm)**
- B = 21.00" (53.34 cm)**
- C = 30.00" (76.20 cm)**
- D = 23.00" (58.42 cm)**
- E = 29.00" (73.66 cm)**
- F = 23.00" (58.42 cm)**

- G = 25.50" (64.77 cm)**
- H = 18.00" (45.72 cm)**
- I = 34.00" (86.36 cm)**



Front Back

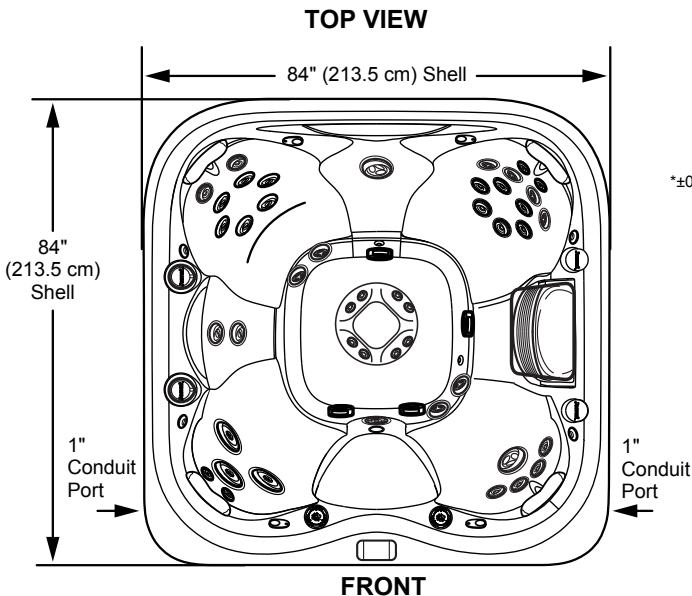
Listed dimensions represent distance from top of acrylic to lowest point in seat. Tolerance  $\pm 0.5"$  (1.27 cm).



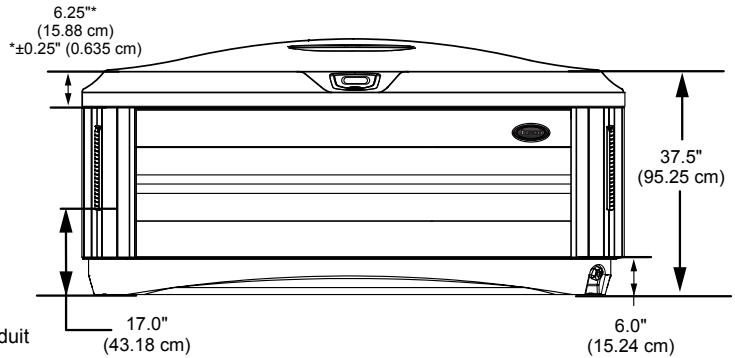
Dimensions/Specifications are Subject to Change Without Notice

# Jacuzzi J-445

## Dimensions

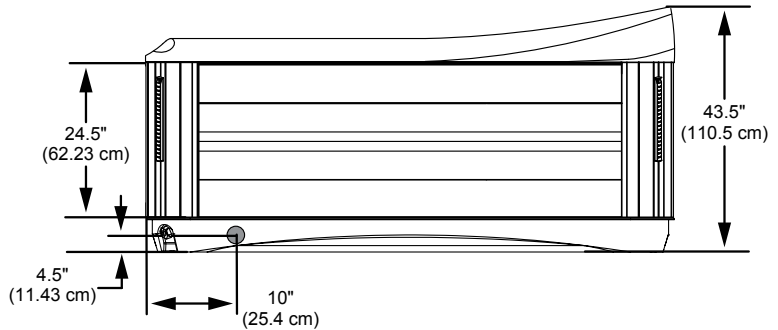


**FRONT VIEW**  
Tolerance:  $\pm 0.5"$  (1.27 cm)



Equipment Bay/Pump Access  
CLEARRAY, Optional BLUEWAVE®,  
and Optional SmartTub System  
located behind the cabinet

**RIGHT SIDE VIEW**  
Tolerance:  $\pm 0.5"$  (1.27 cm)

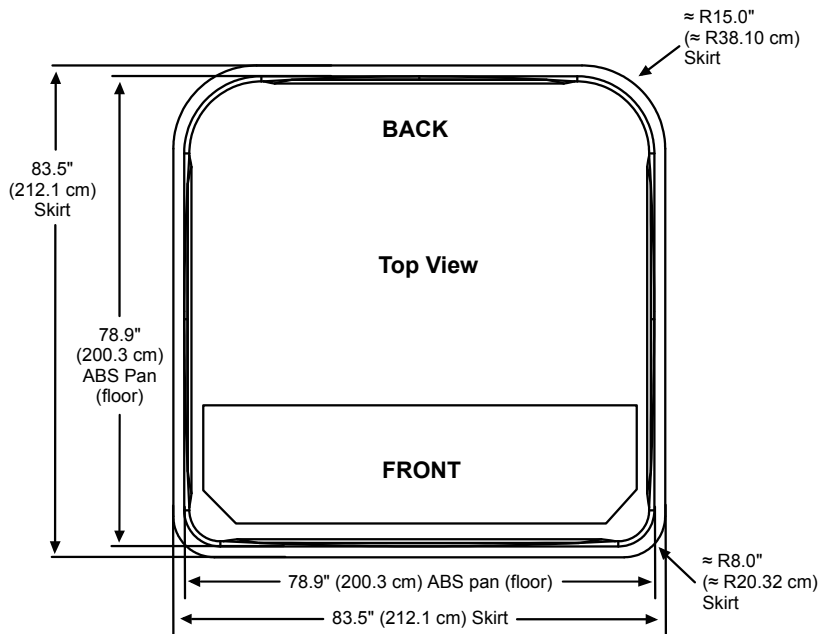


### Important Panel Details

**NOTE:** Over time the panel(s) may bow, this is considered normal. The panels will straighten out when reinstalled into the mounting channel. Place one end of the panel into the channel first then flatten the panel and insert the other end.



**IMPORTANT! Always measure each hot tub for exact dimensions BEFORE designing its foundational support and/or decking.**



Dimensions/specifications subject to change without notice. Tolerance  $\pm 0.5"$  (1.27 cm)

# Jacuzzi J-435

## Specifications

<b>Seating Capacity</b> .....	5-6 Adults
<b>Dimensions</b> .....	84" x 84" x 37.5" Front/43.5" Back, (213.5 cm x 213.5 cm x 95.25 cm Front/110.5 cm Back); <b>For Complete Dimensions, See page 85</b>
<b>Perimeter</b> .....	336 in. (853.4 cm)
<b>Dry Weight</b> .....	822 lbs (373 kg)
<b>Filled Weight (Average Fill)</b> .....	3,824 lbs (1,735 kg)
<b>Water Capacity (Average Fill)</b> .....	360 US gallons (1,363 Liters)
<b>Filled Weight (Spa Volume)</b> .....	4,492 lbs (2,037 kg)
<b>Water Capacity (Spa Volume)</b> .....	440 US gallons (1,666 Liters)
<b>Electronic Controls</b> .....	ProTouch™ 2 LCD control panel, user interface displays temperature, time, cycles and fingertip jet control. Offers customizing of pre-programmed filtration cycles, heating modes and water temperature setting.
<b>Pump 1</b> .....	North America (60 Hz): 1-Speed, 5.1 HP break, 2.5 HP continuous, 56 Frame <b>Export (50 Hz): .....1-Speed, 2.0 HP continuous</b>
<b>Pump 2</b> .....	North America (60 Hz): 1-Speed, 5.1 HP break, 2.5 HP continuous, 56 Frame <b>Export (50 Hz): .....1-Speed, 2.0 HP continuous</b>
<b>Circulation Pump</b> .....	Yes, 8-Hour
<b>Total PowerPro® Jets</b> .....	47
<b>Seat A Jets</b> .....	3 PowerPro® FX
<b>Seat B Jets</b> .....	2 PowerPro® NX2, 6 PowerPro® RX, 2 PowerPro® PX, 6 PowerPro® FX Small, 2 PowerPro® FX Rotational
<b>Seat C Jets</b> .....	1 PowerPro® FX Large Rotational
<b>Seat D Jets</b> .....	2 PowerPro® NX2, 4 PowerPro® FX Rotational, 6 PowerPro® FX
<b>Seat E Jets</b> .....	2 PowerPro® RX
<b>Seat F Jets</b> .....	2 PowerPro® NX2, 3 PowerPro® MX, 2 PowerPro® FX Rotational
<b>Footwell (G)</b> .....	4 PowerPro® FX Small
<b>Massage Selectors</b> .....	2
<b>Air Controls</b> .....	3, On/Off rocker switch air controller
<b>Water Management System</b> .....	One ProClarity® 40 ft <sup>2</sup> filter cartridge and 1 ProClarity® depth load filter on 8-hour circulation pump; one ProCatch® bag with ProClear® 60 ft filter; Floating Weir; Factory installed CLEARRAY Active Oxygen™ Clean Water System <b>Export (50 Hz): .....Factory installed CLEARRAY Active Oxygen™ Clean Water System</b>
<b>LED Lighting</b> .....	One waterfall with light, one underwater light, cupholder, massage selector lights, indicator light, and exterior lights (standard)
<b>ProFinish™ Cabinet Colors</b> .....	Modern Hardwood, Brushed Gray, and Smoked Ebony
<b>Acrylic Colors</b> .....	Platinum, Silver Pearl, Monaco, Midnight, Porcelain
<b>Headrests</b> .....	3
<b>Waterfall</b> .....	One with Independent flow rate (on or off) adjustment; powered by 8-hour circulation pump
<b>Electrical Requirements:</b> .....	North America (60 Hz): 240 VAC@40A, 50A, or 60A <b>Export (50 Hz): 230-240 VAC@ 1x32A, 1x20A/1x16A, or 1x16A/1x16A/1x16A or suitably rated circuit breaker to comply with local electrical codes. Certain countries may require dual power inputs; two GFCI RCD breakers are required for this configuration.</b>
<b>Warranty*</b> .....	North America (60 Hz): 10 Years Shell, 7 Years Shell Surface, 5 Years Plumbing Component Leaks, 5 Years Equipment and Controls, 5 Years Cabinet, 2 Years Jets, 2 Years Lights, 1 Year Stereo <b>Export (50 Hz): 10 Years Shell, 7 Years Shell Surface, 5 Years Plumbing Component Leaks, 5 Years Equipment and Controls, 5 Years Cabinet, 2 Years Jets, 2 Years Lights, 2 Years Stereo</b>
<b>Special Features (Optional)</b> .....	SmartTub® Module
<b>Audio System (Optional)</b> .....	BLUEWAVE® Spa Stereo System with Bluetooth capability and Aux 3.5 mm headphone jack port; 4 premium speakers, a powered subwoofer

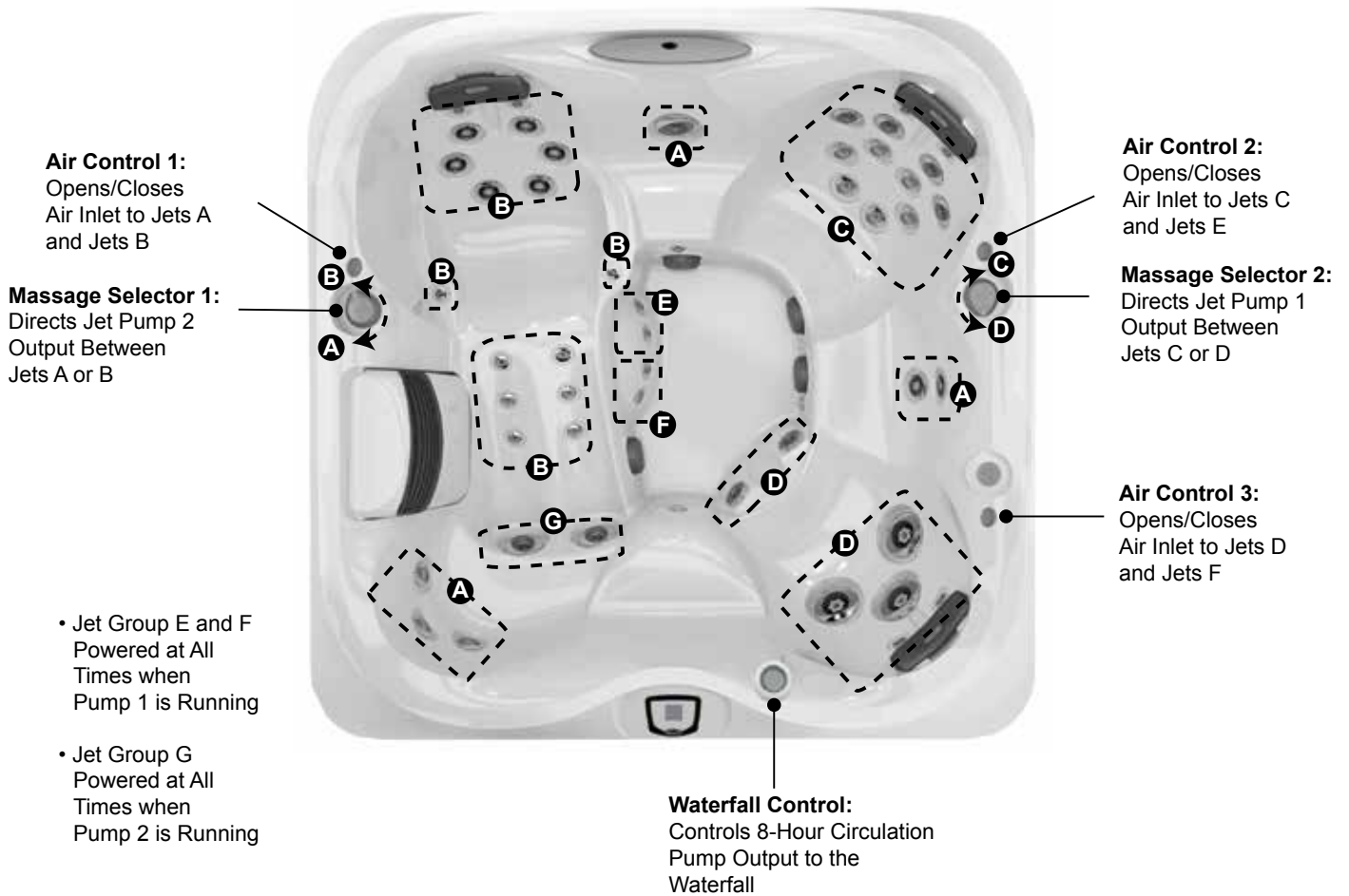


\*(See Warranty Document for Specific Details)

Dimensions/Specifications are Subject to Change Without Notice

# Jacuzzi J-435

## Operation/Seat Depths



### 47 Total Jets

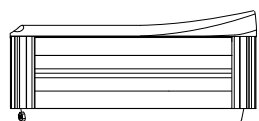


Spa Operation Subject to Change without Notice

## Seat Depths

- A = 17.75" (45.09 cm)**
- B = 27.75" (70.49 cm)**
- C = 29.00" (73.66 cm)**
- D = 23.00" (58.42 cm)**
- E = 30.00" (76.20 cm)**
- F = 23.50" (59.69 cm)**

- G = 25.50" (64.77 cm)**
- H = 33.50" (85.09 cm)**
- I = 20.50" (52.07 cm)**



Front Back

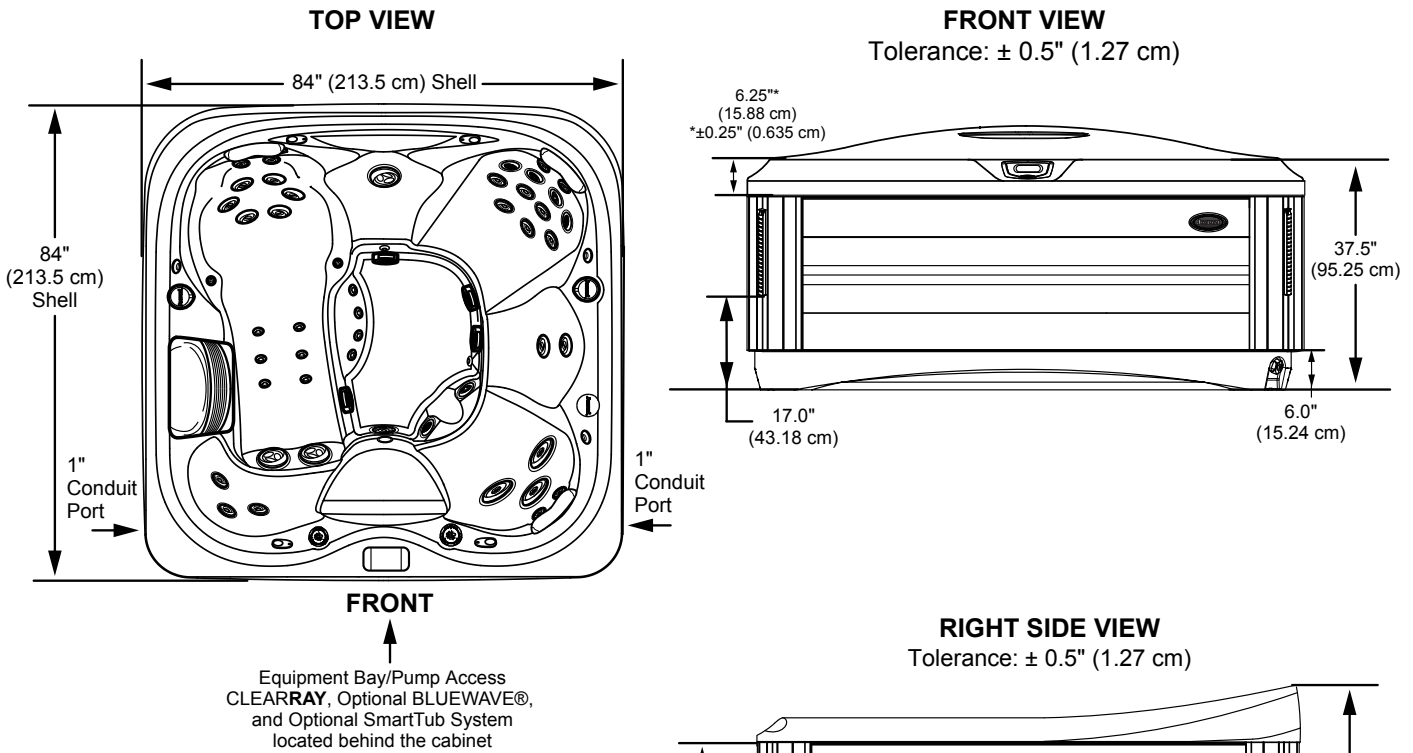
Listed dimensions represent distance from top of acrylic to lowest point in seat. Tolerance  $\pm 0.5"$  (1.27 cm).



Dimensions/Specifications are Subject to Change Without Notice

# Jacuzzi J-435

## Dimensions

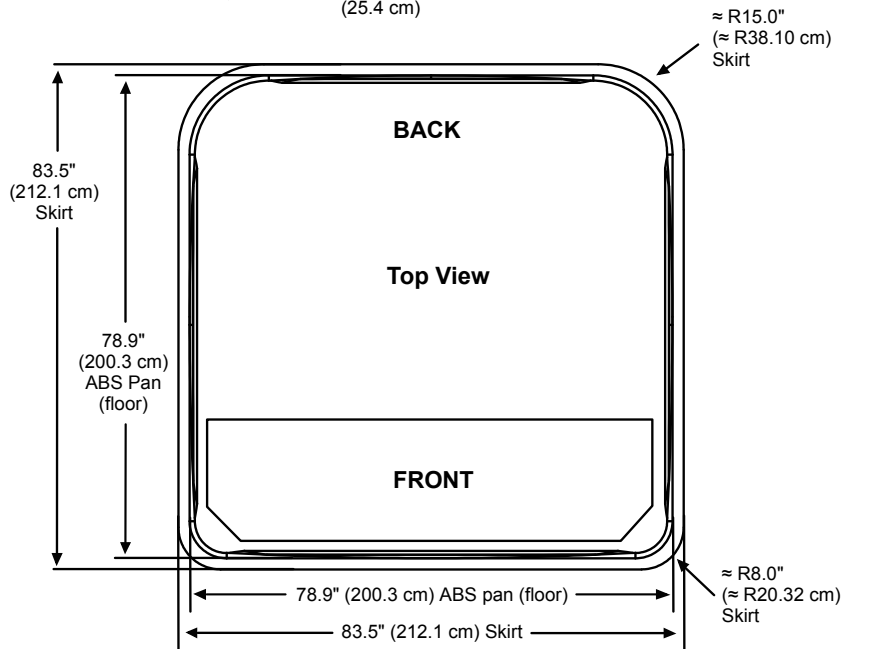


### Important Panel Details

**NOTE:** Over time the panel(s) may bow, this is considered normal. The panels will straighten out when reinstalled into the mounting channel. Place one end of the panel into the channel first then flatten the panel and insert the other end.



**IMPORTANT!** Always measure each hot tub for exact dimensions **BEFORE** designing its foundational support and/or decking.



Dimensions/specifications subject to change without notice. Tolerance  $\pm 0.5"$  (1.27 cm)

# Jacuzzi J-LXL

## Specifications

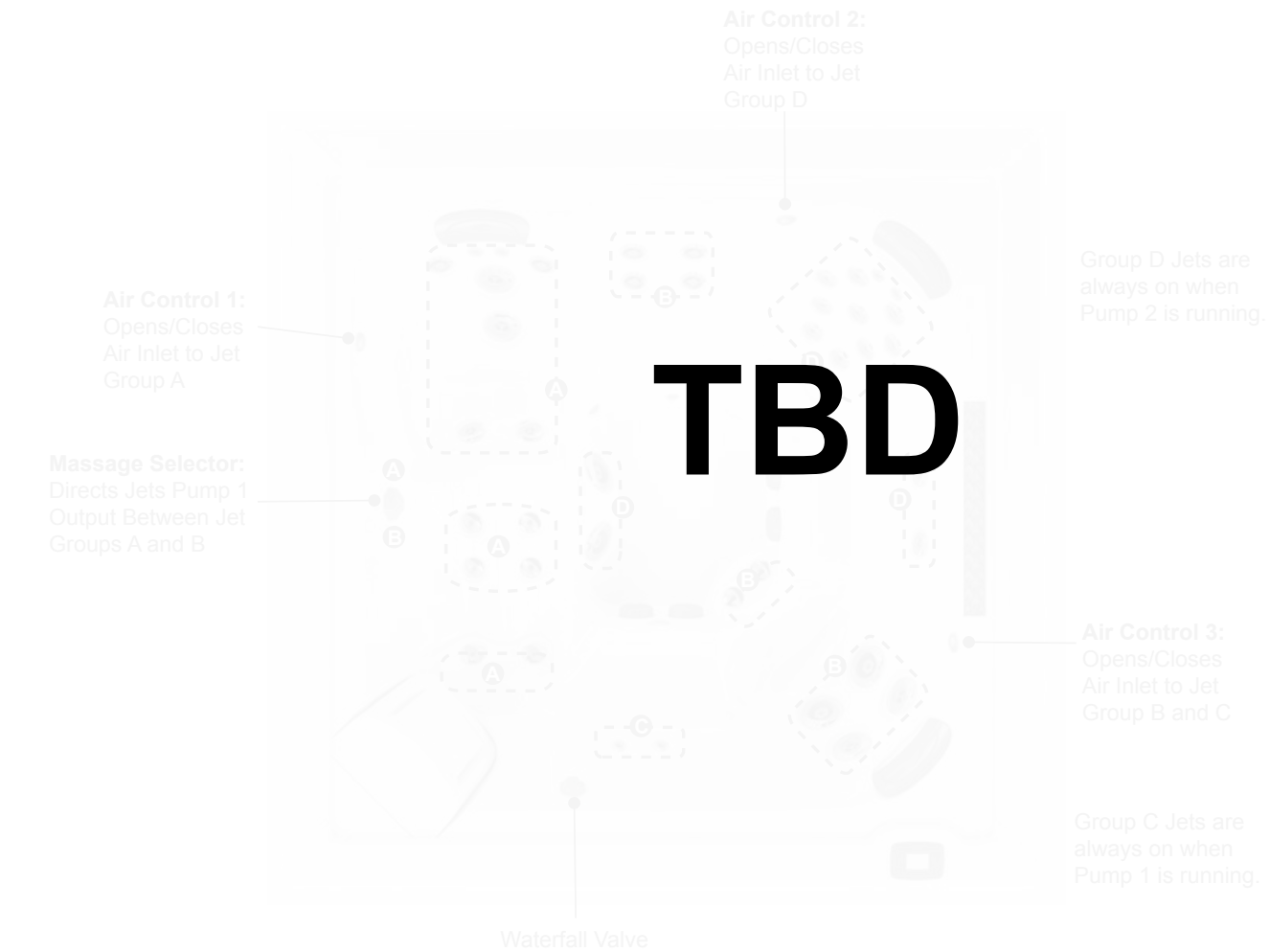
Seating Capacity.....	5-6
Dimensions .....	90" x 90" x 34" (219 cm x 219 cm x 86 cm); For complete dimensions, see page 86
Dry Weight.....	928 lbs (421 kg)
Filled Weight (Spa Volume) .....	4681 (2,123 kg)
Filled Weight (Average Fill).....	3,722 lbs (1,688 kg)
Water Capacity (Spa Volume) .....	450 US gallons (1,703 Liters)
Water Capacity (Average Fill).....	335 US gallons (1,268 Liters)
Electronic Controls .....	Solid state electronic controls with LED readout, programmable temperature, filtration, and heat cycles
Pump 1.....	North America (60 Hz): 1-Speed, 5.1 HP brake, 2.5 HP continuous, 56 Frame
Export (50 Hz): .....	2-Speed, 2.0 HP continuous, 56 Frame
Pump 2.....	North America (60 Hz): 1-Speed, 5.1 HP brake, 2.5 HP continuous, 56 Frame
Export (50 Hz): .....	1-Speed, 2.0 HP continuous, 56 Frame
Circulation Pump.....	Yes, 8-hour
Total PowerPro® Jets.....	41
Seat A Jets .....	2 PowerPro® NX2, 2 PowerPro® RX, 2 PowerPro® FX Large Rotational, 2 PowerPro® FX Rotational, 4 PowerPro® FX
Seat B Jets .....	4 PowerPro® RX
Seat C Jets .....	2 PowerPro® NX2, 9 PowerPro® FX
Seat D Jets .....	2 PowerPro® FX Rotational
Seat E Jets .....	2 PowerPro® FX Large Rotational, 2 PowerPro® MX
Seat F Jets .....	2 PowerPro® NX2
Footwell (G).....	2 PowerPro® FX, 2 PowerPro® MX
Massage Selector .....	1
Air Controls .....	3, On/Off rocker switch air controller
Water Management System .....	Two 60 ft² Filter cartridges; filter 1 on 8-hour circulation pump; filter 2 on jets pump 1; Factory installed CLEARARRAY Active Oxygen™ System
Export (50 Hz): .....	Factory installed CLEARARRAY Active Oxygen™ System
LED Lighting .....	One underwater light with 4 color modes, waterfall lights, perimeter lighting, corner rail lights, exterior corner lights
Cabinet .....	Modern Hardwood, Brushed Gray, Smoked Ebony
Acrylic Colors .....	Midnight, Porcelain
Headrests .....	3
Waterfalls .....	One; Independent flow rate (on or off) adjustment powered by pump 1
Electrical Requirements: .....	North America (60 Hz): 240 VAC@40A, 50A, or 60A Export (50 Hz): 230-240 VAC@1x32A, 1x20A/1x16A, or 1x16A/1x16A/1x16A, or suitably rated circuit breaker to comply with local electrical codes. Certain countries may require dual power inputs; two GFCI RCD breakers are required for this configuration.
Warranty* .....	North America (60 Hz): 10 Years Shell, 7 Years Shell Surface, 5 Years Plumbing Component Leaks, 5 Years Equipment and Controls, 5 Years Cabinet, 2 Years Jets, 2 Years Lights; Export (50 Hz): 10 Years Shell, 7 Years Shell Surface, 5 Years Plumbing Component Leaks, 5 Years Equipment and Controls, 5 Years Cabinet, 2 Years Jets, 2 Years Lights
Audio System (Optional).....	N/A



**TBD**

# Jacuzzi J-LXL

## Operation/Seat Depths



### 41 Total Jets



Spa Operation Subject to Change without Notice

## Seat Depths

A = 25.50" (64.77 cm)  
B = 22.50" (57.15 cm)  
C = 27.50" (69.85 cm)  
D = 21.25" (53.98 cm)  
E = 26.50" (67.31 cm)

F = 18.25" (46.36 cm)  
G = 21.75" (55.25 cm)  
H = 24.60" (62.48 cm)  
I = 31.25" (79.38 cm)

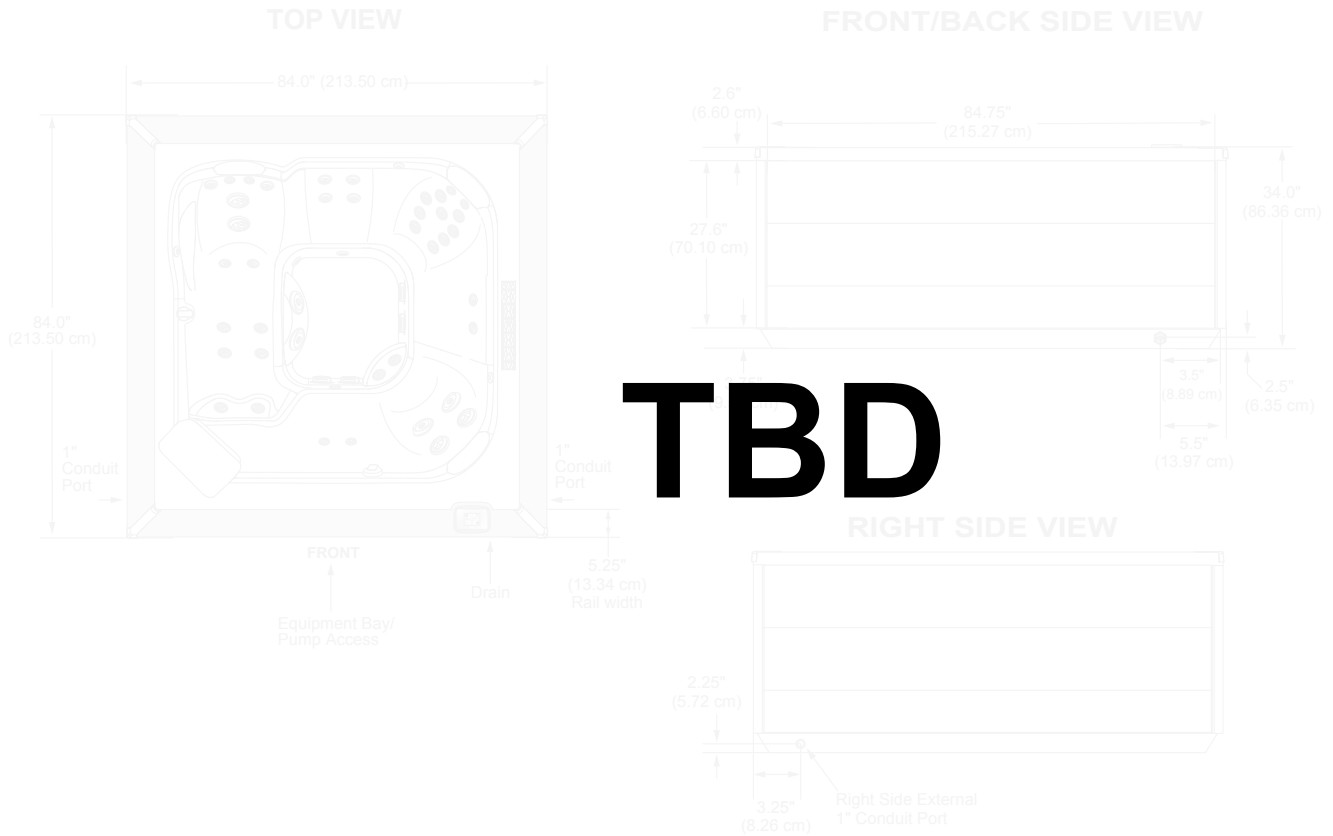
Listed dimensions  
represent distance  
from top of the deck  
to lowest point in  
seat. Tolerance  $\pm 0.5"$   
(1.27 cm).



Dimensions/Specifications are Subject to Change Without Notice

# Jacuzzi J-LXL

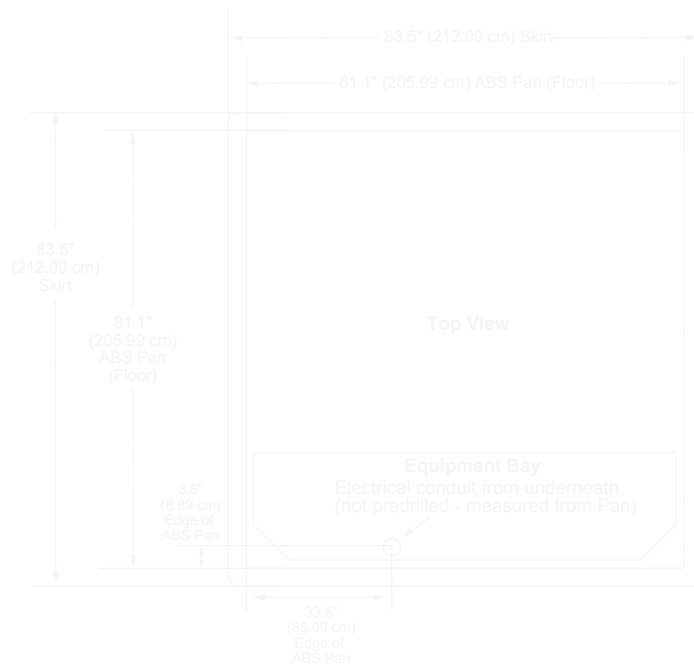
## Dimensions



**TBD**



**IMPORTANT!** Always measure each hot tub for exact dimensions **BEFORE** designing its foundational support and/or decking.



Dimensions/specifications subject to change without notice. Tolerance:  $\pm 0.5"$  (1.27 cm)

Dimensions/specifications subject to change without notice. Tolerance  $\pm 0.5"$  (1.27 cm)



# Jacuzzi J-LX

## Specifications

Seating Capacity.....	6-7
Dimensions .....	90" x 90" x 34" (229 cm x 229 cm x 86 cm); For complete dimensions, see page 86
Dry Weight.....	882 lbs (400 kg)
Filled Weight (Spa Volume) .....	4,677 lbs (2,121 kg)
Filled Weight (Average Fill).....	3,659 lbs (1,660 kg)
Water Capacity (Spa Volume).....	455 US gallons (1,722 Liters)
Water Capacity (Average Fill).....	333 US gallons (1,261 Liters)
Electronic Controls .....	Solid state electronic controls with LED readout, programmable temperature, filtration, and heat cycles
Pump 1.....	North America (60 Hz): 1-Speed, 5.1 HP brake, 2.5 HP continuous, 56 Frame
Export (50 Hz): .....	2-Speed, 2.0 HP continuous, 56 Frame
Pump 2.....	North America (60 Hz): 1-Speed, 5.1 HP brake, 2.5 HP continuous, 56 Frame
Export (50 Hz): .....	1-Speed, 2.0 HP continuous, 56 Frame
Circulation Pump.....	Yes, 8-hour
Total PowerPro® Jets.....	43
Seat A Jets .....	2 PowerPro® NX2, 2 PowerPro® RX, 2 PowerPro® FX Large Rotational, 2 PowerPro® FX
Seat B Jets .....	2 PowerPro® FX Large Rotational, 2 PowerPro® MX, 2 PowerPro® FX
Seat C Jets .....	4 PowerPro® RX
Seat D Jets .....	2 PowerPro® NX2, 11 PowerPro® FX
Seat E Jets .....	3 PowerPro® FX
Seat F Jets.....	2 PowerPro® NX2, 2 PowerPro® RX, 1 PowerPro® FX Large Rotational, 2 PowerPro® FX
Seat G Jets.....	2 PowerPro® NX2
Massage Selector .....	1
Air Controls .....	4, On/Off rocker switch air controller
Water Management System .....	Two 60 ft² Filter cartridges; filter 1 on 8-hour circulation pump; filter 2 on jets pump 1; Factory installed CLEARARRAY Active Oxygen™ System
Export (50 Hz): .....	Factory installed CLEARARRAY Active Oxygen™ System
LED Lighting .....	One underwater light with 4 color modes, waterfall lights, perimeter lighting, corner rail lights, exterior corner lights
Cabinet .....	Modern Hardwood, Brushed Gray, Smoked Ebony
Acrylic Colors .....	Midnight, Porcelain
Headrests .....	4
Waterfalls .....	One; Independent flow rate (on or off) adjustment powered by pump 1
Electrical Requirements: .....	North America (60 Hz): 240 VAC@40A, 50A, or 60A Export (50 Hz): 230-240 VAC@1x32A, 1x20A/1x16A, or 1x16A/1x16A/1x16A, or suitably rated circuit breaker to comply with local electrical codes. Certain countries may require dual power inputs; two GFCI RCD breakers are required for this configuration.
Warranty*.....	North America (60 Hz): 10 Years Shell, 7 Years Shell Surface, 5 Years for Plumbing Component Leaks, 5 Years Equipment and Controls, 5 Years Cabinet, 2 Years Jets, 2 Years Lights; Export (50 Hz): 10 Years Shell, 7 Years Shell Surface, 5 Years Plumbing Component Leaks, 5 Years Equipment and Controls, 5 Years Cabinet, 2 Years Jets, 2 Years Lights
Audio System (Optional).....	N/A



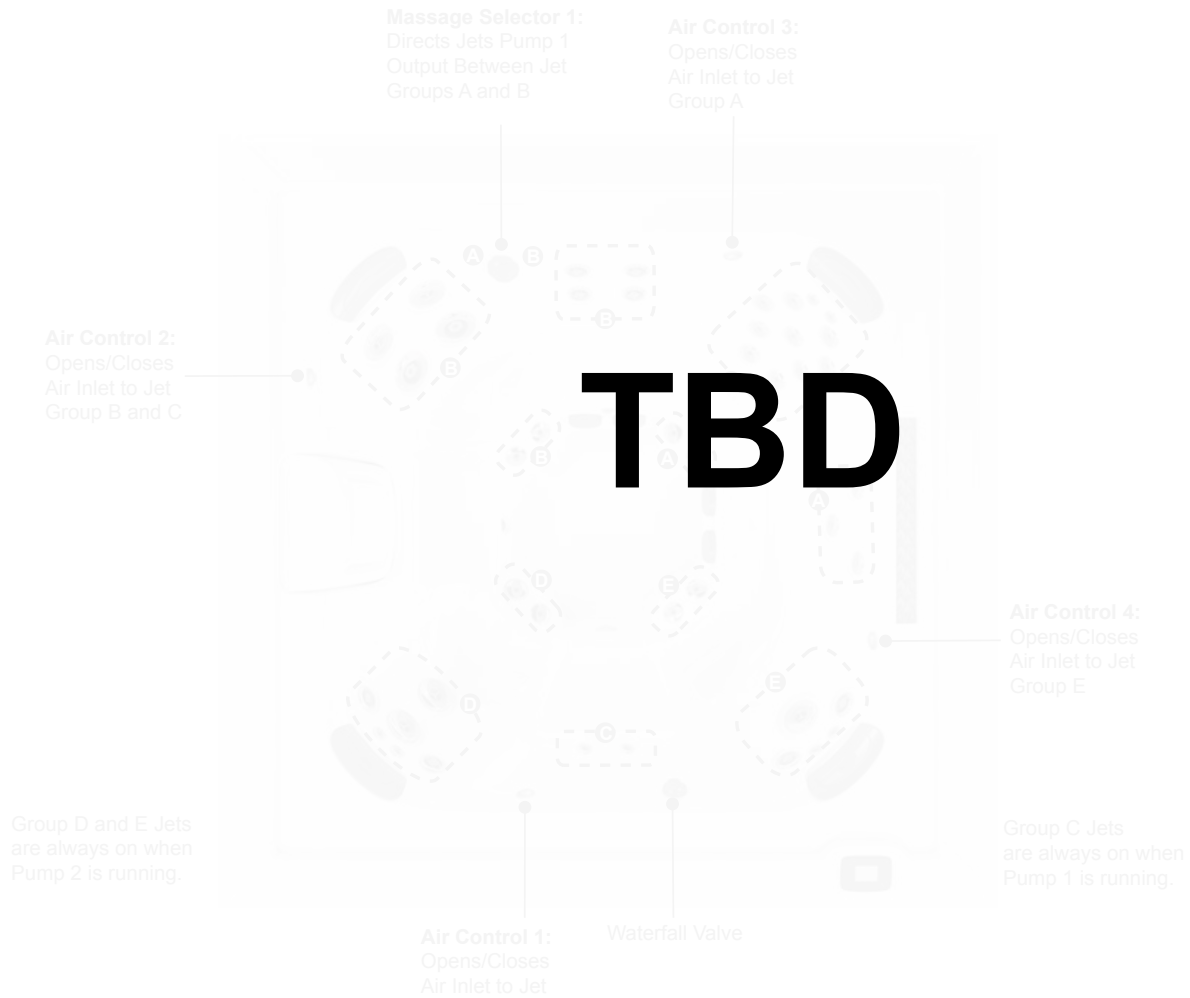
**TBD**

\*(See Warranty Document for Specific Details)

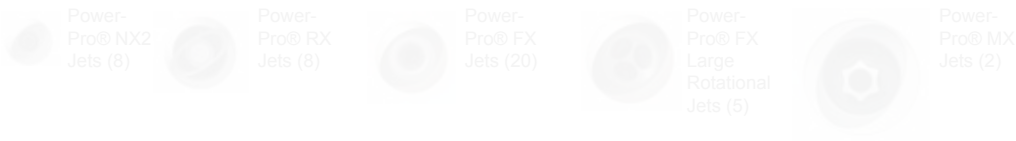
Dimensions/Specifications are Subject to Change Without Notice

# Jacuzzi J-LX

## Operation/Seat Depths



### 43 Total Jets



Spa Operation Subject to Change without Notice

## Seat Depths

A = 25.00" (63.50 cm)  
 B = 21.75" (55.25 cm)  
 C = 26.75" (67.95 cm)  
 D = 21.25" (53.98 cm)  
 E = 27.50" (69.85 cm)

F = 25.50" (64.77 cm)  
 G = 27.00" (68.58 cm)  
 H = 18.25" (46.36 cm)  
 I = 31.25" (79.38 cm)

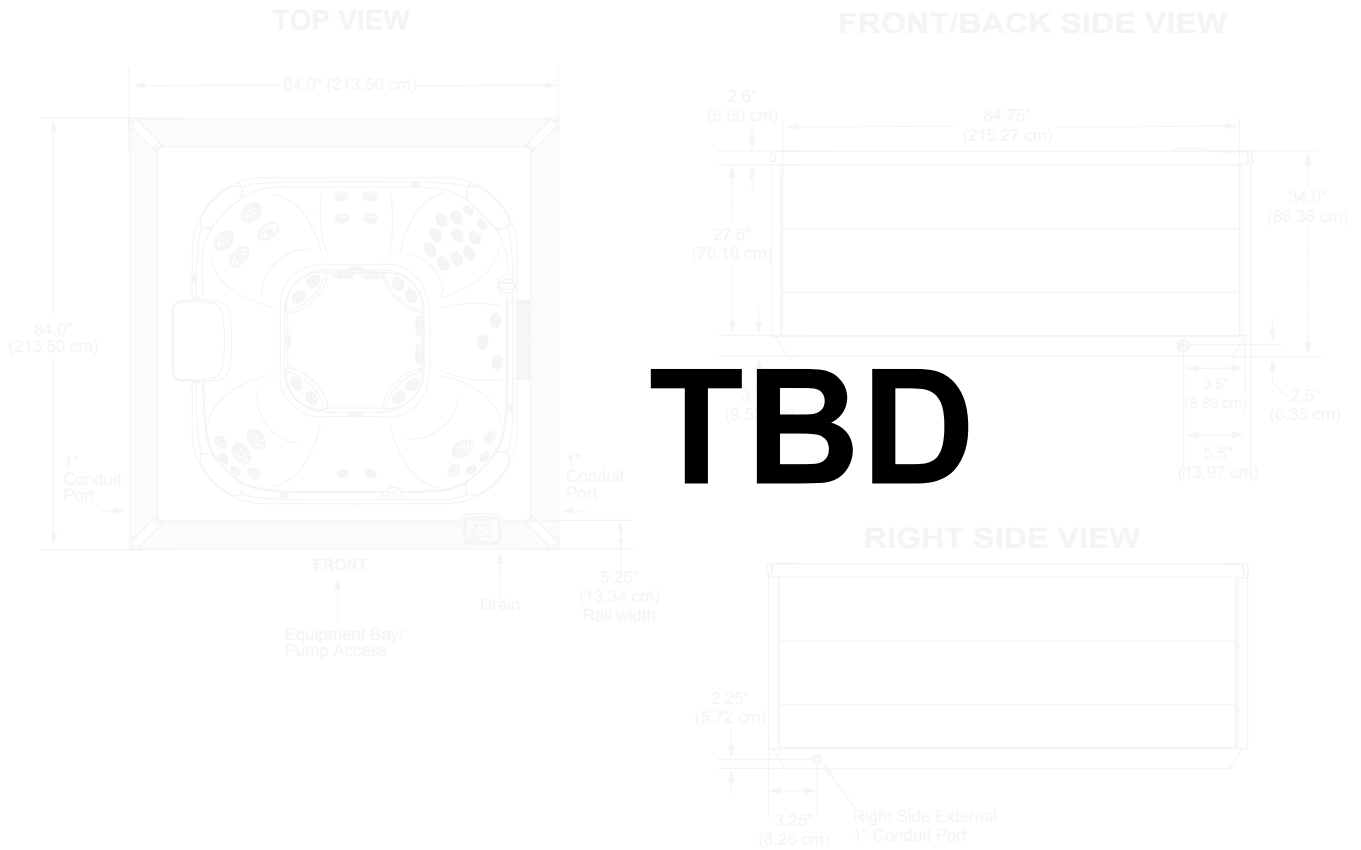
Listed dimensions represent distance from top of the deck to lowest point in seat.  
 Tolerance  $\pm 0.5"$  (1.27 cm).



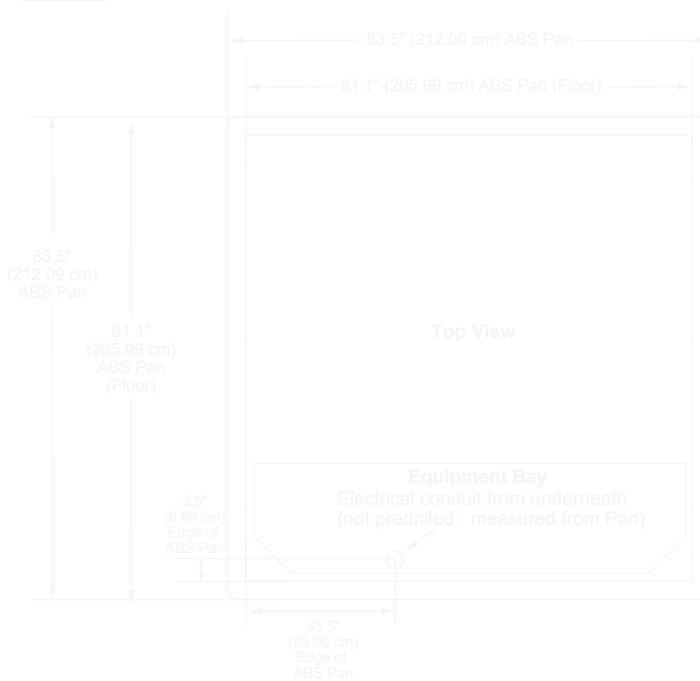
Dimensions/Specifications are Subject to Change Without Notice

# Jacuzzi J-LX

## Dimensions



**STOP** IMPORTANT! Always measure each hot tub for exact dimensions BEFORE designing its foundational support and/or decking. **STOP**



Dimensions/specifications subject to change without notice. Tolerance  $\pm 0.5"$  (1.27 cm)

# Jacuzzi J-385

## Specifications

<b>Seating Capacity</b> .....	6-7
<b>Dimensions</b> .....	91" x 91" x 37.50" (231 cm x 231 cm x 95.25 cm); <b>For complete dimensions, see page 87</b>
<b>Perimeter</b> .....	364 in. (924.6 cm)
<b>Dry Weight</b> .....	850 lbs (386 kg)
<b>Filled Weight (Spa Volume)</b> .....	5,771 lbs (2,618 kg)
<b>Filled Weight (Average Fill)</b> .....	4,686 lbs (2,126 kg)
<b>Water Capacity (Spa Volume)</b> .....	590 US gallons (2,233 Liters)
<b>Water Capacity (Average Fill)</b> .....	460 US gallons (1,741 Liters)
<b>Electronic Controls</b> .....	Solid state electronic controls with LCD readout, programmable temperature, filtration, and heat cycles
<b>Pump 1</b> .....	North America (60 Hz): 1-Speed, 4.8 HP brake, 2.5 HP continuous, 56 Frame <b>Export (50 Hz): 1-Speed, 2.0 HP continuous</b>
<b>Pump 2</b> .....	North America (60 Hz): 1-Speed, 4.8 HP brake, 2.5 HP continuous, 56 Frame <b>Export (50 Hz): 1-Speed, 2.0 HP continuous</b>
<b>Circulation Pump</b> .....	Yes, 8-hour
<b>Heater</b> .....	North America (60 Hz): 5.5kW High Flow <b>Export (50 Hz) 2.7kW High Flow</b>
<b>Total PowerPro® Jets</b> .....	51
<b>Seat A Jets</b> .....	4 PowerPro® FX, 2 PowerPro® FX Large Rotational
<b>Seat B Jets</b> .....	1 PowerPro® FX Rotational, 2 PowerPro® FX Large
<b>Seat C Jets</b> .....	2 PowerPro® NX2, 2 PowerPro® FX Rotational, 4 PowerPro® FX, 2 PowerPro® FX Large
<b>Seat D Jets</b> .....	2 PowerPro® FX Large Rotational
<b>Seat E Jets</b> .....	10 PowerPro® FX, 2 PowerPro® FX Rotational, 2 PowerPro® BX
<b>Seat E HYDROSOOTHE™ Jets</b> .....	2 PowerPro® FX Directional with independent flow rate valve
<b>Seat F Jets</b> .....	2 PowerPro® NX2, 3 PowerPro® MX
<b>Footwell (G)</b> .....	8 PowerPro® FX Small, 1 PowerPro® FX
<b>Massage Selectors</b> .....	2
<b>Air Controls</b> .....	4, On/Off rocker switch air controller
<b>Water Management System</b> .....	Two 60 ft² Filter cartridges; filter 1 on 8-hour circulation pump; filter 2 on jets pump 1; Factory installed CLEARRAY Active Oxygen™ Clean Water System <b>Export (50 Hz): Factory installed CLEARRAY Active Oxygen™ Clean Water System</b>
<b>LED Lighting</b> .....	One underwater prolite with 4 color modes, one colored waterfall light, cup holders, 2 HYDROSOOTHE pillow lights, and OPTIONAL exterior lights
<b>ProFinish™ Cabinet Colors</b> .....	Modern Hardwood, Brushed Gray, and Smoked Ebony
<b>Acrylic Colors</b> .....	Platinum, Silver Pearl, Desert, Monaco, Midnight, Porcelain
<b>Headrests</b> .....	4
<b>Waterfalls</b> .....	One independent flow rate (on or off) adjustment; powered by the circulation pump
<b>Electrical Requirements:</b> .....	North America (60 Hz): 240 VAC@40A, 50A, or 60A <b>Export (50 Hz): 230-240 VAC@1x32A, 1x20A/1x16A, 3x16A or suitably rated circuit breaker to comply with local electrical codes. Certain countries may require dual power inputs; two GFCI RCD breakers are required for this configuration.</b>
<b>Warranty*</b> .....	North America (60 Hz): 10 Years Shell, 7 Years Shell Surface, 5 Years for Plumbing Component Leaks, 5 Years Equipment and Controls, 5 Years Cabinet, 2 Years Jets, 2 Years Lights, 1 Year Stereo; <b>Export (50 Hz): 10 Years Shell, 7 Years Shell Surface, 5 Years Plumbing Component Leaks, 5 Years Equipment and Controls, 5 Years Cabinet, 2 Years Jets, 2 Years Lights, 2 Years Stereo</b>
<b>Special Features (Optional)</b> .....	SmartTub® Module, Exterior Lights
<b>Audio System (Optional)</b> .....	BLUEWAVE® Spa Stereo System (Bluetooth/Aux compatible) with four speakers and a subwoofer

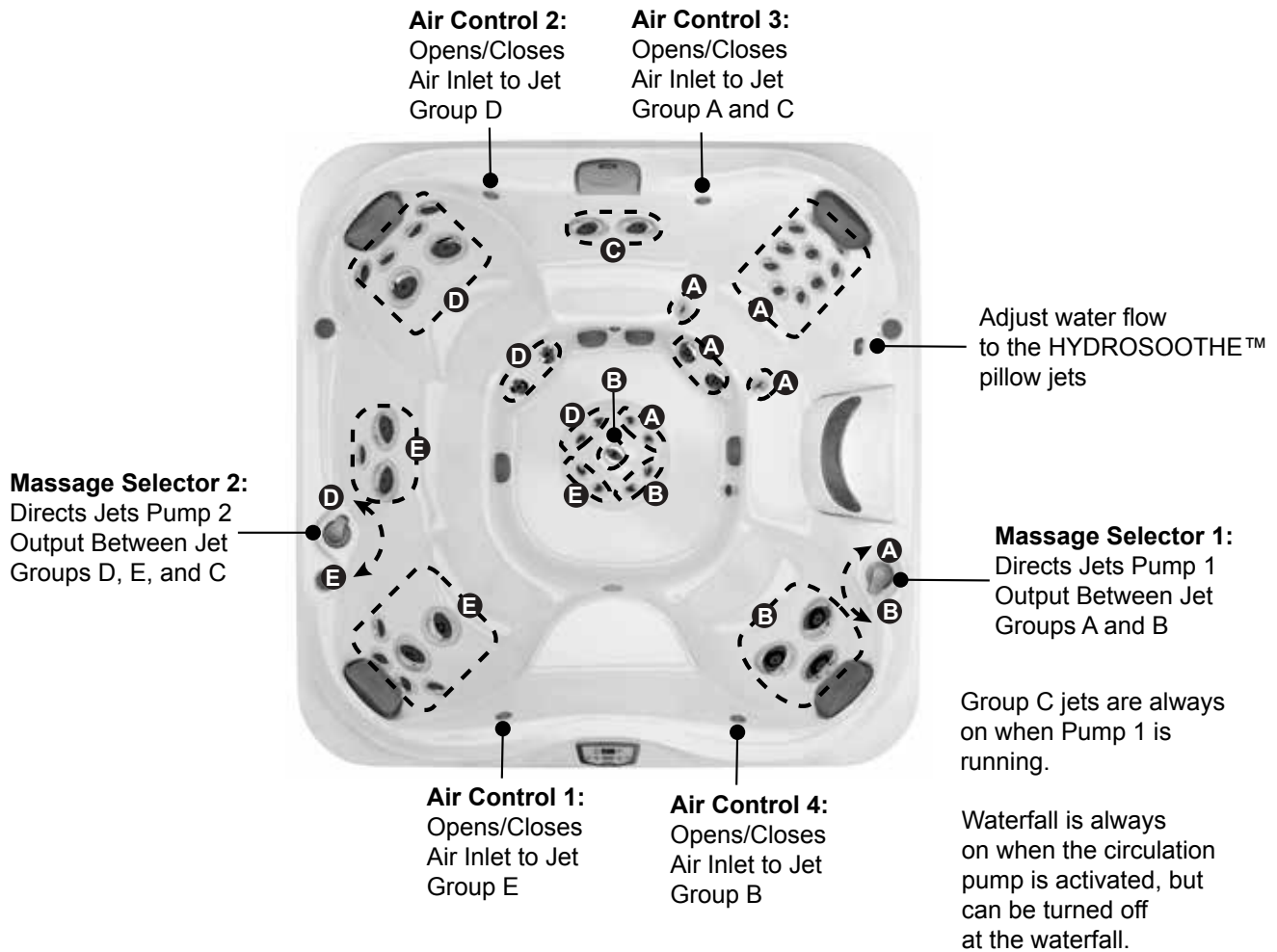


\*(See Warranty Document for Specific Details)

Dimensions/Specifications are Subject to Change Without Notice

# Jacuzzi J-385

## Operation/Seat Depths



### 51 Total Jets



## Seat Depths

**A = 26.50" (67.31 cm)**  
**B = 25.00" (63.50 cm)**  
**C = 26.75" (67.95 cm)**  
**D = 23.25" (59.06 cm)**  
**E = 28.25" (71.76 cm)**

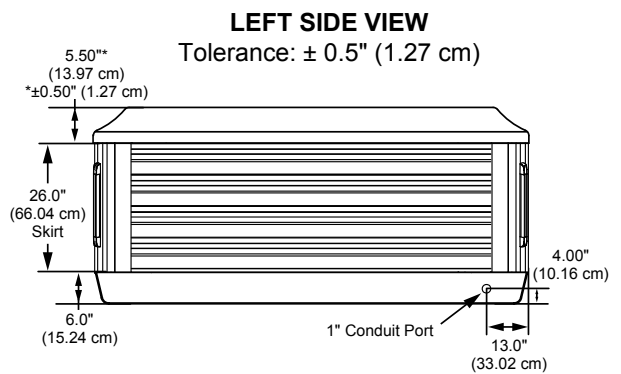
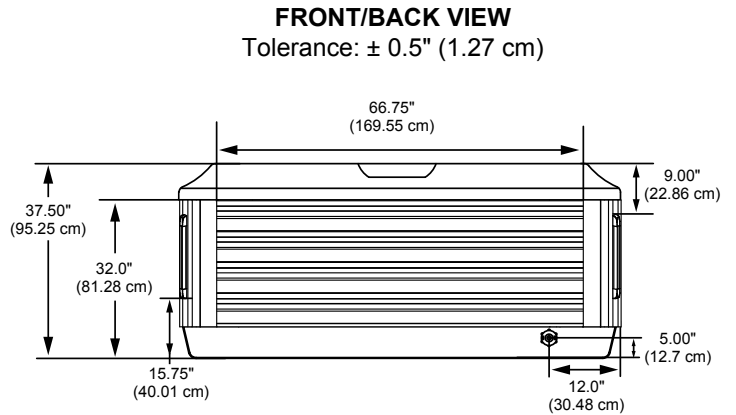
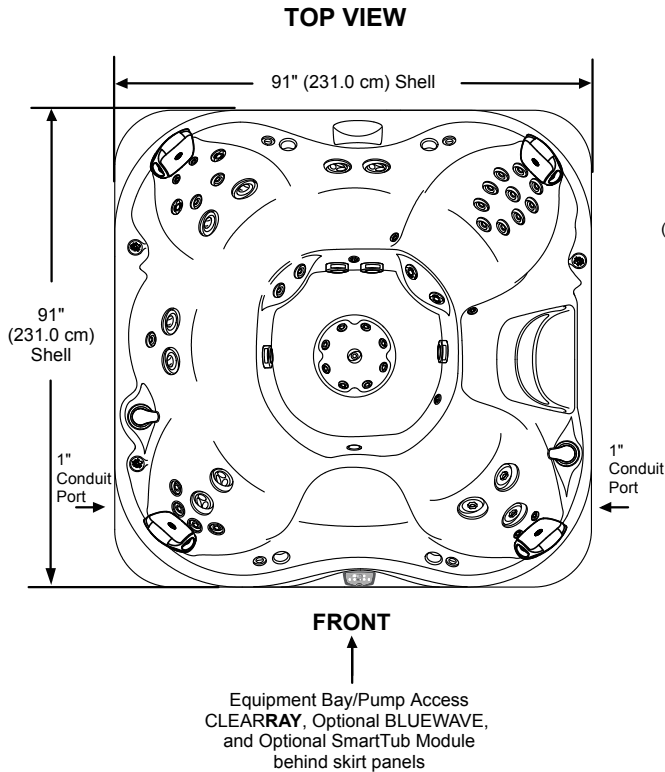
**F = 27.13" (68.90 cm)**  
**G = 17.00" (43.18 cm)**  
**H = 33.25" (84.46 cm)**

Listed dimensions represent distance from top of acrylic to lowest point in seat. Tolerance  $\pm 0.5"$  (1.27 cm).

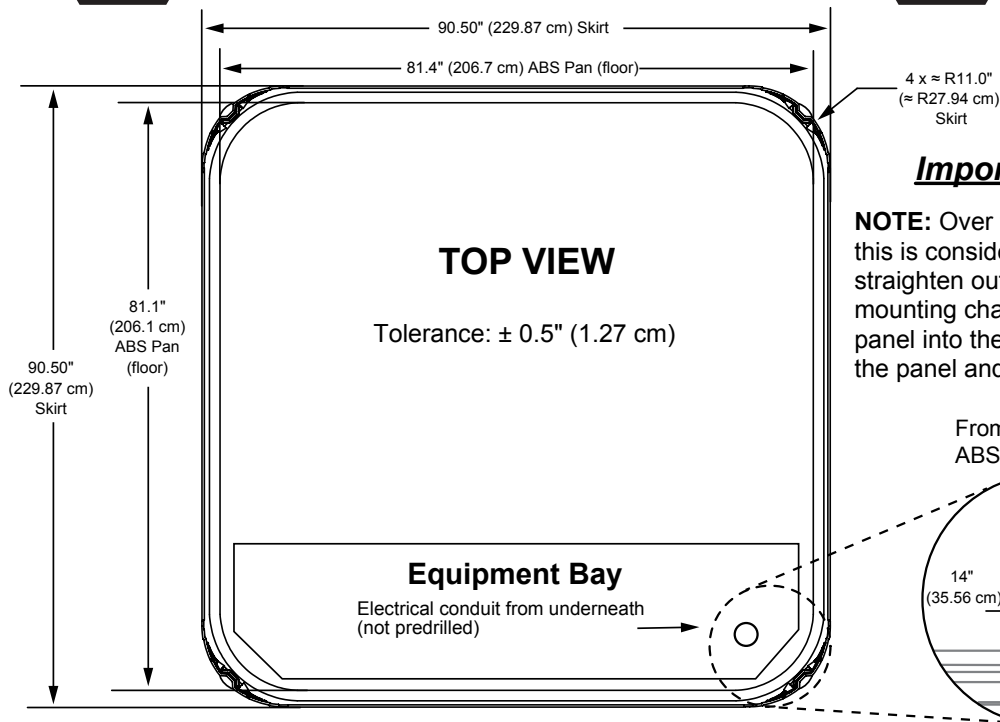


# Jacuzzi J-385

## Dimensions



**IMPORTANT!** Always measure each hot tub for exact dimensions **BEFORE** designing its foundational support and/or decking.



### Important Panel Details

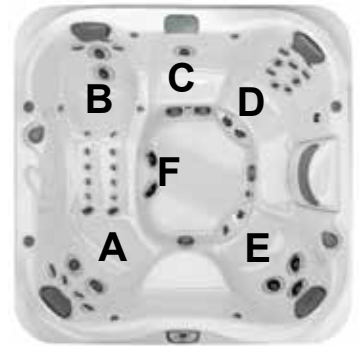
**NOTE:** Over time the panel(s) may bow, this is considered normal. The panels will straighten out when reinstalled into the mounting channel. Place one end of the panel into the channel first then flatten the panel and insert the other end.

Dimensions/specifications subject to change without notice. Tolerance  $\pm 0.5"$  (1.27 cm)

# Jacuzzi J-375

## Specifications

<b>Seating Capacity</b> .....	5-6 Adults
<b>Dimensions</b> .....	91" x 91" x 37.50" (231 cm x 231 cm x 95.25 cm); <b>For complete dimensions, see page 87</b>
<b>Perimeter</b> .....	364 in. (924.6 cm)
<b>Dry Weight</b> .....	830 lbs (376 kg)
<b>Filled Weight (Spa Volume)</b> .....	5,667 lbs (2,571 kg)
<b>Filled Weight (Average Fill)</b> .....	4,541 lbs (2,060 kg)
<b>Water Capacity (Spa Volume)</b> .....	580 US gallons (2,196 Liters)
<b>Water Capacity (Average Fill)</b> .....	445 US gallons (1,685 Liters)
<b>Electronic Controls</b> .....	Solid state electronic controls with LCD readout, programmable temperature, filtration, and heat cycles
<b>Pump 1</b> .....	North America (60 Hz): 1-Speed, 4.8 HP brake, 2.5 HP continuous, 56 Frame <b>Export (50 Hz): 1-Speed, 2.0 HP continuous</b>
<b>Pump 2</b> .....	North America (60 Hz): 1-Speed, 4.8 HP brake, 2.5 HP continuous, 56 Frame <b>Export (50 Hz): 1-Speed, 2.0 HP continuous</b>
<b>Circulation Pump</b> .....	Yes, 8-hour
<b>Heater</b> .....	North America (60 Hz): 5.5kW High Flow <b>Export (50 Hz) 2.7kW High Flow</b>
<b>Total PowerPro® Jets</b> .....	52
<b>Seat A Jets</b> .....	2 PowerPro® NX2, 2 PowerPro® FX Large, 2 PowerPro® FX Rotational, 2 PowerPro® FX
<b>Seat B Jets</b> .....	4 PowerPro® FX, 2 PowerPro® FX Large Rotational, 12 PowerPro® BX, 2 PowerPro® FX Rotational
<b>Seat C Jets</b> .....	1 PowerPro® FX Large Rotational
<b>Seat D Jets</b> .....	10 PowerPro® FX, 2 PowerPro® FX Rotational
<b>Seat D HYDROSOOTHE™ Jets</b> .....	2 PowerPro® FX Directional with independent flow rate valve
<b>Seat E Jets</b> .....	2 PowerPro® NX2, 3 PowerPro® MX, 2 PowerPro® FX
<b>Footwell (F)</b> .....	2 PowerPro® MX
<b>Massage Selectors</b> .....	2
<b>Air Controls</b> .....	4, On/Off rocker switch air controller
<b>Water Management System</b> .....	Two 60 ft <sup>2</sup> Filter cartridges; filter 1 on 8-hour circulation pump; filter 2 on jets pump 1; Factory installed CLEARRAY Active Oxygen™ Clean Water System <b>Export (50 Hz): Factory installed CLEARRAY Active Oxygen™ Clean Water System</b>
<b>LED Lighting</b> .....	One underwater prolite with 4 color modes, one colored waterfall light, cup holders, 2 HYDROSOOTHE pillow lights, and OPTIONAL exterior lights
<b>ProFinish™ Cabinet Colors</b> .....	Modern Hardwood, Brushed Gray, and Smoked Ebony
<b>Acrylic Colors</b> .....	Platinum, Silver Pearl, Monaco, Midnight, Porcelain
<b>Headrests</b> .....	4
<b>Waterfalls</b> .....	One independent flow rate (on or off) adjustment; powered by the circulation pump
<b>Electrical Requirements:</b> .....	North America (60 Hz): 240 VAC@40A, 50A, or 60A <b>Export (50 Hz): 230-240 VAC@1x32A, 1x20A/1x16A, 3x16A, or suitably rated circuit breaker to comply with local electrical codes. Certain countries may require dual power inputs; two GFCI RCD breakers are required for this configuration.</b>
<b>Warranty*</b> .....	North America (60 Hz): 10 Years Shell, 7 Years Shell Surface, 5 Years for Plumbing Component Leaks, 5 Years Equipment and Controls, 5 Years Cabinet, 2 Years Jets, 2 Years Lights, 1 Year Stereo; <b>Export (50 Hz): 10 Years Shell, 7 Years Shell Surface, 5 Years Plumbing Component Leaks, 5 Years Equipment and Controls, 5 Years Cabinet, 2 Years Jets, 2 Years Lights, 2 Years Stereo</b>
<b>Special Features (Optional)</b> .....	SmartTub® Module, Exterior Lights
<b>Audio System (Optional)</b> .....	BLUEWAVE® Spa Stereo System (Bluetooth/Aux compatible) with four speakers and subwoofer

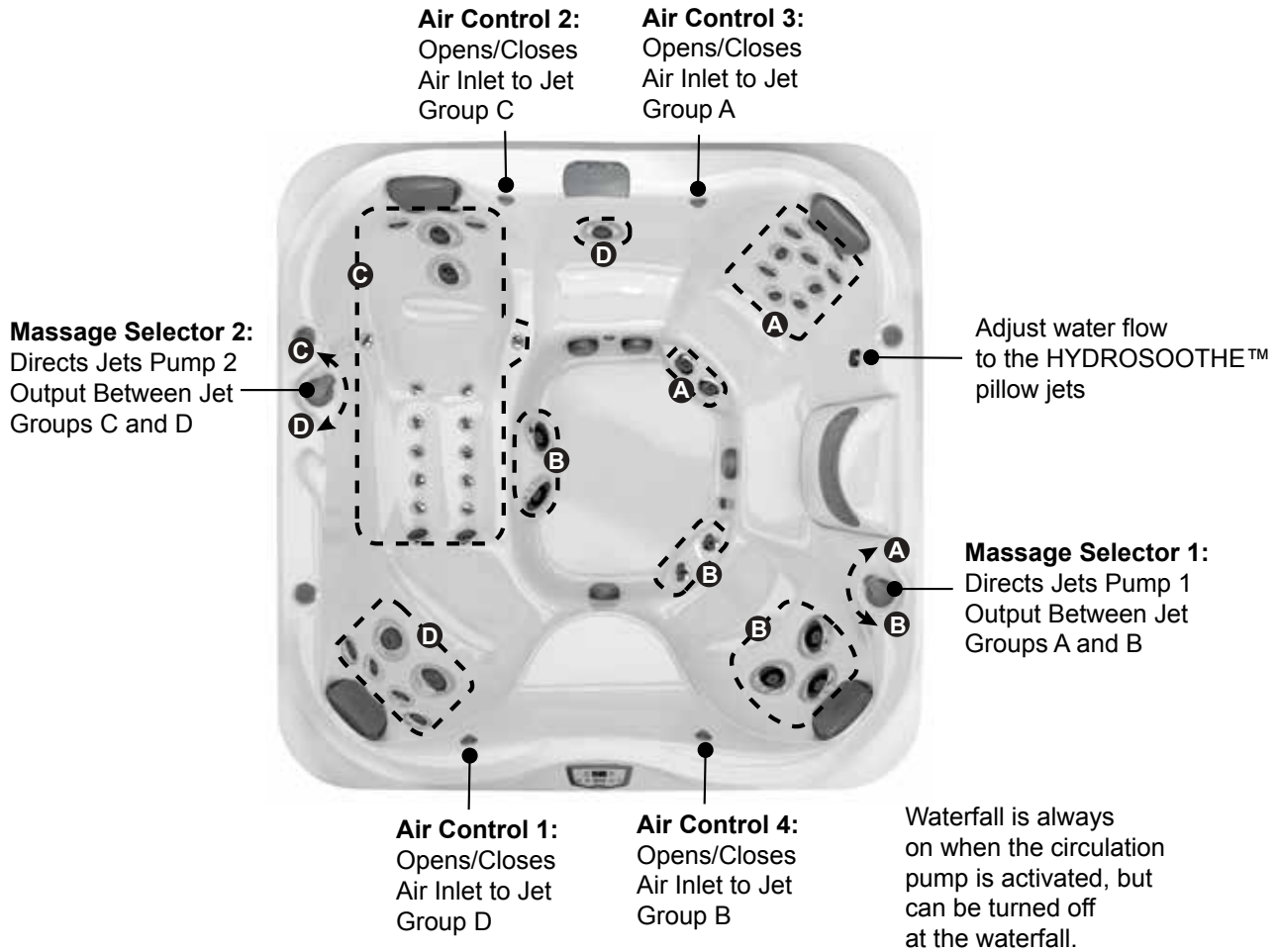


\*(See Warranty Document for Specific Details)

Dimensions/Specifications are Subject to Change Without Notice

# Jacuzzi J-375

## Operation/Seat Depths



### 52 Total Jets



Spa Operation Subject to Change without Notice

## Seat Depths

**A = 26.50" (67.31 cm)**  
**B = 27.50" (69.85 cm)**  
**C = 23.50" (59.69 cm)**  
**D = 28.25" (71.76 cm)**  
**E = 27.25" (69.22 cm)**

**F = 17.00" (43.18 cm)**  
**G = 34.00" (86.36 cm)**

Listed dimensions  
represent distance  
from top of acrylic to  
lowest point in seat.  
Tolerance  $\pm 0.5"$   
(1.27 cm).



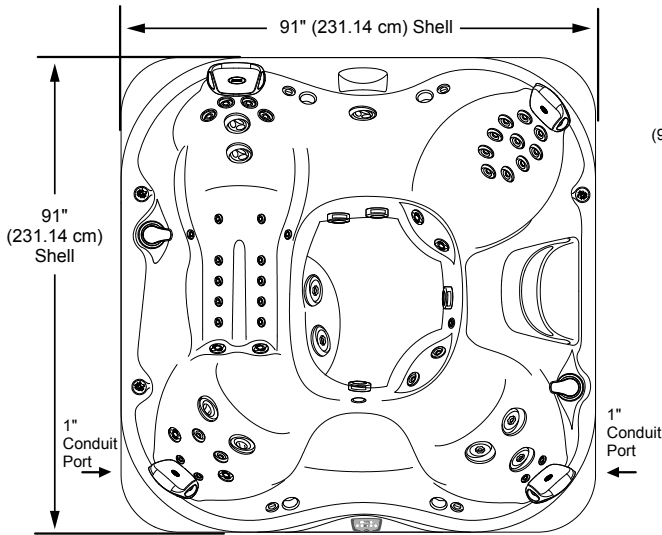
Dimensions/Specifications are Subject to Change Without Notice



# Jacuzzi J-375

## Dimensions

**TOP VIEW**

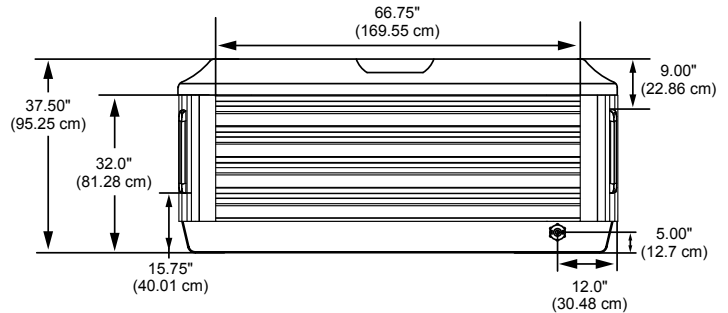


**FRONT**

Equipment Bay/Pump Access  
CLEARARRAY, Optional BLUEWAVE,  
and Optional SmartTub Module  
behind skirt panels

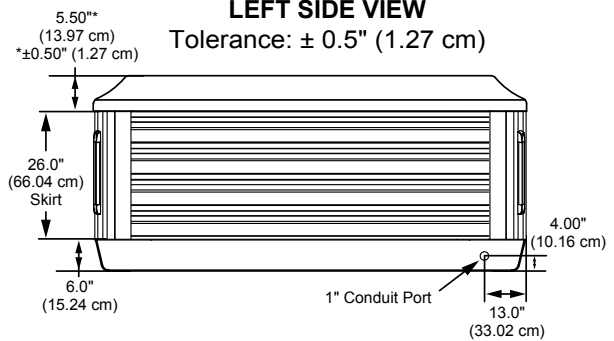
**FRONT/BACK VIEW**

Tolerance:  $\pm 0.5"$  (1.27 cm)

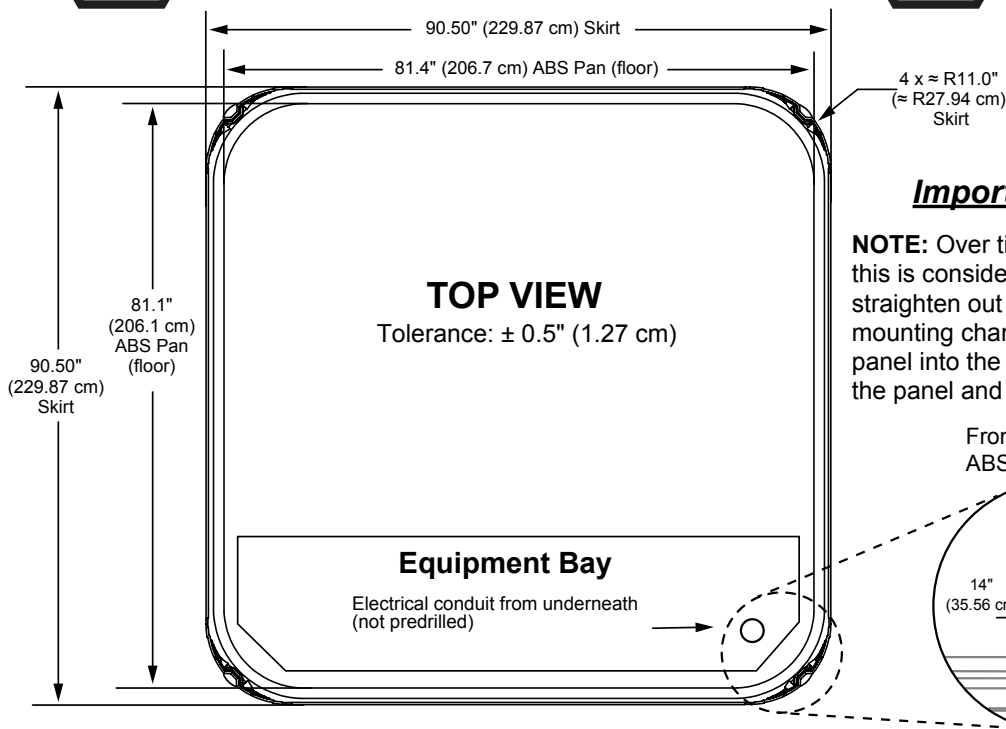


**LEFT SIDE VIEW**

Tolerance:  $\pm 0.5"$  (1.27 cm)



**IMPORTANT! Always measure each hot tub for exact dimensions BEFORE designing its foundational support and/or decking.**



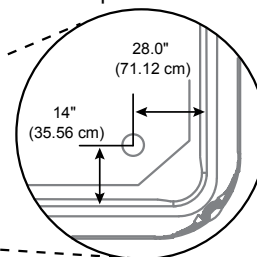
**TOP VIEW**

Tolerance:  $\pm 0.5"$  (1.27 cm)

### **Important Panel Details**

**NOTE:** Over time the panel(s) may bow, this is considered normal. The panels will straighten out when reinstalled into the mounting channel. Place one end of the panel into the channel first then flatten the panel and insert the other end.

From the edge of the  
ABS pan



Dimensions/specifications subject to change without notice. Tolerance  $\pm 0.5"$  (1.27 cm)

# Jacuzzi J-365

## Specifications

<b>Seating Capacity</b> .....	6-7 Adults
<b>Dimensions</b> .....	84" x 91" x 37.50" (213.5 cm x 231 cm x 95.25 cm); <b>For Complete Dimensions, See page 87</b>
<b>Perimeter</b> .....	350 in. (889 cm)
<b>Dry Weight</b> .....	805 lbs (365 kg)
<b>Filled Weight (Spa Volume)</b> .....	4,975 lbs (2,257 kg)
<b>Filled Weight (Average Fill)</b> .....	4,099 lbs (1,859 kg)
<b>Water Capacity (Spa Volume)</b> .....	500 US gallons (1,893 Liters)
<b>Water Capacity (Average Fill)</b> .....	395 US gallons (1,495 Liters)
<b>Electronic Controls</b> .....	Solid state electronic controls with LCD readout, programmable temperature, filtration, and heat cycles
<b>Pump 1</b> .....	North America (60 Hz): 1-Speed, 4.8 HP brake, 2.5 HP continuous, 56 Frame
<b>Export (50 Hz):</b> .....	<b>1-Speed, 2.0 HP continuous</b>
<b>Pump 2</b> .....	North America (60 Hz): 1-Speed, 4.8 HP brake, 2.5 HP continuous, 56 Frame
<b>Export (50 Hz):</b> .....	<b>1-Speed, 2.0 HP continuous</b>
<b>Circulation Pump</b> .....	Yes, 8-Hour
<b>Heater</b> .....	North America (60 Hz): 5.5kW High Flow
<b>Export (50 Hz)</b> .....	<b>2.7kW High Flow</b>
<b>Total PowerPro® Jets</b> .....	46
<b>Seat A Jets</b> .....	4 PowerPro® FX, 2 PowerPro® FX Large Rotational
<b>Seat B Jets</b> .....	1 PowerPro® FX Large
<b>Seat C Jets</b> .....	2 PowerPro® NX2, 2 PowerPro® FX, 3 PowerPro® MX
<b>Seat D Jets</b> .....	1 PowerPro® FX Large Rotational
<b>Seat E Jets</b> .....	10 PowerPro® FX, 2 PowerPro® FX Rotational
<b>Seat E HYDROSOOTHE™ Jets</b> .....	2 PowerPro® FX Directional with independent flow rate valve
<b>Seat F Jets</b> .....	2 PowerPro® NX2, 2 PowerPro® FX Rotational, 2 PowerPro® FX, 2 PowerPro® FX Large
<b>Footwell (G)</b> .....	8 PowerPro® FX Small, 1 PowerPro® FX
<b>Massage Selectors</b> .....	2
<b>Air Controls</b> .....	4, On/Off rocker style
<b>Water Management System</b> .....	Two 60 ft² filter cartridges; filter 1 on 8-hour circulation pump; filter 2 on jets pump 1; Factory installed CLEARARRAY Active Oxygen™ Clean Water System
<b>Export (50 Hz):</b> .....	<b>Factory installed CLEARARRAY Active Oxygen™ Clean Water System</b>
<b>LED Lighting</b> .....	One underwater light with 4 color modes, one colored waterfall light, cup holders, 2 HYDROSOOTHE pillow lights, and OPTIONAL exterior light
<b>ProFinish™ Cabinet Colors</b> .....	Modern Hardwood, Brushed Gray, and Smoked Ebony
<b>Acrylic Colors</b> .....	Platinum, Silver Pearl, Monaco, Midnight, Porcelain
<b>Headrests</b> .....	4
<b>Waterfalls</b> .....	One independent flow rate (on or off) adjustment; powered by the circulation pump
<b>Electrical Requirements:</b> .....	North America (60 Hz): 240 VAC@40A, 50A, or 60A <b>Export (50 Hz): 230-240 VAC@1x32A, 1x20A/1x16A, 3x16A, or suitably rated circuit breaker to comply with local electrical codes. Certain countries may require dual power inputs; two GFCI RCD Breakers are required for this configuration.</b>
<b>Warranty*</b> .....	North America (60 Hz): 10 Years Shell, 7 Years Shell Surface, 5 Years Plumbing Component Leaks, 5 Years Equipment and Controls, 5 Years Cabinet, 2 Years Jets, 2 Years Lights, 1 Year Stereo; <b>Export (50 Hz): 10 Years Shell, 7 Years Shell Surface, 5 Years Plumbing Component Leaks, 5 Years Equipment and Controls, 5 Years Cabinet, 2 Years Jets, 2 Years Lights, 2 Years Stereo</b>
<b>Special Features (Optional)</b> .....	SmartTub® Module, Exterior Lights
<b>Audio System (Optional)</b> .....	BLUEWAVE® Spa Stereo System (Bluetooth/Aux compatible) with four speakers and subwoofer

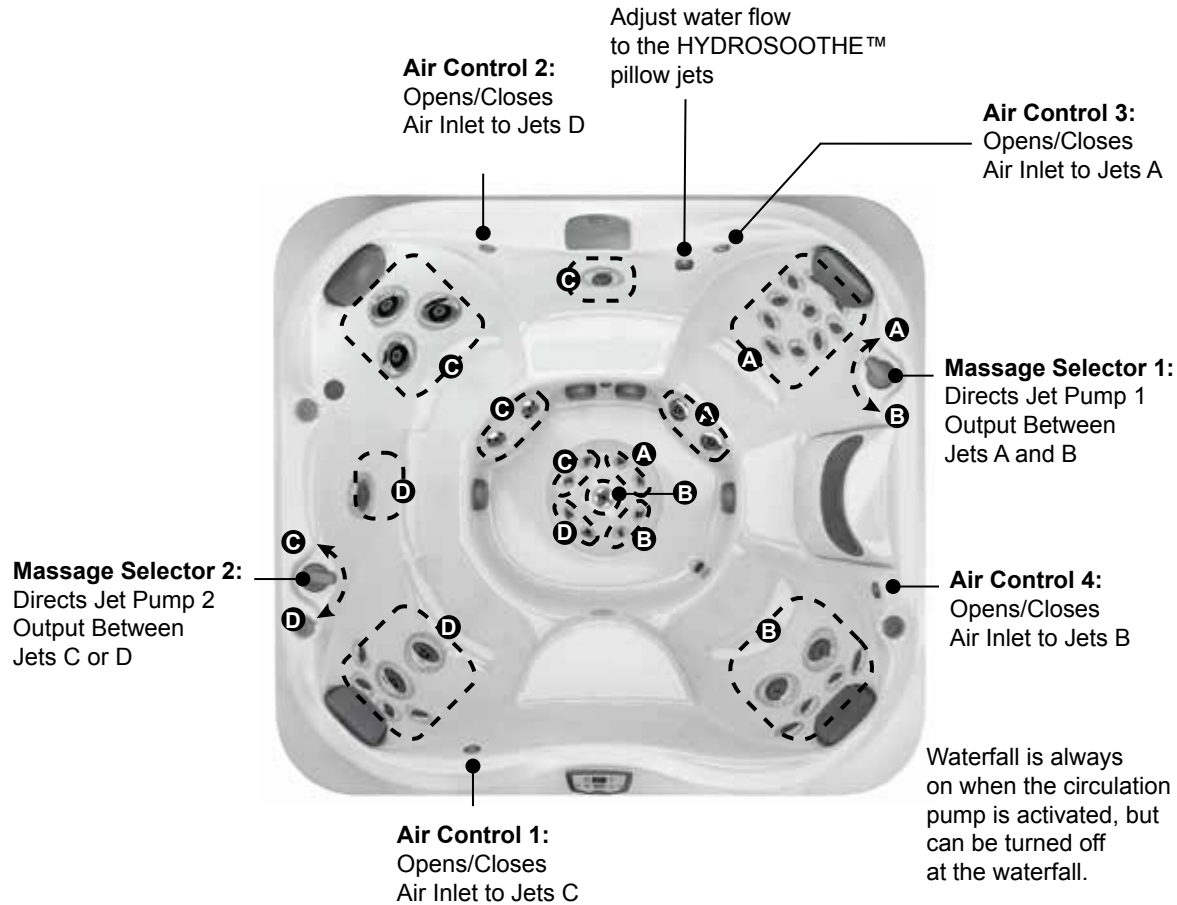


\*(See Warranty Document for Specific Details)

Dimensions/Specifications are Subject to Change Without Notice

# Jacuzzi J-365

## Operation/Seat Depths



### 46 Total Jets



Spa Operation Subject to Change without Notice

## Seat Depths

- A = 26.50" (67.47 cm)**
- B = 25.25" (64.14 cm)**
- C = 25.25" (64.14 cm)**
- D = 23.75" (60.33 cm)**
- E = 28.25" (71.76 cm)**

- F = 27.25" (69.22 cm)**
- G = 17.50" (44.45 cm)**
- H = 33.75" (85.73 cm)**

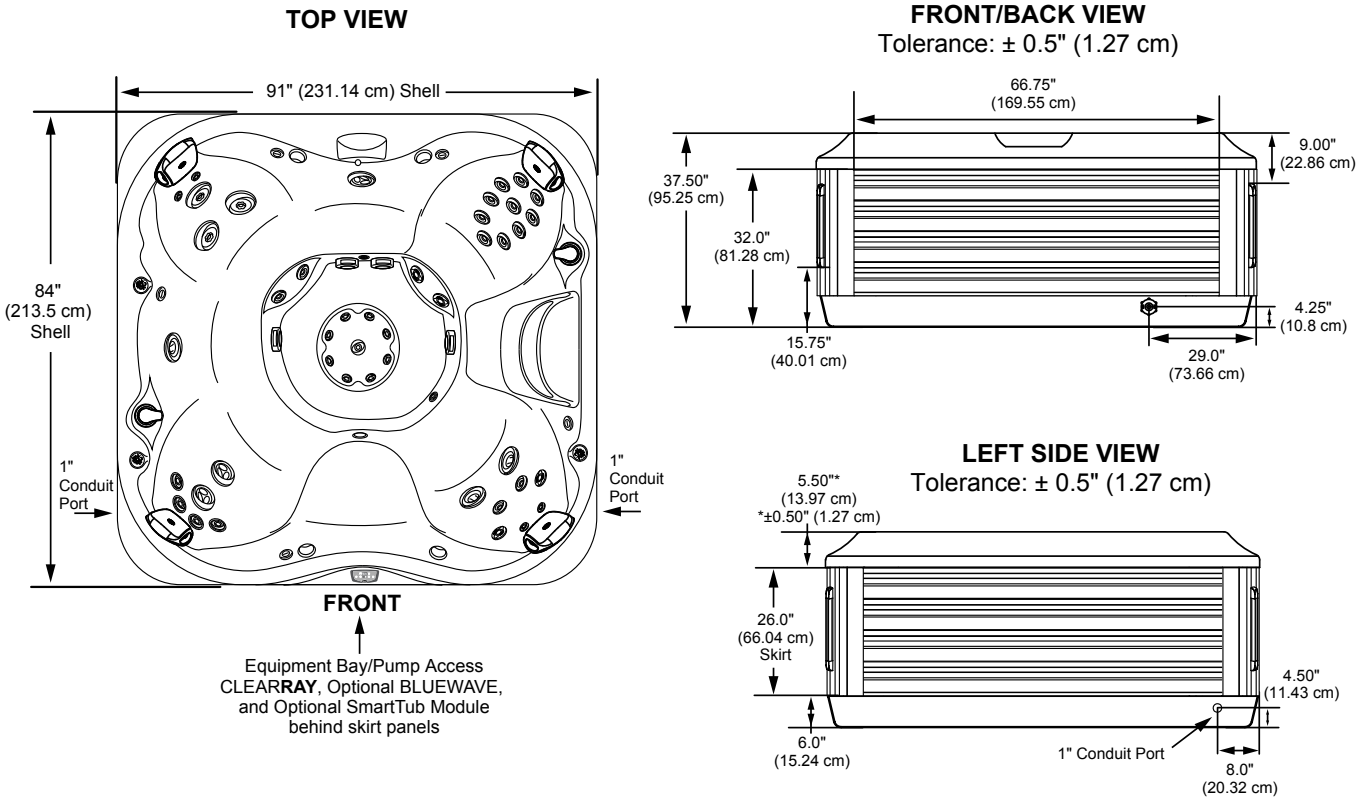
Listed dimensions represent distance from top of acrylic to lowest point in seat. Tolerance  $\pm 0.5"$  (1.27 cm).



Dimensions/Specifications are Subject to Change Without Notice

# Jacuzzi J-365

## Dimensions

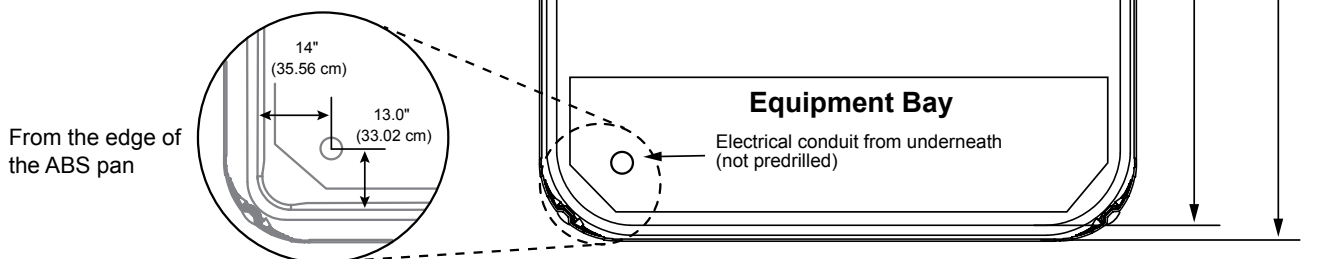


**IMPORTANT!** Always measure each hot tub for exact dimensions **BEFORE** designing its foundational support and/or decking.



### Important Panel Details

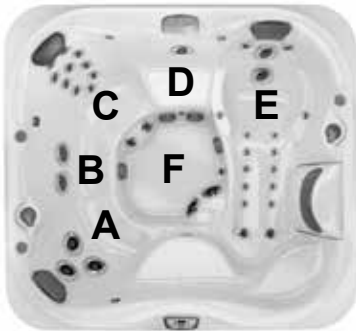
**NOTE:** Over time the panel(s) may bow, this is considered normal. The panels will straighten out when reinstalled into the mounting channel. Place one end of the panel into the channel first then flatten the panel and insert the other end.



Dimensions/specifications subject to change without notice. Tolerance  $\pm 0.5"$  (1.27 cm)

# Jacuzzi J-355

## Specifications

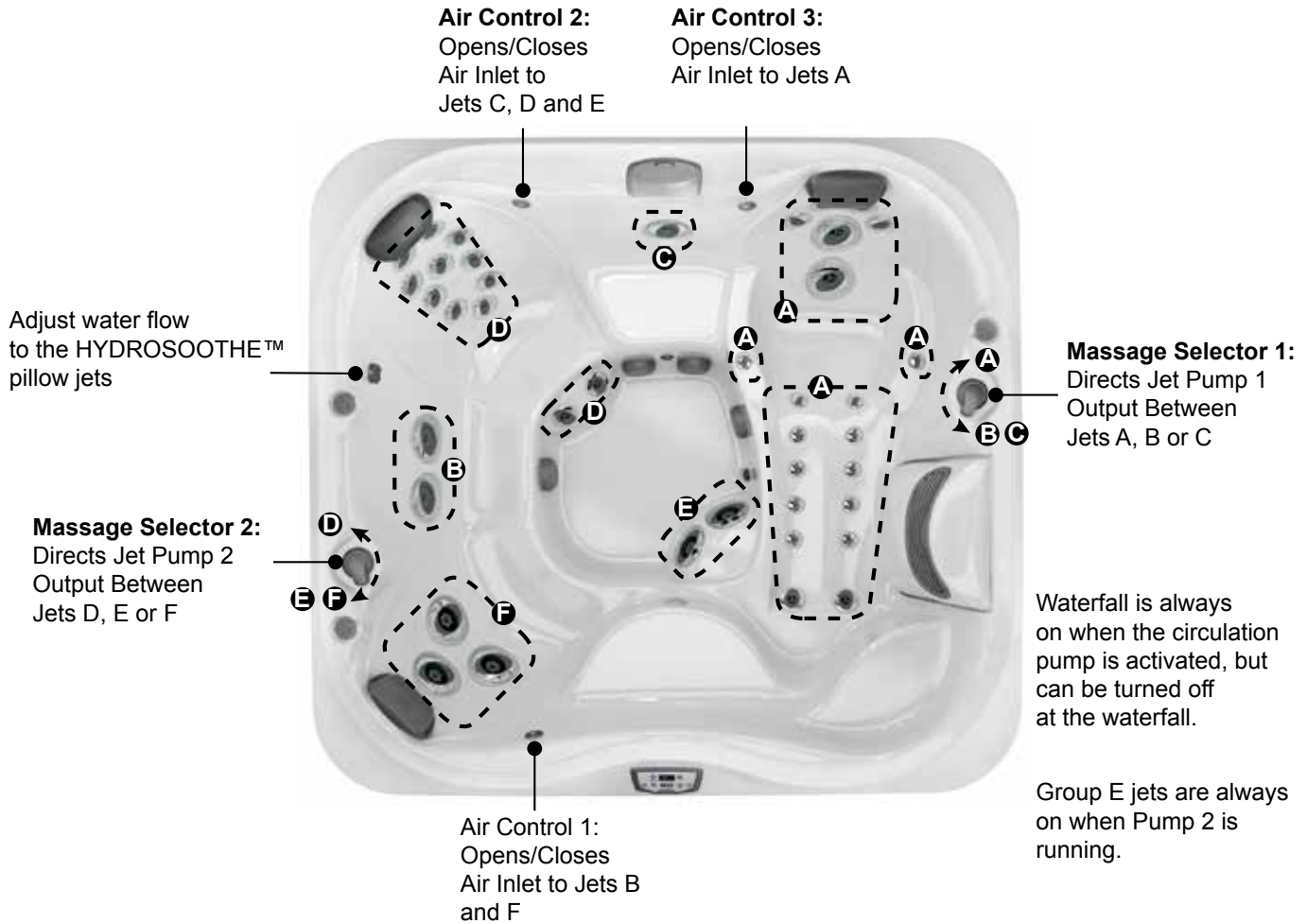
Seating Capacity.....	5-6 Adults	
Dimensions .....	84" x 91" x 37.50" (213.5 cm x 231 cm x 95.25 cm);	
	<b>For Complete Dimensions, See page 87</b>	
Perimeter .....	350 in. (889 cm)	
Dry Weight.....	813 lbs (369 kg)	
Filled Weight (Spa Volume) .....	4,900 lbs (1,855 kg)	
Filled Weight (Average Fill).....	3,815 lbs (1,731 kg)	
Water Capacity (Spa Volume) .....	490 US gallons (1,855 Liters)	
Water Capacity (Average Fill) .....	360 US gallons (1,363 Liters)	
Electronic Controls .....	Solid state electronic controls with LCD readout, programmable temperature, filtration, and heat cycles	
Pump 1.....	North America (60 Hz): 1-Speed, 4.8 HP brake, 2.5 HP continuous, 56 Frame	
Export (50 Hz):.....	<b>1-Speed, 2.0 HP continuous</b>	
Pump 2.....	North America (60 Hz): 1-Speed, 4.8 HP brake, 2.5 HP continuous, 56 Frame	
Export (50 Hz):.....	<b>1-Speed, 2.0 HP continuous</b>	
Circulation Pump.....	Yes, 8-hour	
Heater .....	North America (60 Hz): 5.5kW High Flow	
Export (50 Hz).....	<b>2.7kW High Flow</b>	
Total PowerPro® Jets.....	44	
Seat A Jets .....	2 PowerPro® NX2, 3 PowerPro® MX	
Seat B Jets .....	2 PowerPro® FX Large	
Seat C Jets .....	10 PowerPro® FX, 2 PowerPro® FX Rotational	
Seat C HYDROSOOTHE™ Jets.....	2 PowerPro® FX Directional with independent flow rate valve	
Seat D Jets .....	1 PowerPro® FX Large Rotational	
Seat E Jets .....	4 PowerPro® FX, 2 PowerPro® FX Large Rotational, 12 PowerPro® BX, 2 PowerPro® FX Rotational	
Footwell (F) .....	2 PowerPro® MX	
Massage Selectors .....	2	
Air Controls.....	3, On/Off rocker style	
Water Management System .....	Two 60 ft² filter cartridges; filter 1 on 8-hour circulation pump; filter 2 on jets pump 1; Factory installed CLEARARRAY Active Oxygen™ Clean Water System	
Export (50 Hz):.....	<b>Factory installed CLEARARRAY Active Oxygen™ Clean Water System</b>	
LED Lighting .....	One underwater light with 4 color modes, one colored waterfall light, cup holders, 2 HYDROSOOTHE pillow lights, and OPTIONAL exterior light	
ProFinish™ Cabinet Colors.....	Modern Hardwood, Brushed Gray, and Smoked Ebony	
Acrylic Colors .....	Platinum, Silver Pearl, Monaco, Midnight, Porcelain	
Headrests .....	3	
Waterfalls .....	One independent flow rate (on or off) adjustment; powered by the circulation pump	
Electrical Requirements:.....	North America (60 Hz): 240 VAC@40A, 50A, or 60A	
	<b>Export (50 Hz): 230-240 VAC@1x32A, 1x20A/1x16A, 3x16A, or suitably rated circuit breaker to comply with local electrical codes. Certain countries may require dual power inputs; two GFCI RCD Breakers are required for this configuration.</b>	
Warranty* .....	North America (60 Hz): 10 Years Shell, 7 Years Shell Surface, 5 Years for Plumbing Component Leaks, 5 Years Equipment and Controls, 5 Years Cabinet, 2 Years Jets, 2 Years Lights, 1 Year Stereo;	
	<b>Export (50 Hz): 10 Years Shell, 7 Years Shell Surface, 5 Years Plumbing Component Leaks, 5 Years Equipment and Controls, 5 Years Cabinet, 2 Years Jets, 2 Years Lights, 2 Years Stereo</b>	
Special Features (Optional).....	SmartTub® Module, Exterior Lights	
Audio System (Optional).....	BLUEWAVE® Spa Stereo System (Bluetooth/Aux compatible) with four speakers and subwoofer	

\*(See Warranty Document for Specific Details)

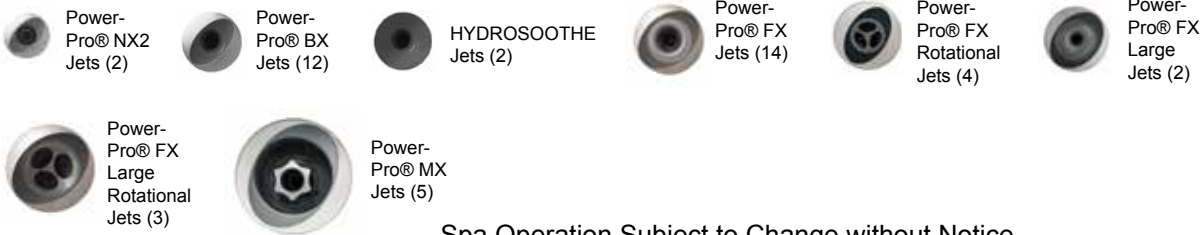
Dimensions/Specifications are Subject to Change Without Notice

# Jacuzzi J-355

## Operation/Seat Depths



### 44 Total Jets



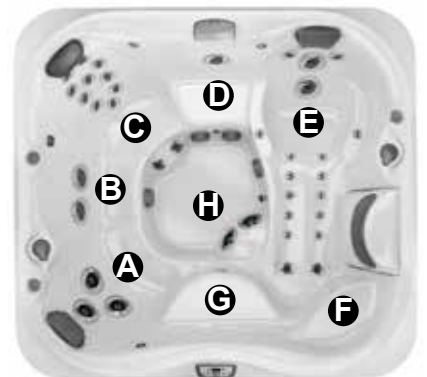
Spa Operation Subject to Change without Notice

## Seat Depths

- A = 25.25" (64.14 cm)**
- B = 26.50" (67.31 cm)**
- C = 28.75" (73.02 cm)**
- D = 21.25" (53.98 cm)**
- E = 27.00" (68.58 cm)**

- F = 9.25" (23.50 cm)**
- G = 13.50" (34.29 cm)**
- H = 33.25" (84.45 cm)**

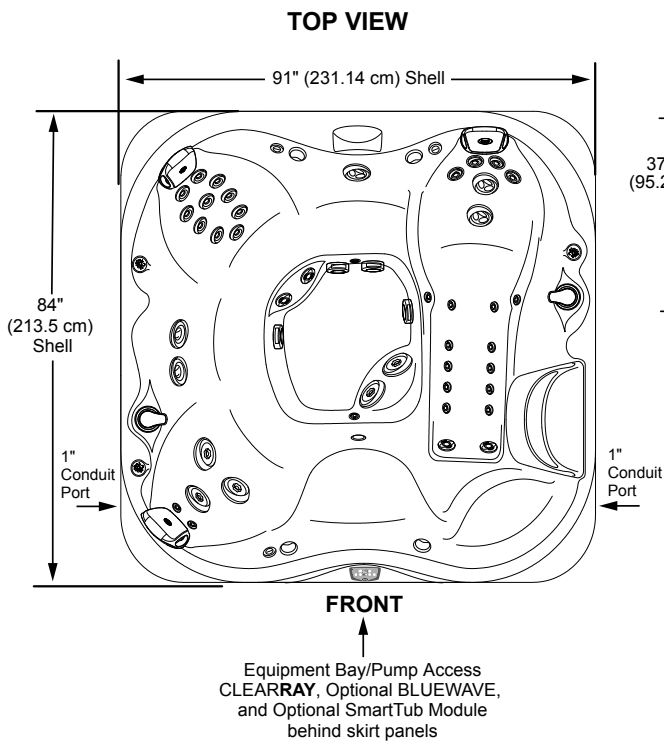
Listed dimensions represent distance from top of acrylic to lowest point in seat. Tolerance  $\pm 0.5"$  (1.27 cm).



Dimensions/Specifications are Subject to Change Without Notice

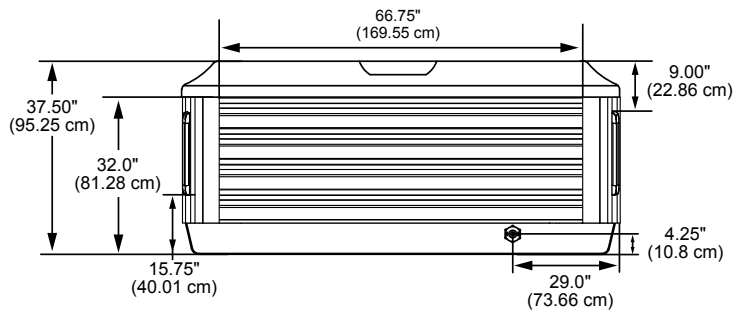
# Jacuzzi J-355

## Dimensions



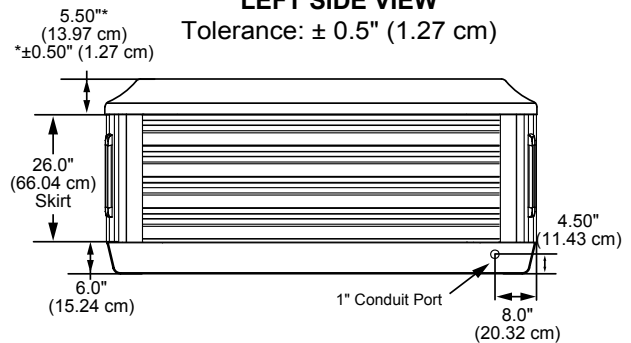
**FRONT/BACK VIEW**

Tolerance:  $\pm 0.5"$  (1.27 cm)



**LEFT SIDE VIEW**

Tolerance:  $\pm 0.5"$  (1.27 cm)

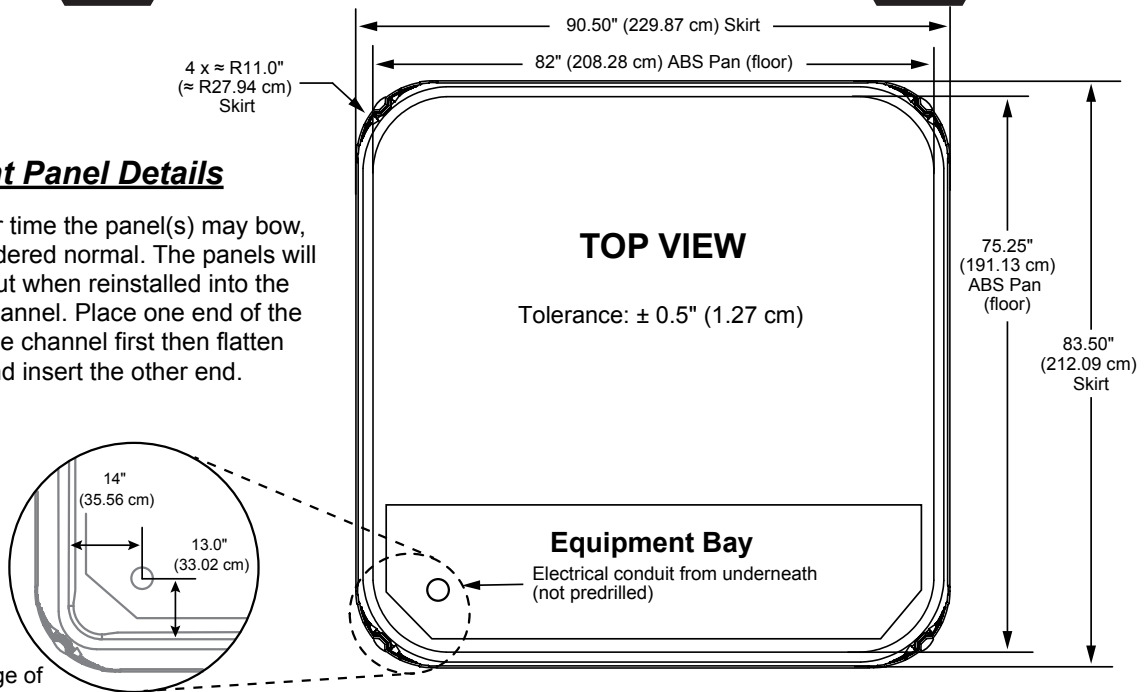


**IMPORTANT! Always measure each hot tub for exact dimensions BEFORE designing its foundational support and/or decking.**



**Important Panel Details**

**NOTE:** Over time the panel(s) may bow, this is considered normal. The panels will straighten out when reinstalled into the mounting channel. Place one end of the panel into the channel first then flatten the panel and insert the other end.



From the edge of the ABS pan

Dimensions/specifications subject to change without notice. Tolerance  $\pm 0.5"$  (1.27 cm)

# Jacuzzi J-345

## Specifications

<b>Seating Capacity</b> .....	6-7 Adults
<b>Dimensions</b> .....	84" x 84" x 36" (213.5 cm x 213.5 cm x 91.44 cm); <b>For Complete Dimensions, See page 87</b>
<b>Perimeter</b> .....	336 in. (853.4 cm)
<b>Dry Weight</b> .....	777 lbs (352 kg)
<b>Filled Weight (Spa Volume)</b> .....	4,488 lbs (2,036 kg)
<b>Filled Weight (Average Fill)</b> .....	3,654 lbs (1,306 kg)
<b>Water Capacity (Spa Volume)</b> .....	445 US gallons (1,685 Liters)
<b>Water Capacity (Average Fill)</b> .....	345 US gallons (1,306 Liters)
<b>Electronic Controls</b> .....	Solid state electronic controls with LCD readout, programmable temperature, filtration, and heat cycles
<b>Pump 1</b> .....	North America (60 Hz): 1-Speed, 4.8 HP brake, 2.5 HP continuous, 56 Frame
<b>Export (50 Hz):</b> .....	<b>1-Speed, 2.0 HP continuous</b>
<b>Pump 2</b> .....	North America (60 Hz): 1-Speed, 4.8 HP brake, 2.5 HP continuous, 56 Frame
<b>Export (50 Hz):</b> .....	<b>1-Speed, 2.0 HP continuous</b>
<b>Circulation Pump</b> .....	Yes, 8-hour
<b>Heater</b> .....	North America (60 Hz): 5.5kW High Flow
<b>Export (50 Hz)</b> .....	<b>2.7kW High Flow</b>
<b>Total PowerPro® Jets</b> .....	41
<b>Seat A Jets</b> .....	4 PowerPro® FX, 2 PowerPro® FX Large Rotational, 2 PowerPro® FX Small
<b>Seat B Jets</b> .....	2 PowerPro® FX
<b>Seat C Jets</b> .....	3 PowerPro® MX, 2 PowerPro® FX Rotational, 2 PowerPro® FX Small
<b>Seat D Jets</b> .....	1 PowerPro® FX Large Rotational
<b>Seat E Jets</b> .....	10 PowerPro® FX, 2 PowerPro® FX Small
<b>Seat E HYDROSOOTHE™ Jets</b> .....	2 PowerPro® FX Directional with independent flow rate valve
<b>Seat F Jets</b> .....	2 PowerPro® FX Large, 2 PowerPro® FX Rotational, 2 PowerPro® FX, 2 PowerPro® FX Small
<b>Footwell (G)</b> .....	8 PowerPro® FX Small, 1 PowerPro® FX
<b>Massage Selectors</b> .....	2
<b>Air Controls</b> .....	4, On/Off rocker style
<b>Water Management System</b> .....	Two 60 ft <sup>2</sup> filter cartridges; filter 1 on 8-hour circulation pump; filter 2 on jets pump 1; Factory installed CLEARARRAY Active Oxygen™ Clean Water System
<b>Export (50 Hz):</b> .....	<b>Factory installed CLEARARRAY Active Oxygen™ Clean Water System</b>
<b>LED Lighting</b> .....	One underwater light with 4 color modes, one colored waterfall light, cup holders, 2 HYDROSOOTHE pillow lights, and OPTIONAL exterior light
<b>ProFinish™ Cabinet Colors</b> .....	Modern Hardwood, Brushed Gray, and Smoked Ebony
<b>Acrylic Colors</b> .....	Platinum, Silver Pearl, Monaco, Midnight, Porcelain
<b>Headrests</b> .....	4
<b>Waterfall</b> .....	One independent flow rate (on or off) adjustment; powered by the circulation pump
<b>Electrical Requirements:</b> .....	North America (60 Hz): 240 VAC@40A, 50A, or 60A <b>Export (50 Hz): 230-240 VAC@1x32A, 1x20A/1x16A, 3x16A, or suitably rated circuit breaker to comply with local electrical codes. Certain countries may require dual power inputs; two GFCI RCD breakers are required for this configuration.</b>
<b>Warranty*</b> .....	<b>North America (60 Hz):</b> 10 Years Shell, 7 Years Shell Surface, 5 Years for Plumbing Component Leaks, 5 Years Equipment and Controls, 5 Years Cabinet, 2 Years Jets, 2 Years Lights, 1 Year Stereo; <b>Export (50 Hz): 10 Years Shell, 7 Years Shell Surface, 5 Years Plumbing Component Leaks, 5 Years Equipment and Controls, 5 Years Cabinet, 2 Years Jets, 2 Years Lights, 2 Years Stereo</b>
<b>Special Features (Optional)</b> .....	SmartTub® Module, Exterior Lights
<b>Audio System (Optional)</b> .....	BLUEWAVE® Spa Stereo System (Bluetooth/Aux compatible) with four speakers and subwoofer



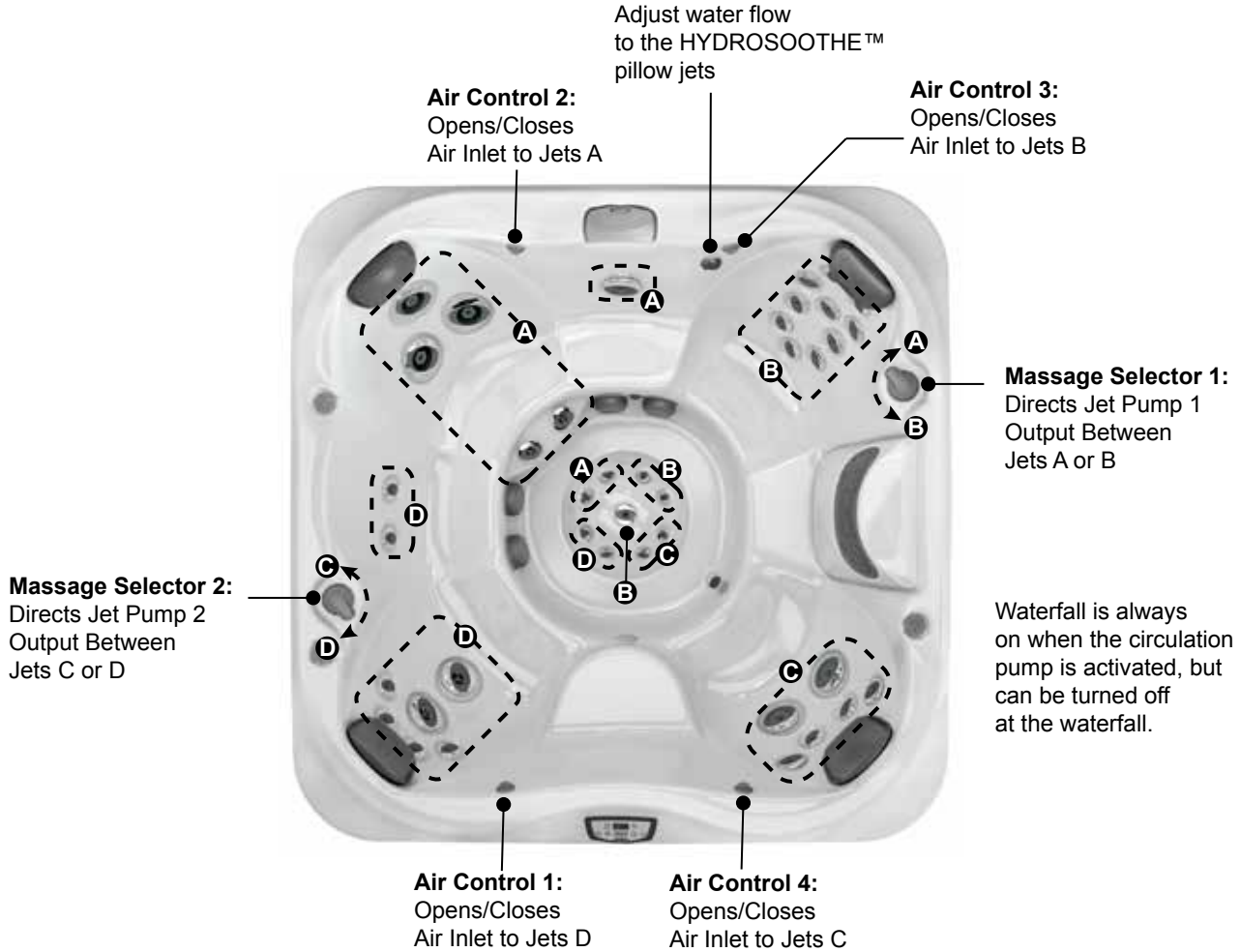
\*(See Warranty Document for Specific Details)

Dimensions/Specifications are Subject to Change Without Notice

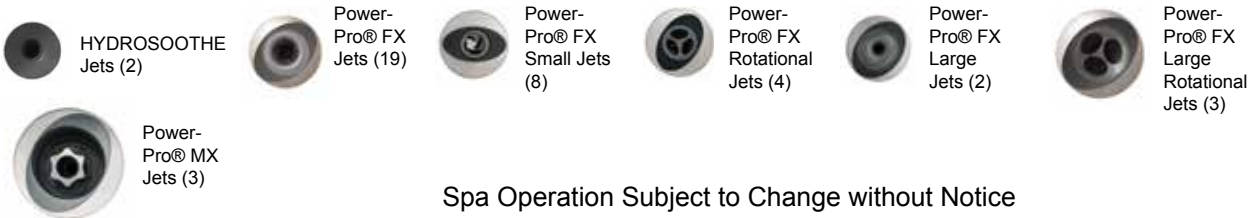


# Jacuzzi J-345

## Operation/Seat Depths



### 41 Total Jets



Spa Operation Subject to Change without Notice

## Seat Depths

- A = 25.25" (64.1 cm)**
- B = 25.25" (64.1 cm)**
- C = 25.13" (63.8 cm)**
- D = 23.50" (59.7 cm)**
- E = 28.50" (72.4 cm)**

- F = 25.13" (63.8 cm)**
- G = 16.75" (42.5 cm)**
- H = 33.50" (85.1 cm)**

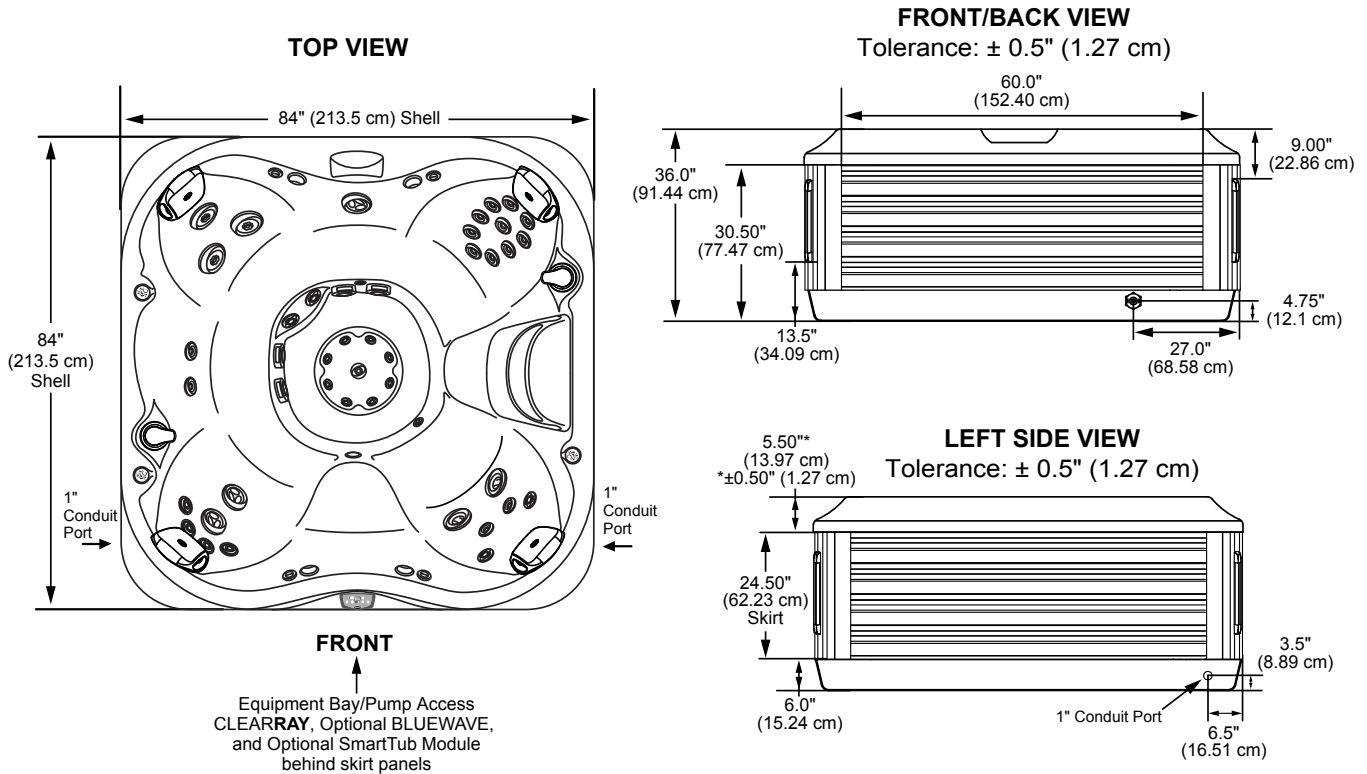
Listed dimensions represent distance from top of acrylic to lowest point in seat. Tolerance  $\pm 0.5"$  (1.27 cm).



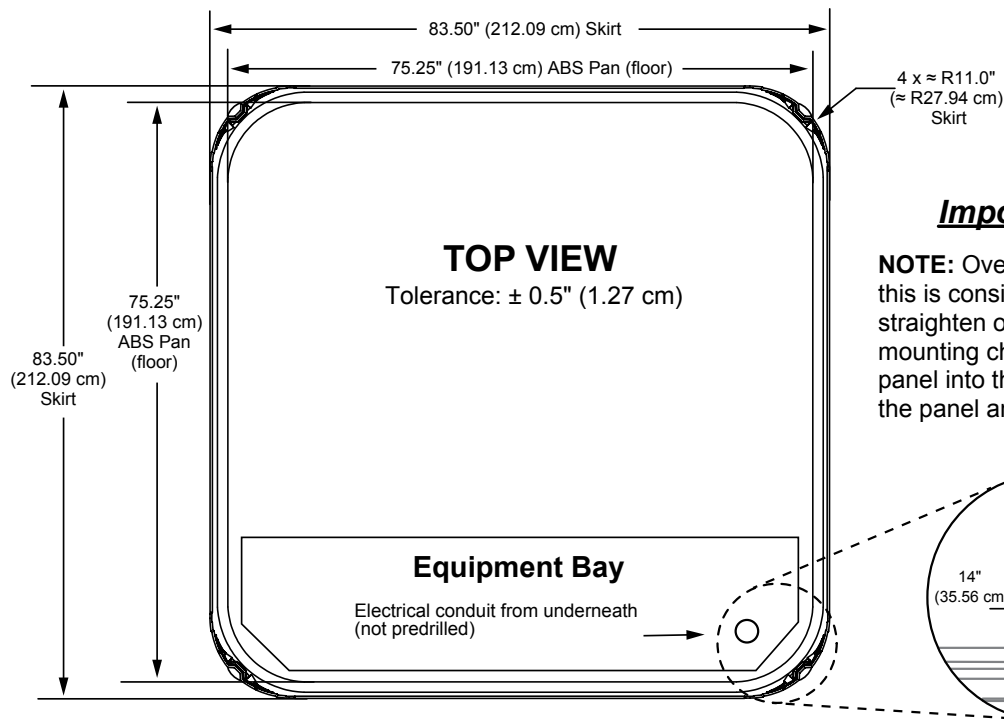
Dimensions/Specifications are Subject to Change Without Notice

# Jacuzzi J-345

## Dimensions

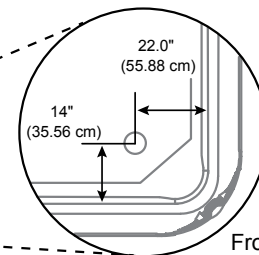


**IMPORTANT!** Always measure each hot tub for exact dimensions **BEFORE** designing its foundational support and/or decking.



### Important Panel Details

**NOTE:** Over time the panel(s) may bow, this is considered normal. The panels will straighten out when reinstalled into the mounting channel. Place one end of the panel into the channel first then flatten the panel and insert the other end.



From the edge of the ABS pan

Dimensions/specifications subject to change without notice. Tolerance  $\pm 0.5"$  (1.27 cm)

# Jacuzzi J-335

## Specifications

Seating Capacity.....	5-6 Adults
Dimensions .....	84" x 84" x 36" (213.5 cm x 213.5 cm x 91.44 cm); <b>For Complete Dimensions, See page 87</b>
Perimeter .....	336 in. (853.4 cm)
Dry Weight.....	764 lbs (347 kg)
Filled Weight (Spa Volume) .....	4,684 lbs (2,125 kg)
Filled Weight (Average Fill).....	3,683 lbs (1,671 kg)
Water Capacity (Spa Volume) .....	450 US gallons (1,703 Liters)
Water Capacity (Average Fill) .....	350 US gallons (1,325 Liters)
Electronic Controls .....	Solid state electronic controls with LCD readout, programmable temperature, filtration, and heat cycles
Pump 1.....	North America (60 Hz): 1-Speed, 4.8 HP brake, 2.5 HP continuous, 56 Frame <b>Export (50 Hz):.....1-Speed, 2.0 HP continuous</b>
Pump 2.....	North America (60 Hz): 1-Speed, 4.8 HP brake, 2.5 HP continuous, 56 Frame <b>Export (50 Hz):.....1-Speed, 2.0 HP continuous</b>
Circulation Pump.....	Yes, 8-hour
Heater .....	North America (60 Hz): 5.5 kW High Flow <b>Export (50 Hz).....2.7 kW High Flow</b>
Total PowerPro® Jets.....	42
Seat A Jets .....	2 PowerPro® FX Large Rotational
Seat B Jets .....	4 PowerPro® FX, 1 PowerPro® FX Large Rotational, 12 PowerPro® BX
Seat C Jets .....	1 PowerPro® FX Large Rotational
Seat D Jets .....	10 PowerPro® FX, 2 PowerPro® FX Rotational
Seat D HYDROSOOTHE™ Jets .....	2 PowerPro® FX Directional with independent flow rate valve
Seat E Jets .....	2 PowerPro® FX, 2 PowerPro® FX Rotational, 2 PowerPro® FX Large
Footwell (F) .....	2 PowerPro® MX
Massage Selectors .....	2
Air Controls.....	3, On/Off rocker style
Water Management System .....	Two 60 ft <sup>2</sup> filter cartridges; filter 1 on 8-hour circulation pump; filter 2 on jets pump 1; Factory installed CLEARRAY Active Oxygen™ Clean Water System <b>Export (50 Hz):.....Factory installed CLEARRAY Active Oxygen™ Clean Water System</b>
LED Lighting .....	One underwater light with 4 color modes, one colored waterfall light, cup holders, 2 HYDROSOOTHE pillow lights, and OPTIONAL exterior light
ProFinish™ Cabinet Colors .....	Modern Hardwood, Brushed Gray, and Smoked Ebony
Acrylic Colors .....	Platinum, Silver Pearl, Monaco, Midnight, Porcelain
Headrests .....	4
Waterfall .....	One independent flow rate (on or off) adjustment; powered by the circulation pump
Electrical Requirements: .....	North America (60 Hz): 240 VAC@40A, 50A, or 60A <b>Export (50 Hz): 230-240 VAC@1x32A, 1x20A/1x16A, 3x16A, or suitably rated circuit breaker to comply with local electrical codes. Certain countries may require dual power inputs; two GFCI RCD breakers are required for this configuration.</b>
Warranty*.....	North America (60 Hz): 10 Years Shell, 7 Years Shell Surface, 5 Years Plumbing Component Leaks, 5 Years Equipment and Controls, 5 Years Cabinet, 2 Years Jets, 2 Years Lights, 1 Year Stereo; <b>Export (50 Hz): 10 Years Shell, 7 Years Shell Surface, 5 Years Plumbing Component Leaks, 5 Years Equipment and Controls, 5 Years Cabinet, 2 Years Jets, 2 Years Lights, 2 Years Stereo</b>
Special Features (Optional) .....	SmartTub® Module, Exterior Lights
Audio System (Optional).....	BLUEWAVE® Spa Stereo System (Bluetooth/Aux compatible) with four speakers and subwoofer

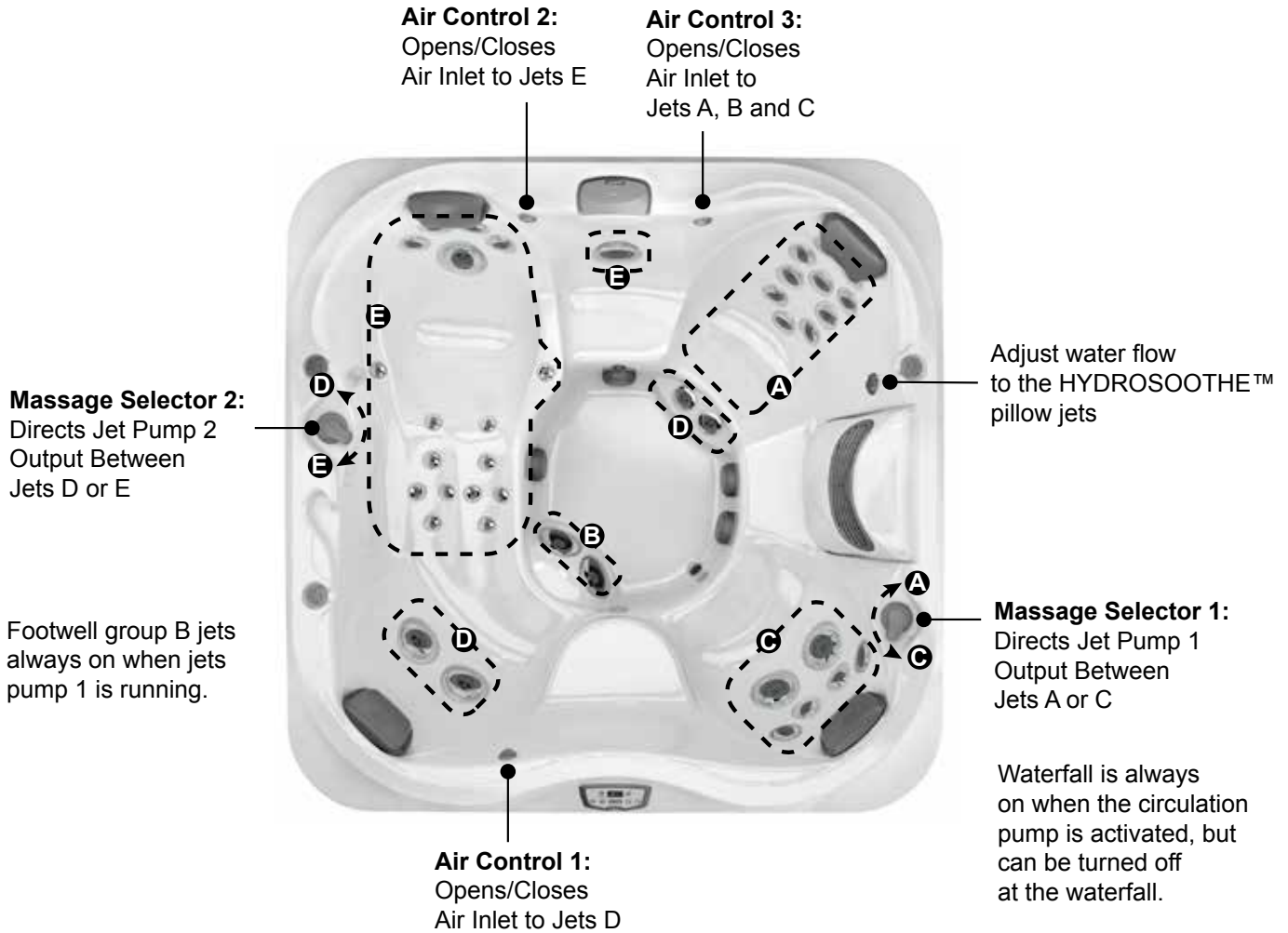


\*(See Warranty Document for Specific Details)

Dimensions/Specifications are Subject to Change Without Notice

# Jacuzzi J-335

## Operation/Seat Depths



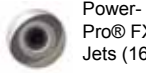
### 42 Total Jets



Power-Pro® BX  
Jets (12)



HYDROSOOTHE  
Jets (2)



Power-Pro® FX  
Jets (16)



Power-Pro® FX  
Rotational  
Jets (4)



Power-Pro® FX  
Large  
Jets (2)



Power-Pro® FX  
Large  
Rotational  
Jets (4)



Power-Pro® MX  
Jets (2)

Spa Operation Subject to Change without Notice

## Seat Depths

**A = 25.75" (65.4 cm)**

**B = 27.50" (69.9 cm)**

**C = 23.50" (59.7 cm)**

**D = 28.25" (71.8 cm)**

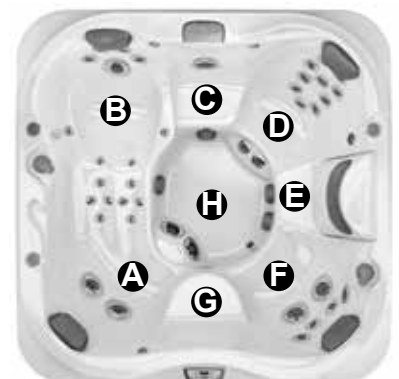
**E = 22.75" (57.8 cm)**

**F = 25.50" (64.8 cm)**

**G = 16.75" (42.5 cm)**

**H = 33.50" (85.1 cm)**

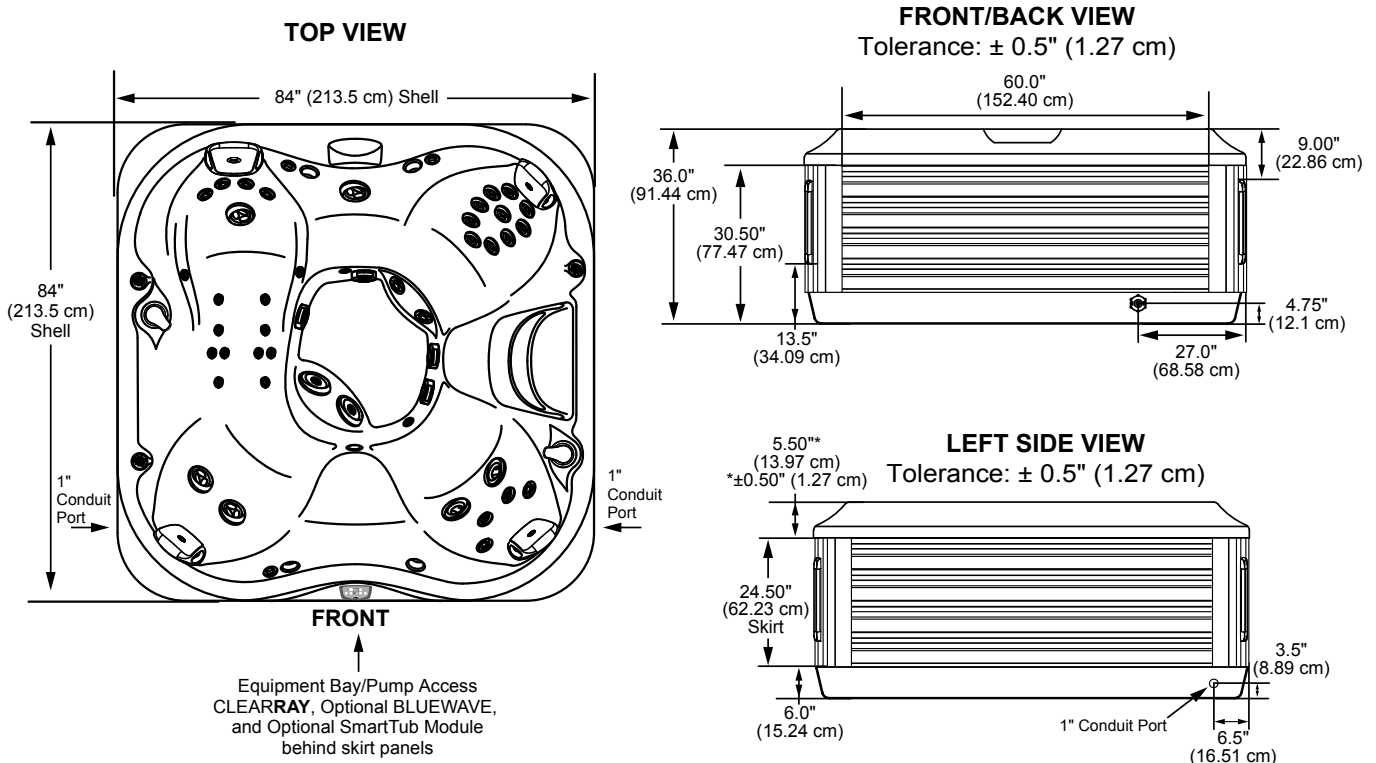
Listed dimensions  
represent distance from  
top of acrylic to lowest  
point in seat. Tolerance  $\pm$   
0.5" (1.27 cm).



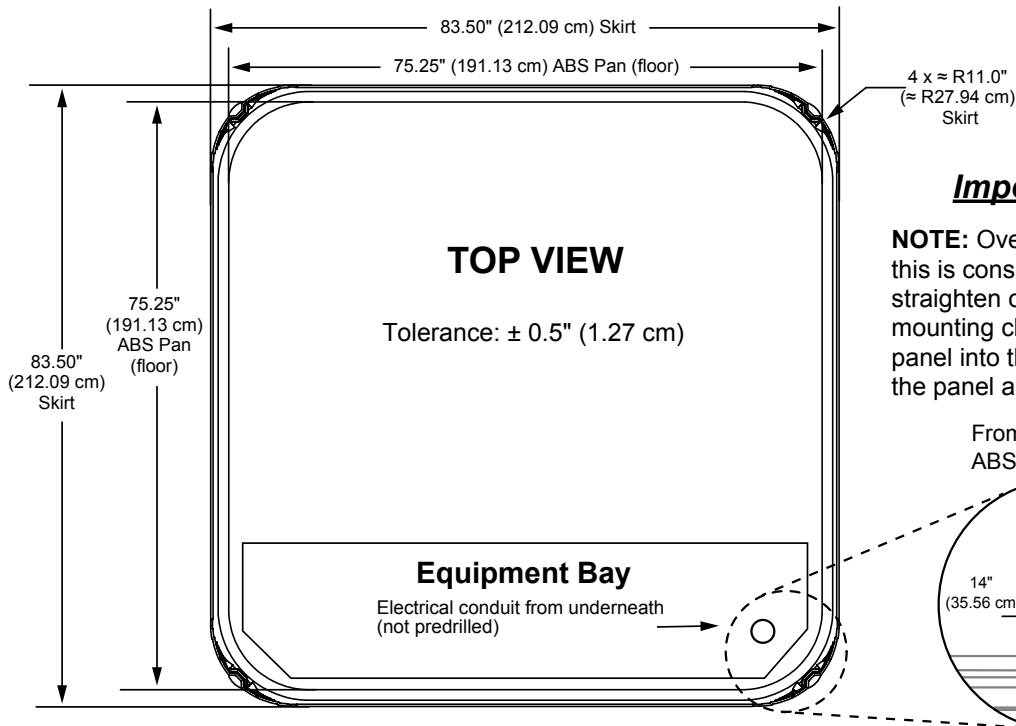
Dimensions/Specifications are Subject to Change Without Notice

# Jacuzzi J-335

## Dimensions



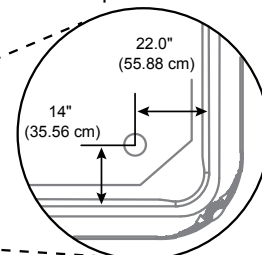
**IMPORTANT!** Always measure each hot tub for exact dimensions **BEFORE** designing its foundational support and/or decking.



### ***Important Panel Details***

**NOTE:** Over time the panel(s) may bow, this is considered normal. The panels will straighten out when reinstalled into the mounting channel. Place one end of the panel into the channel first then flatten the panel and insert the other end.

From the edge of the ABS pan



Dimensions/specifications subject to change without notice. Tolerance  $\pm 0.5"$  (1.27 cm)

# Jacuzzi J-325

## Specifications

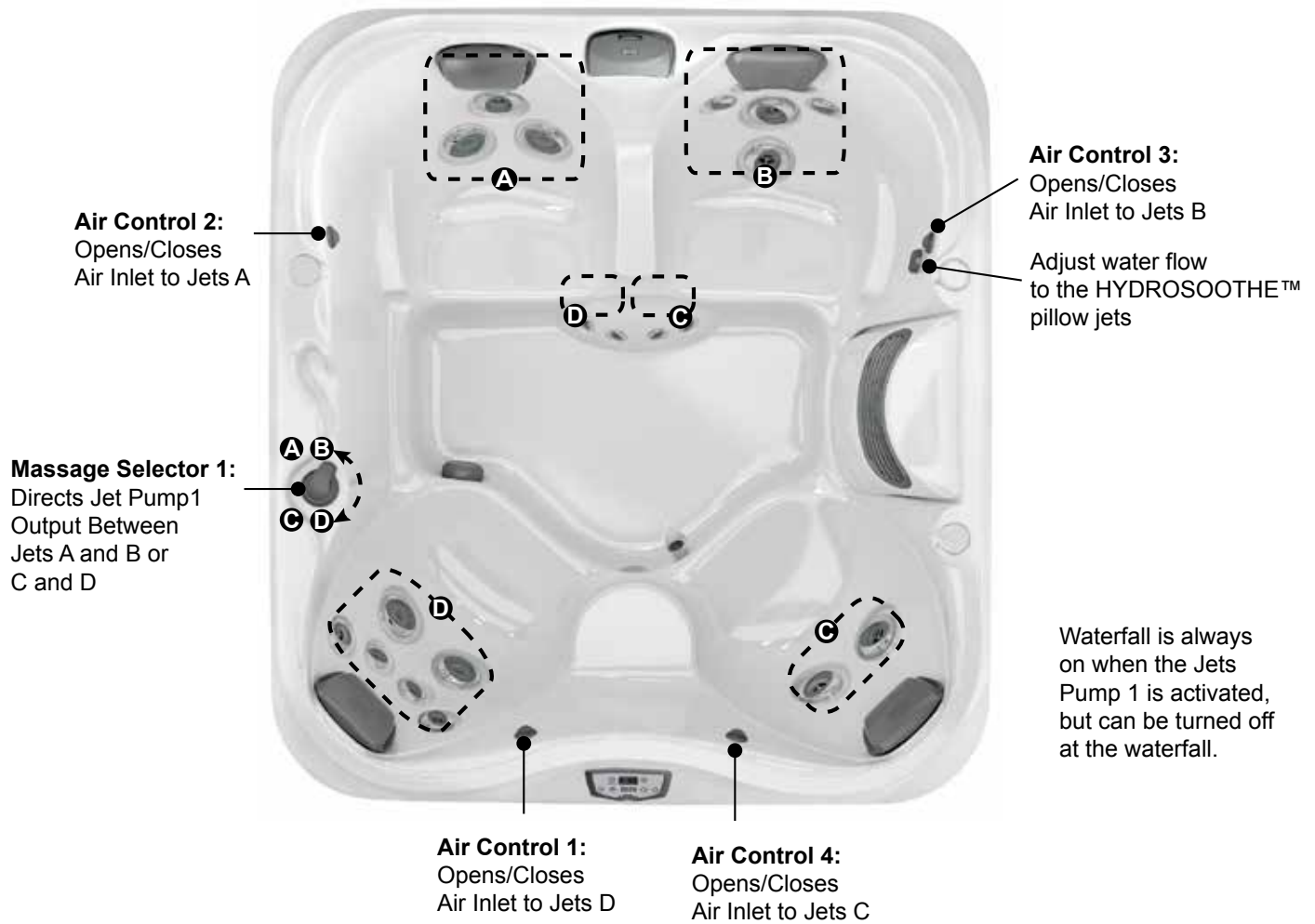
Seating Capacity.....	4-5 Adults	
Dimensions .....	84" x 76" x 33.50" (213.5 cm x 193 cm x 85.09 cm); <b>For Complete Dimensions, See page 87</b>	
Perimeter .....	320 in. (812.8 cm)	
Dry Weight.....	619 lbs (281 kg)	
Filled Weight (Spa Volume) .....	4,372 lbs (1,983 kg)	
Filled Weight (Average Fill).....	3,413 lbs (1,548 kg)	
Water Capacity (Spa Volume) .....	450 US gallons (1,703 Liters)	
Water Capacity (Average Fill) .....	335 US gallons (1,268 Liters)	
Electronic Controls .....	Solid state electronic controls with LCD readout, programmable temperature, filtration, and heat cycles	
Pump 1 (Convertible) .....	North America (60 Hz): 1-Speed, 2.5 HP brake, 1.5 HP continuous, 56 Frame	
(3-Wire 240V).....	North America (60 Hz): 1-Speed, 4.8 HP brake, 2.5 HP continuous, 56 Frame	
Export (50 Hz):.....	<b>1-Speed, 2.0 HP continuous</b>	
Circulation Pump.....	Yes, 8-hour	
Heater (Convertible) .....	North America (60 Hz): 1 kW/4.0 kW Low Flow	
(3-Wire 240V).....	North America (60 Hz): 4.0 kW Low Flow	
Export (50 Hz).....	<b>2.7 kW Low Flow</b>	
Total PowerPro® Jets.....	23	
Seat A Jets .....	2 PowerPro® FX, 2 PowerPro® FX Rotational, 2 PowerPro® FX Large	
Seat B Jets .....	1 PowerPro® FX Large Rotational, 2 PowerPro® FX Large	
Seat C Jets .....	4 PowerPro® FX, 2 PowerPro® FX Large Rotational	
Seat C HYDROSOOTHE™ Jets .....	2 PowerPro® FX Directional with independent flow rate valve	
Seat D Jets .....	2 PowerPro® FX Large Rotational	
Footwell (E) .....	4 PowerPro® FX Small	
Massage Selectors .....	1	
Air Controls .....	4, On/Off rocker style	
Water Management System .....	Two 60 ft <sup>2</sup> filter cartridges; filter 1 on 8-hour circulation pump; filter 2 on jets pump 1; Factory installed CLEARARRAY Active Oxygen™ Clean Water System	
Export (50 Hz):.....	<b>Factory installed CLEARARRAY Active Oxygen™ Clean Water System</b>	
LED Lighting .....	One underwater light with 4 color modes, one colored waterfall light, 2 HYDROSOOTHE pillow lights, and OPTIONAL exterior light	
ProFinish™ Cabinet Colors .....	Modern Hardwood, Brushed Gray, and Smoked Ebony	
Acrylic Colors .....	Platinum, Silver Pearl, Monaco, Midnight, Porcelain	
Headrests .....	4	
Waterfall .....	One independent flow rate (on or off) adjustment; powered by the circulation pump	
Electrical Requirements: .....	North America (60 Hz): Convertible 120 VAC@15A or 240 VAC@30A, 40A, North America (60 Hz): 3-Wire 240V@30A, 40A <b>Export (50 Hz): 230-240 VAC@1x16A or 2x16A, or suitably rated circuit breaker to comply with local electrical codes. Certain countries may require dual power inputs; two GFCI RCD Breakers are required for this configuration.</b>	
Warranty* .....	North America (60 Hz): 10 Years Shell, 7 Years Shell Surface, 5 Years Plumbing Component Leaks, 5 Years Equipment and Controls, 5 Years Cabinet, 2 Years Jets, 2 Years Lights, 1 Year Stereo; <b>Export (50 Hz): 10 Years Shell, 7 Years Shell Surface, 5 Years Plumbing Component Leaks, 5 Years Equipment and Controls, 5 Years Cabinet, 2 Years Jets, 2 Years Lights, 2 Years Stereo</b>	
Special Features (Optional) .....	SmartTub® Module, Exterior Lights	
Audio System (Optional).....	BLUEWAVE® Spa Stereo System (Bluetooth/Aux compatible) with four speakers and subwoofer	

\*(See Warranty Document for Specific Details)

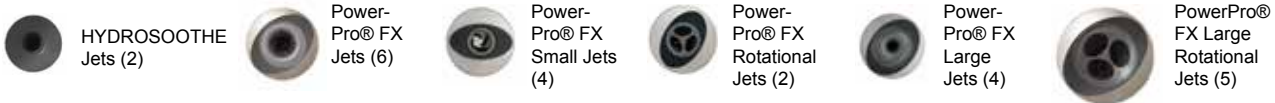
Dimensions/Specifications are Subject to Change Without Notice

# Jacuzzi J-325

## Operation/Seat Depths



### 23 Total Jets



Spa Operation Subject to Change without Notice

## Seat Depths

- A = 27.38" (69.5 cm)
- B = 27.38" (69.5 cm)
- C = 27.38" (69.5 cm)
- D = 25.75" (65.4 cm)
- E = 16.63" (42.2 cm)
- F = 31.25" (79.4 cm)

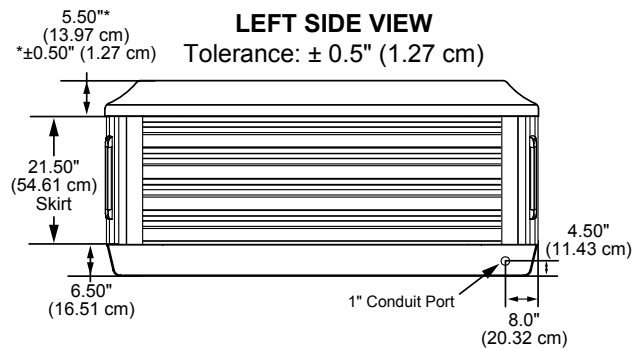
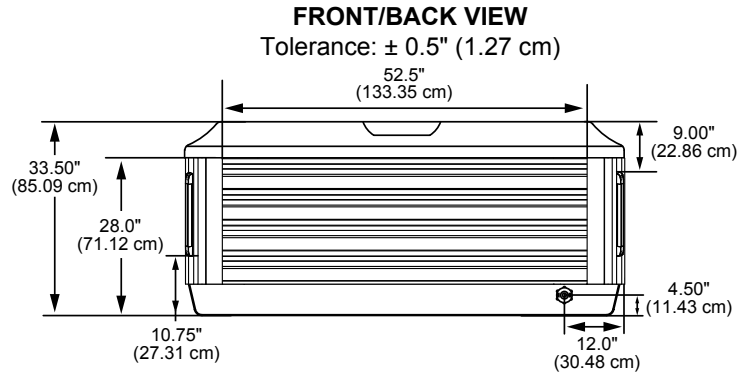
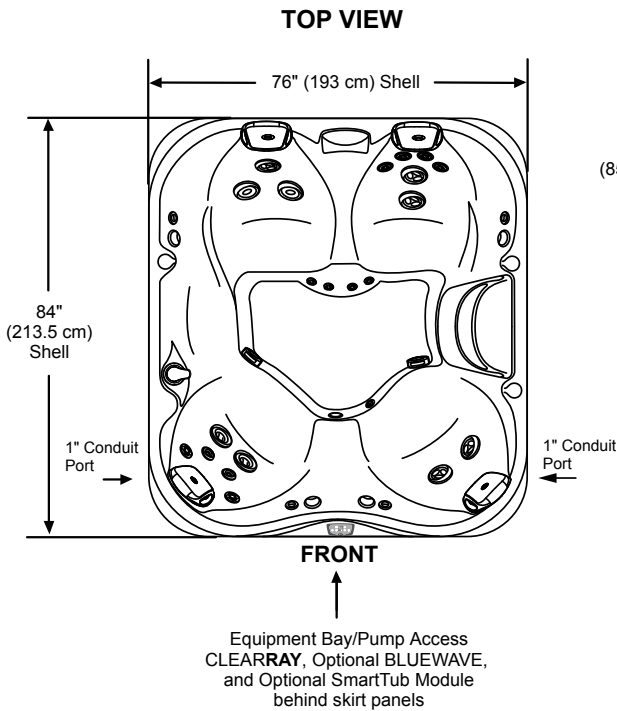
Listed dimensions represent distance from top of acrylic to lowest point in seat.  
Tolerance  $\pm 0.5"$  (1.27 cm).



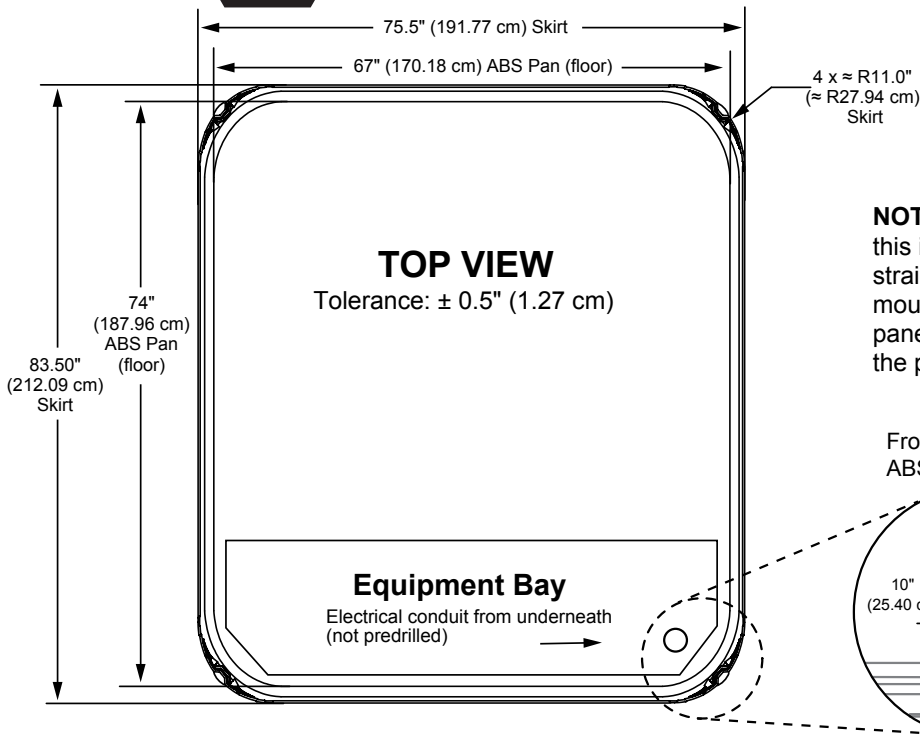
Dimensions/Specifications are Subject to Change Without Notice

# Jacuzzi J-325

## Dimensions



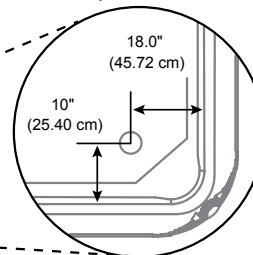
**IMPORTANT!** Always measure each hot tub for exact dimensions **BEFORE** designing its foundational support and/or decking.



### Important Panel Details

**NOTE:** Over time the panel(s) may bow, this is considered normal. The panels will straighten out when reinstalled into the mounting channel. Place one end of the panel into the channel first then flatten the panel and insert the other end.

From the edge of the ABS pan



Dimensions/specifications subject to change without notice. Tolerance  $\pm 0.5"$  (1.27 cm)



# Jacuzzi J-315

## Specifications

<b>Seating Capacity</b> .....	2-3 Adults
<b>Dimensions</b> .....	66" x 76" x 31.75" (168 cm x 193 cm x 80.65 cm); <b>For Complete Dimensions, See page 87</b>
<b>Perimeter</b> .....	284 in. (721.4 cm)
<b>Dry Weight</b> .....	531 lbs (241 kg)
<b>Filled Weight (Spa Volume)</b> .....	2,866 lbs (1,300 kg)
<b>Filled Weight (Average Fill)</b> .....	2,282 lbs (1,035 kg)
<b>Water Capacity (Spa Volume)</b> .....	280 US gallons (1,060 Liters)
<b>Water Capacity (Average Fill)</b> .....	210 US gallons (795 Liters)
<b>Electronic Controls</b> .....	Solid state electronic controls with LCD readout, programmable temperature, filtration, and heat cycles
<b>Pump 1 (Convertible)</b> .....	North America (60 Hz): 1-Speed, 2.5 HP brake, 1.5 HP continuous, 56 Frame
<b>(3-Wire 240V)</b> .....	North America (60 Hz): 1-Speed, 4.8 HP brake, 2.5 HP continuous, 56 Frame
<b>Export (50 Hz):</b> .....	<b>1-Speed, 2.0 HP continuous</b>
<b>Circulation Pump</b> .....	Yes, 8-hour
<b>Heater (Convertible)</b> .....	North America (60 Hz): 1 kW/4.0 kW Low Flow
<b>(3-Wire 240V)</b> .....	North America (60 Hz): 4.0 kW Low Flow
<b>Export (50 Hz)</b> .....	<b>2.7 kW Low Flow</b>
<b>Total PowerPro® Jets</b> .....	23
<b>Seat A Jets</b> .....	2 PowerPro® FX Rotational, 2 PowerPro® FX
<b>Seat B Jets</b> .....	6 PowerPro® FX, 2 PowerPro® FX Large Rotational, 6 PowerPro® BX
<b>Seat B HYDROSOOTHE™ Jets</b> .....	2 PowerPro® FX Directional with independent flow rate valve
<b>Seat C Jets</b> .....	1 PowerPro® FX Large Rotational, 2 PowerPro® FX Large Rotational
<b>Massage Selectors</b> .....	1
<b>Air Controls</b> .....	3, On/Off rocker style
<b>Water Management System</b> .....	Two 60 ft <sup>2</sup> filter cartridges; filter 1 on 8-hour circulation pump; filter 2 on jets pump 1; Factory installed CLEARRAY Active Oxygen™ Clean Water System
<b>Export (50 Hz):</b> .....	<b>Factory installed CLEARRAY Active Oxygen™ Clean Water System</b>
<b>LED Lighting</b> .....	One underwater light with 4 color modes, one colored waterfall light, 2 HYDROSOOTHE pillow lights, and OPTIONAL exterior light
<b>ProFinish™ Cabinet Colors</b> .....	Modern Hardwood, Brushed Gray, and Smoked Ebony
<b>Acrylic Colors</b> .....	Platinum, Silver Pearl (Gypsum), Monaco, Midnight, Porcelain
<b>Headrests</b> .....	3
<b>Waterfall</b> .....	One independent flow rate (on or off) adjustment; powered by the circulation pump
<b>Electrical Requirements:</b> .....	North America (60 Hz): Convertible 120 VAC@15A or 240 VAC@30A, 40A North America (60 Hz): 3-Wire 240V@30A, 40A <b>Export (50 Hz): 230-240 VAC@1x16A, or 2x16A, or suitably rated circuit breaker to comply with local electrical codes. Certain countries may require dual power inputs; two GFCI RCD breakers are required for this configuration.</b>
<b>Warranty*</b> .....	North America (60 Hz): 10 Years Shell, 7 Years Shell Surface, 5 Years Plumbing Component Leaks, 5 Years Equipment and Controls, 5 Years Cabinet, 2 Years Jets, 2 Years Lights, 1 Year Stereo; <b>Export (50 Hz): 10 Years Shell, 7 Years Shell Surface, 5 Years Plumbing Component Leaks, 5 Years Equipment and Controls, 5 Years Cabinet, 2 Years Jets, 2 Years Lights, 2 Years Stereo</b>
<b>Special Features (Optional)</b> .....	SmartTub® Module, Exterior Lights
<b>Audio System (Optional)</b> .....	BLUEWAVE® Spa Stereo System (Bluetooth/Aux compatible) with four speakers and subwoofer

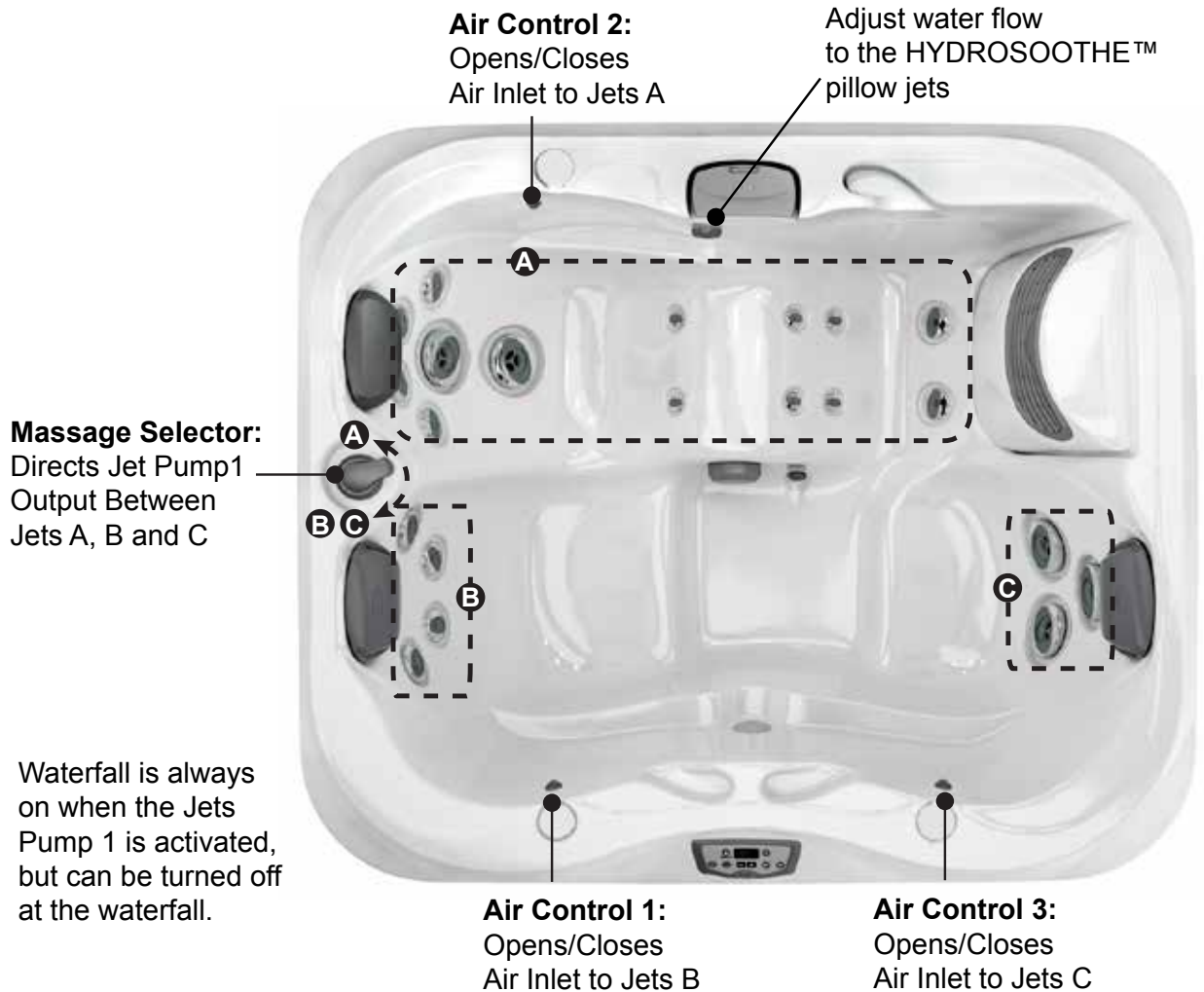


\*(See Warranty Document for Specific Details)

Dimensions/Specifications are Subject to Change Without Notice

# Jacuzzi J-315

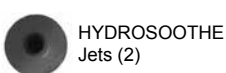
## Operation/Seat Depths



### 23 Total Jets



Power-Pro® BX  
Jets (6)



HYDROSOOTHE  
Jets (2)



Power-Pro® FX  
Jets (8)



Power-Pro® FX  
Rotational  
Jets (2)



Power-Pro® FX  
Large  
Jets (2)



Power-Pro® FX  
Large  
Rotational  
Jets (3)

Spa Operation Subject to Change without Notice

## Seat Depths

- A = 27.50" (69.9 cm)**
- B = 26.25" (66.7 cm)**
- C = 27.88" (70.8 cm)**
- D = 26.75" (69.4 cm)**
- E = 27.50" (69.9 cm)**

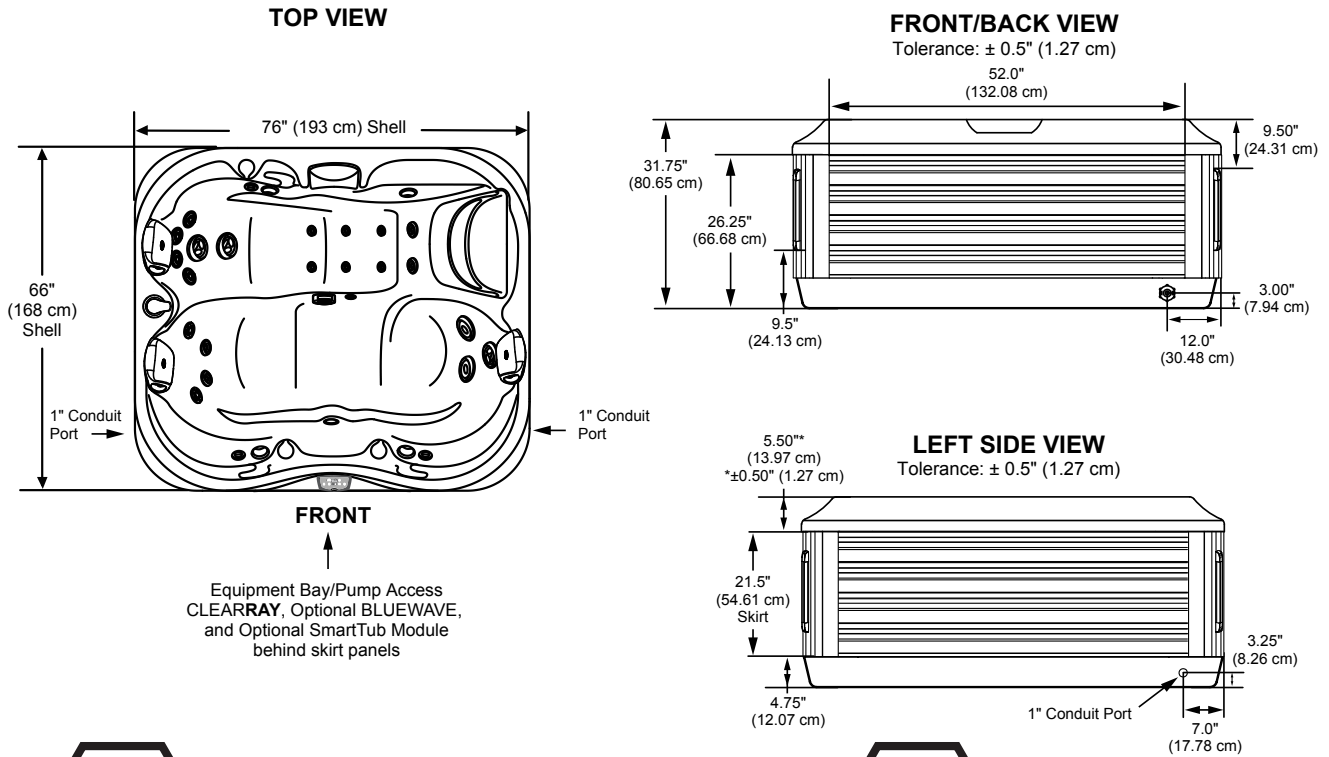
Listed dimensions  
represent distance from  
top of acrylic to lowest  
point in seat. Tolerance  
± 0.5" (1.27 cm).



Dimensions/Specifications are Subject to Change Without Notice

# Jacuzzi J-315

## Dimensions

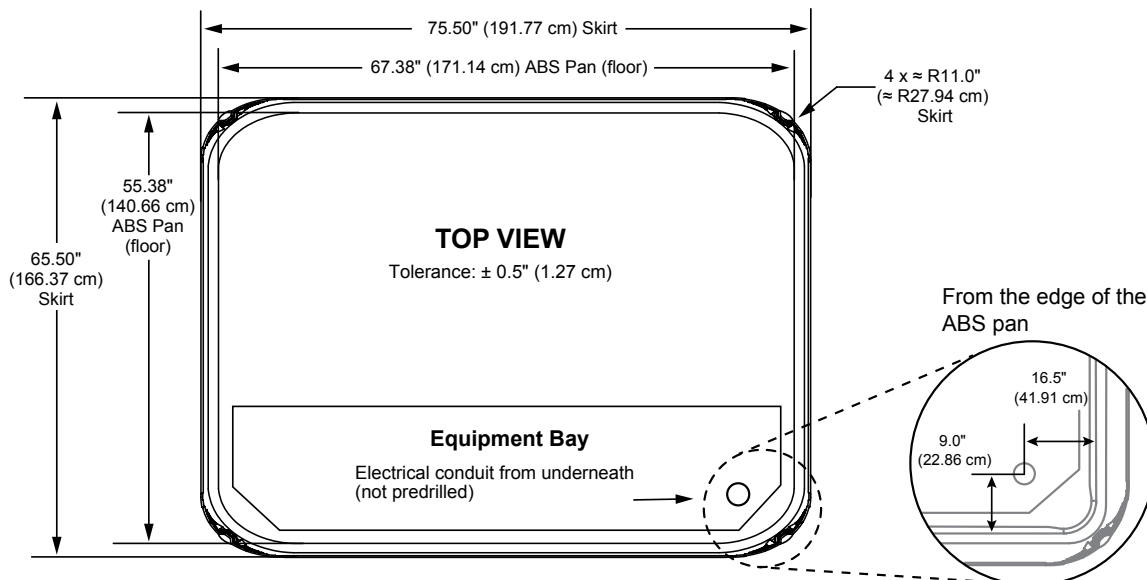


**IMPORTANT!** Always measure each hot tub for exact dimensions **BEFORE** designing its foundational support and/or decking.



### Important Panel Details

**NOTE:** Over time the panel(s) may bow, this is considered normal. The panels will straighten out when reinstalled into the mounting channel. Place one end of the panel into the channel first then flatten the panel and insert the other end.



Dimensions/specifications subject to change without notice. Tolerance  $\pm 0.5"$  (1.27 cm)

# Jacuzzi J-285

## Specifications

<b>Seating Capacity</b> .....	6-7 Adults
<b>Dimensions</b> .....	89" x 89" x 36" (226 cm x 226 cm x 91 cm); <b>For Complete Dimensions, See page 88</b>
<b>Perimeter</b> .....	356 in. (904.24 cm)
<b>Dry Weight</b> .....	777 lbs (352 kg)
<b>Filled Weight (Spa Volume)</b> .....	4,905 lbs (2,225 kg)
<b>Filled Weight (Average Fill)</b> .....	3,821 lbs (1,733 kg)
<b>Water Capacity (Spa Volume)</b> ...	495 US gallons (1,874 Liters)
<b>Water Capacity (Average Fill)</b> ...	365 US gallons (1,382 Liters)
<b>Electronic Controls</b> .....	Solid state electronic controls with LED readout, programmable temperature, filtration, and heat cycles
<b>Pump 1</b> .....	North America (60 Hz): 2-Speed, 4.5 HP brake, 2.5 HP continuous, 56 Frame
<b>Export (50 Hz):</b> .....	<b>2-Speed, 2.0 HP continuous</b>
<b>Pump 2</b> .....	North America (60 Hz): 1-Speed, 4.8 HP brake, 2.5 HP continuous, 56 Frame
<b>Export (50 Hz):</b> .....	<b>1-Speed, 2.0 HP continuous</b>
<b>Circulation Pump</b> .....	No
<b>Total Jets</b> .....	42
<b>Seat A Jets</b> .....	2 SL, 4 SL3R
<b>Seat B Jets</b> .....	2 SL5
<b>Seat C Jets</b> .....	2 SL, 1 SL3, 8 SLR
<b>Seat D Jets</b> .....	1 SL5
<b>Seat E Jets</b> .....	2 SL, 6 SL3
<b>Seat F Jets</b> .....	4 SL3R, 2 SL5R
<b>Footwell (G)</b> .....	8 SL
<b>Massage Selectors</b> .....	None
<b>Air Controls</b> .....	2
<b>Water Management System</b> .....	One 50 ft <sup>2</sup> filter cartridge on jets pump 1, Factory installed CLEARRAY® unit
<b>Export (50 Hz):</b> .....	<b>Factory installed CLEARRAY® unit</b>
<b>LED Lighting</b> .....	LED Lighting System (Interior Surround); Standard Exterior Light
<b>Cabinet Colors</b> .....	Smoked, Charcoal
<b>Acrylic Colors</b> .....	Platinum, Silver Pearl, Monaco, Midnight, Porcelain
<b>Headrests</b> .....	4
<b>Electrical Requirements:</b> .....	North America (60 Hz): 240 VAC@40A, 50A or 60A <b>Export (50 Hz): 230-240 VAC@1x16A, 1x32A or 2 out of 3-phase (see manual) or suitably rated circuit breaker to comply with local electrical codes. Certain countries may require dual power inputs; two GFCI RCD breakers are required for this configuration.</b>
<b>Warranty*</b> .....	North America (60 Hz): 5 Years Shell, 3 Years Shell Surface, 3 Years Plumbing Component Leaks, 3 Years Equipment and Controls, 1 Year Cabinet, 1 Year Jets <b>Export (50 Hz): 5 Years Shell, 3 Years Shell Surface, 3 Years Plumbing Component Leaks, 3 Years Equipment and Controls, 1 Year Cabinet, 1 Year Jets</b>
<b>Alternative Insulation (Standard):</b>	Yes (Insulation Panels)
<b>Special Features (Optional)</b> .....	Factory Installed SmartTub® Module
<b>Audio System (Optional)</b> .....	N/A



\*(See Warranty Document for Specific Details)

Dimensions/Specifications are Subject to Change Without Notice

# Jacuzzi J-285

## Operation/Seat Depths



**Air Control 1:**  
Opens/Closes  
Air Inlet to Jet  
Group A

**Air Control 2:**  
Opens/Closes  
Air Inlet to Jet  
Group B

Group A Jets are  
always on when  
Pump 1 is running.

Group B Jets are  
always on when  
Pump 2 is running.

### 42 Total Jets



SL Jets (14)



SLR Jets (8)



SL3 Jets (7)



SL3R Jets (8)



SL5 Jets (3)



SL5R Jets (2)

Spa Operation Subject to Change without Notice

## Seat Depths

**A = 26.00" (66.04 cm)**  
**B = 21.75" (55.25 cm)**  
**C = 25.00" (63.50 cm)**  
**D = 21.63" (54.93 cm)**  
**E = 27.00" (68.58 cm)**  
**F = 18.00" (45.72 cm)**

**G = 23.25" (59.06 cm)**  
**H = 17.25" (43.82 cm)**  
**I = 30.00" (76.20 cm)**

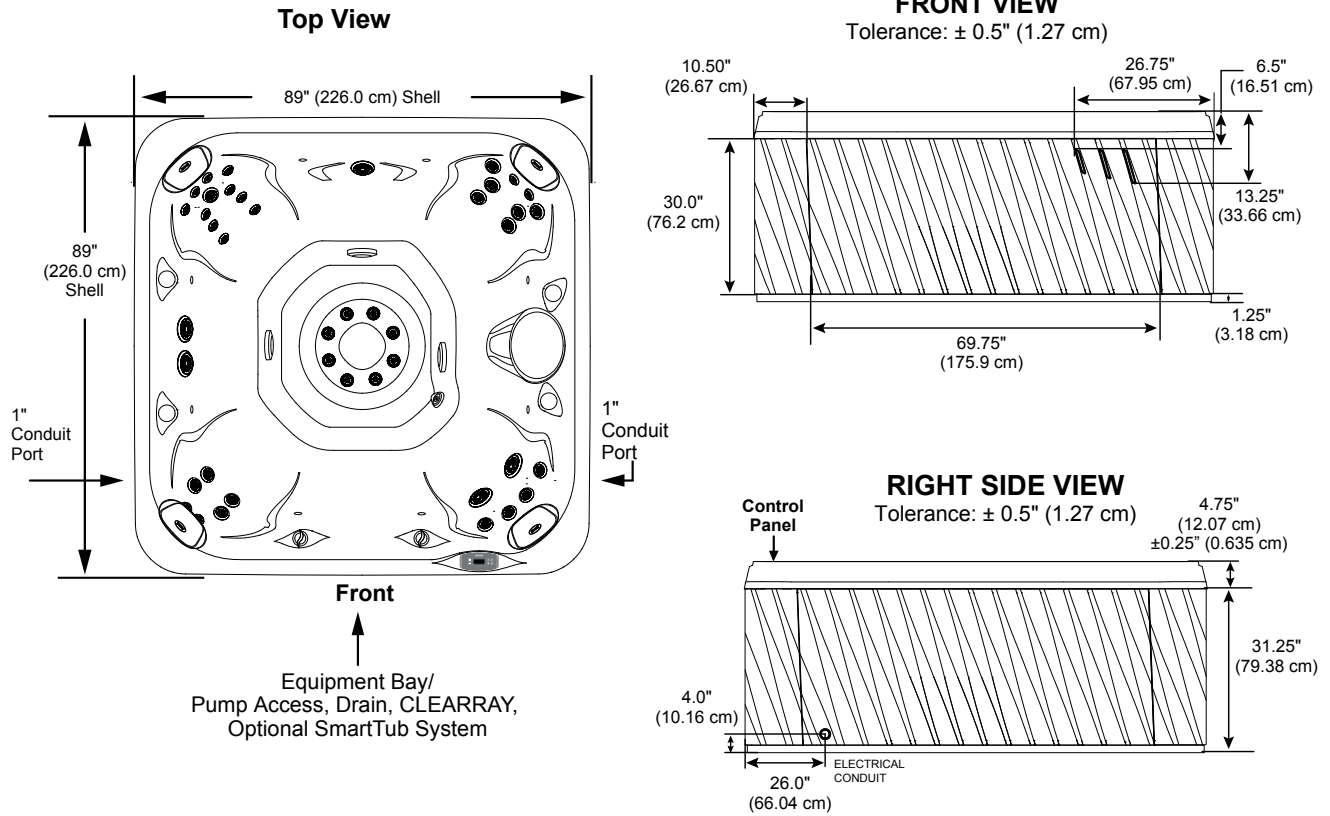
Listed dimensions  
represent distance from  
top of acrylic to lowest  
point in seat. Tolerance  
± 0.5" (1.27 cm).



Dimensions/Specifications are Subject to Change Without Notice

# Jacuzzi J-285

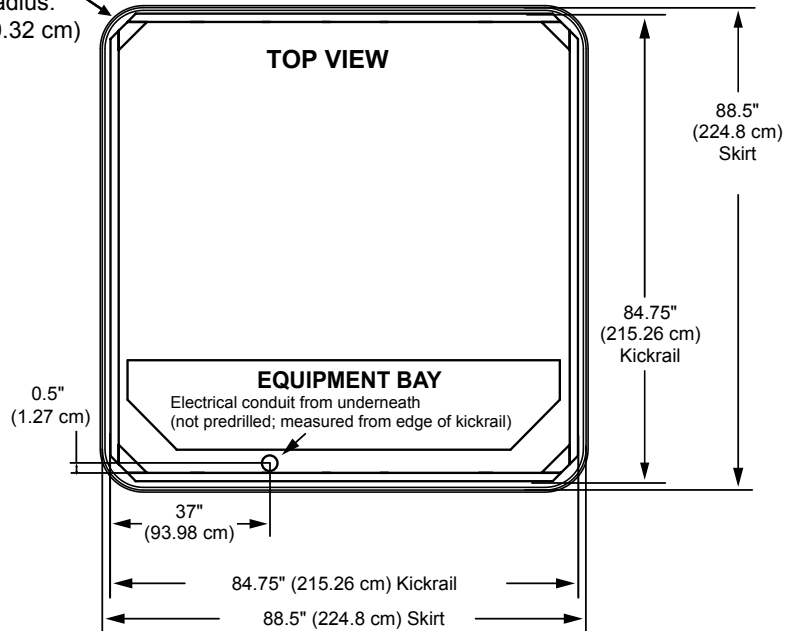
## Dimensions



**IMPORTANT! Always measure each hot tub for exact dimensions BEFORE designing its foundational support and/or decking.**



Cabinet Radius:  
 $\approx 10.0"$  (20.32 cm)



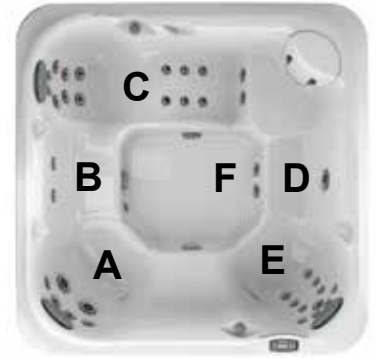
Dimensions/specifications subject to change without notice. Tolerance:  $\pm 0.5"$  (1.27 cm)

Dimensions/specifications subject to change without notice. Tolerance  $\pm 0.5"$  (1.27 cm)

# Jacuzzi J-275

## Specifications

<b>Seating Capacity</b> .....	6 Adults
<b>Dimensions</b> .....	89" x 89" x 36" (226 cm x 226 cm x 91 cm); <b>For Complete Dimensions, See page 88</b>
<b>Perimeter</b> .....	356 in. (904.24 cm)
<b>Dry Weight</b> .....	714 lbs (324 kg)
<b>Filled Weight (Spa Volume)</b> .....	4,801 lbs (2,178 kg)
<b>Filled Weight (Average Fill)</b> .....	3,716 lbs (1,686 kg)
<b>Water Capacity (Spa Volume)</b> .....	490 US gallons (1,855 Liters)
<b>Water Capacity (Average Fill)</b> .....	360 US gallons (1,363 Liters)
<b>Electronic Controls</b> .....	Solid state electronic controls with LED readout, programmable temperature, filtration, and heat cycles
<b>Pump 1</b> .....	North America (60 Hz): 2-Speed, 4.5 HP brake, 2.5 HP continuous, 56 Frame
<b>Export (50 Hz):</b> .....	<b>2-Speed, 2.0 HP continuous</b>
<b>Pump 2</b> .....	North America (60 Hz): 1-Speed, 4.8 HP brake, 2.5 HP continuous, 56 Frame
<b>Export (50 Hz):</b> .....	<b>1-Speed, 2.0 HP continuous</b>
<b>Circulation Pump</b> .....	No
<b>Total Jets</b> .....	38
<b>Seat A Jets</b> .....	4 SL3R, 2 SL5R
<b>Seat B Jets</b> .....	2 SL3R
<b>Seat C Jets</b> .....	6 SL, 8 SL3, 2 SLR
<b>Seat D Jet</b> .....	1 SL5
<b>Seat E Jets</b> .....	8 SL, 2 SLR, 1 SL3
<b>Footwell (F)</b> .....	2 SL3
<b>Massage Selectors</b> .....	None
<b>Air Controls</b> .....	2
<b>Water Management System</b> .....	One 50 ft <sup>2</sup> filter cartridge on jets pump 1, Factory installed CLEARRAY® unit
<b>Export (50 Hz):</b> .....	<b>Factory installed CLEARRAY® unit</b>
<b>LED Lighting</b> .....	LED Lighting System (Interior Surround); Standard Exterior Light
<b>Cabinet Colors</b> .....	Smoked, Charcoal
<b>Acrylic Colors</b> .....	Platinum, Silver Pearl, Monaco, Midnight, Porcelain
<b>Headrests</b> .....	3
<b>Electrical Requirements:</b> .....	North America (60 Hz): 240 VAC@40A, 50A or 60A <b>Export (50 Hz): 230 VAC@1x16A, 1x32A or 2 out of 3-phase (see manual) or suitably rated circuit breaker to comply with local electrical codes. Certain countries may require dual power inputs; two GFCI RCD breakers are required for this configuration.</b>
<b>Warranty*</b> .....	North America (60 Hz): 5 Years Shell, 3 Years Shell Surface, 3 Years Plumbing Component Leaks, 3 Years Equipment and Controls, 1 Year Cabinet, 1 Year Jets <b>Export (50 Hz): 5 Years Shell, 3 Years Shell Surface, 3 Years Plumbing Component Leaks, 3 Years Equipment and Controls, 1 Year Cabinet, 1 Year Jets</b>
<b>Alternative Insulation (Standard):</b>	Yes (Insulation Panels)
<b>Special Features (Optional)</b> .....	Factory installed SmartTub® Module
<b>Audio System (Optional)</b> .....	N/A



\*(See Warranty Document for Specific Details)

Dimensions/Specifications are Subject to Change Without Notice

# Jacuzzi J-275

## Operation/Seat Depths



**Air Control 2:**  
Opens/Closes  
Air Inlet to Jet  
Group B

**Air Control 1:**  
Opens/Closes  
Air Inlet to Jet  
Group A

Group A Jets are  
always on when  
Pump 1 is running.

Group B Jets are  
always on when  
Pump 2 is running.

### 38 Total Jets



SL Jets (14)



SLR Jets (4)



SL3 Jets (11)



SL3R Jets (6)



SL5 Jet (1)



SL5R Jets (2)

Spa Operation Subject to Change without Notice

## Seat Depths

**A = 24.50" (62.23 cm)**

**B = 21.50" (54.61 cm)**

**C = 24.75" (62.87 cm)**

**D = 25.50" (64.77 cm)**

**E = 17.50" (44.45 cm)**

**F = 21.38" (54.29 cm)**

**G = 25.75" (65.41 cm)**

**H = 17.25" (43.82 cm)**

**I = 30.00" (76.20 cm)**

Listed dimensions  
represent distance from  
top of acrylic to lowest  
point in seat. Tolerance  
± 0.5" (1.27 cm).

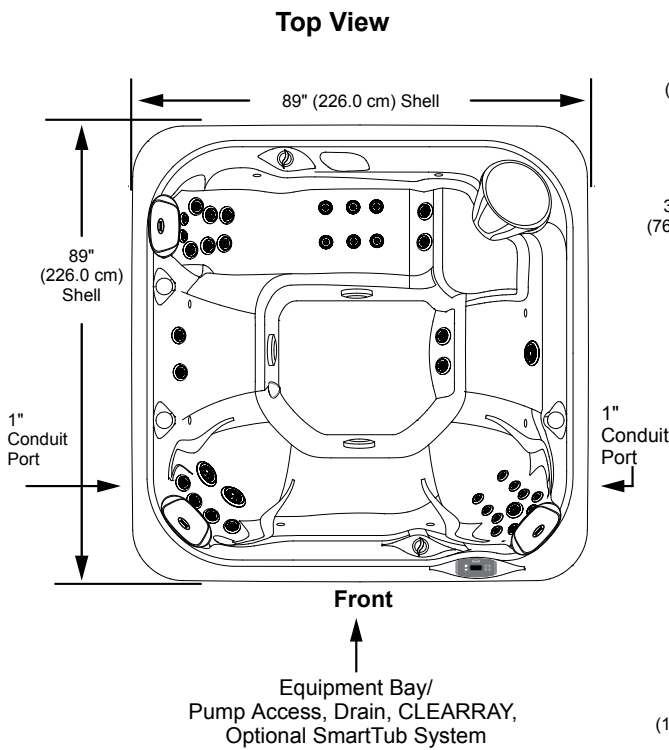


Dimensions/Specifications are Subject to Change Without Notice

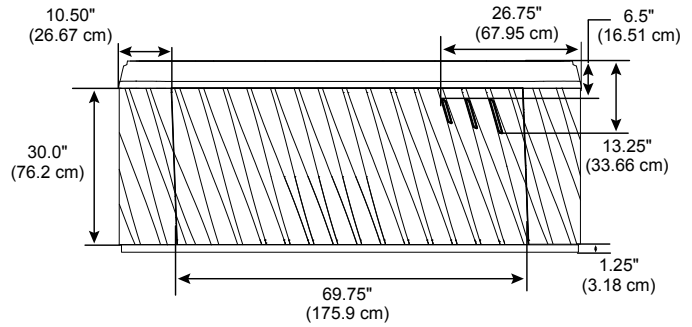


# Jacuzzi J-275

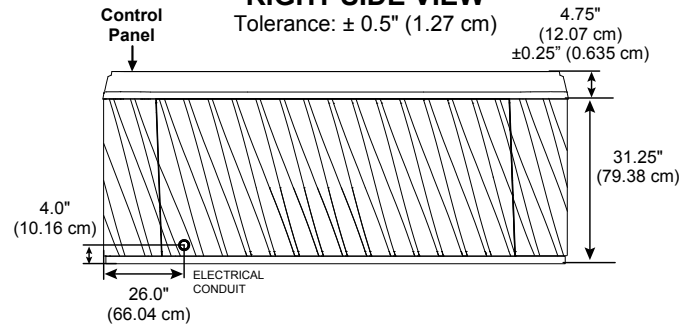
## Dimensions



**FRONT VIEW**  
Tolerance:  $\pm 0.5"$  (1.27 cm)



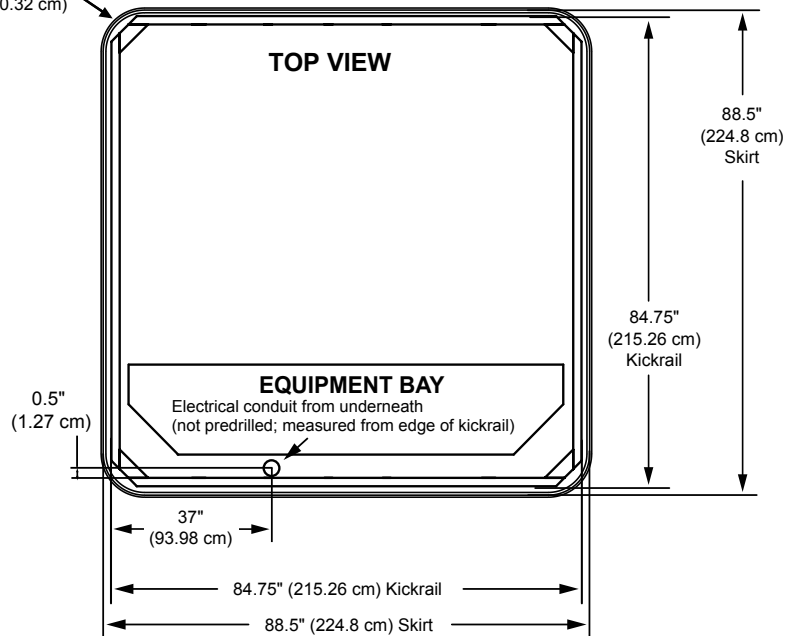
**RIGHT SIDE VIEW**  
Tolerance:  $\pm 0.5"$  (1.27 cm)



**IMPORTANT! Always measure each hot tub for exact dimensions BEFORE designing its foundational support and/or decking.**



Cabinet Radius:  
 $\approx 10.0"$  (20.32 cm)




Dimensions/specifications subject to change without notice. Tolerance:  $\pm 0.5"$  (1.27 cm)

Dimensions/specifications subject to change without notice. Tolerance  $\pm 0.5"$  (1.27 cm)

# Jacuzzi J-245

## Specifications

<b>Seating Capacity</b> .....	6-7 Adults	
<b>Dimensions</b> .....	84" x 84" x 36" (213 cm x 213 cm x 91 cm); <b>For Complete Dimensions, See page 88</b>	
<b>Perimeter</b> .....	336 in. (853.4 cm)	
<b>Dry Weight</b> .....	717 lbs (325 kg)	
<b>Filled Weight (Spa Volume)</b> .....	4,345 lbs (1,971 kg)	
<b>Filled Weight (Average Fill)</b> .....	3,386 lbs (1,536 kg)	
<b>Water Capacity (Spa Volume)</b> .....	435 US gallons (1,647 Liters)	
<b>Water Capacity (Average Fill)</b> .....	320 US gallons (1,211 Liters)	
<b>Electronic Controls</b> .....	Solid state electronic controls with LED readout, programmable temperature, filtration, and heat cycles	
<b>Pump 1</b> .....	North America (60 Hz): 2-Speed, 4.5 HP brake, 2.5 HP continuous, 56 Frame <b>Export (50 Hz):.....2-Speed, 2.0 HP continuous</b>	
<b>Pump 2</b> .....	North America (60 Hz): 1-Speed, 4.8 HP brake, 2.5 HP continuous, 56 Frame <b>Export (50 Hz):.....1-Speed, 2.0 HP continuous</b>	
<b>Circulation Pump</b> .....	No	
<b>Total Jets</b> .....	37	
<b>Seat A</b> .....	2 SL, 8 SLR, 1 SL3	
<b>Seat B</b> .....	1 SL3R	
<b>Seat C</b> .....	2 SL, 6 SL3	
<b>Seat D</b> .....	2 SL3R	
<b>Seat E</b> .....	2 SL3, 1 SL5R	
<b>Seat F</b> .....	2 SL, 4 SL3R	
<b>Footwell (G)</b> .....	4 SL	
<b>Massage Selectors</b> .....	None	
<b>Air Controls</b> .....	2	
<b>Water Management System</b> .....	One 50 ft <sup>2</sup> filter cartridge on jets pump 1, Factory installed CLEARRAY® unit <b>Export (50 Hz):.....Factory installed CLEARRAY® unit</b>	
<b>LED Lighting</b> .....	LED Lighting System (Interior Surround); Standard Exterior Light	
<b>Cabinet Colors</b> .....	Smoked, Charcoal	
<b>Acrylic Colors</b> .....	Platinum, Silver Pearl, Monaco, Midnight, Porcelain	
<b>Headrests</b> .....	4	
<b>Electrical Requirements:</b> .....	North America (60 Hz): 240 VAC@40A, 50A or 60A <b>Export (50 Hz): 230-240 VAC@1x16A, 1x32A or 2 out of 3-phase (see manual) or suitably rated circuit breaker to comply with local electrical codes. Certain countries may require dual power inputs; two GFCI RCD breakers are required for this configuration.</b>	
<b>Warranty*</b> .....	North America (60 Hz): 5 Years Shell, 3 Years Shell Surface, 3 Years Plumbing Component Leaks, 3 Years Equipment and Controls, 1 Year Cabinet, 1 Year Jets <b>Export (50 Hz): 5 Years Shell, 3 Years Shell Surface, 3 Years Plumbing Component Leaks, 3 Years Equipment and Controls, 1 Year Cabinet, 1 Year Jets</b>	
<b>Alternative Insulation (Standard):</b>	Yes (Insulation Panels)	
<b>Special Features (Optional)</b> .....	Factory installed SmartTub® Module	
<b>Audio System (Optional)</b> .....	N/A	

\*(See Warranty Document for Specific Details)

Dimensions/Specifications are Subject to Change Without Notice

# Jacuzzi J-245

## Operation/Seat Depths



Group A Jets are always on when Pump 1 is running.

Group B Jets are always on when Pump 2 is running.

**Air Control 1:**  
Opens/Closes  
Air Inlet to Jet  
Group A

**Air Control 2:**  
Opens/Closes  
Air Inlet to Jet  
Group B

### 37 Total Jets



SL Jets (10)



SLR Jets (8)



SL3 Jets (10)



SL3R Jets (8)



SL5R Jet (1)

Spa Operation Subject to Change without Notice

## Seat Depths

**A = 25.88" (65.72 cm)**

**B = 20.63" (52.39 cm)**

**C = 26.75" (67.95 cm)**

**D = 21.63" (54.93 cm)**

**E = 24.63" (62.55 cm)**

**F = 18.25" (46.36 cm)**

**G = 23.38" (59.37 cm)**

**H = 17.13" (43.50 cm)**

**I = 30.00" (76.20 cm)**

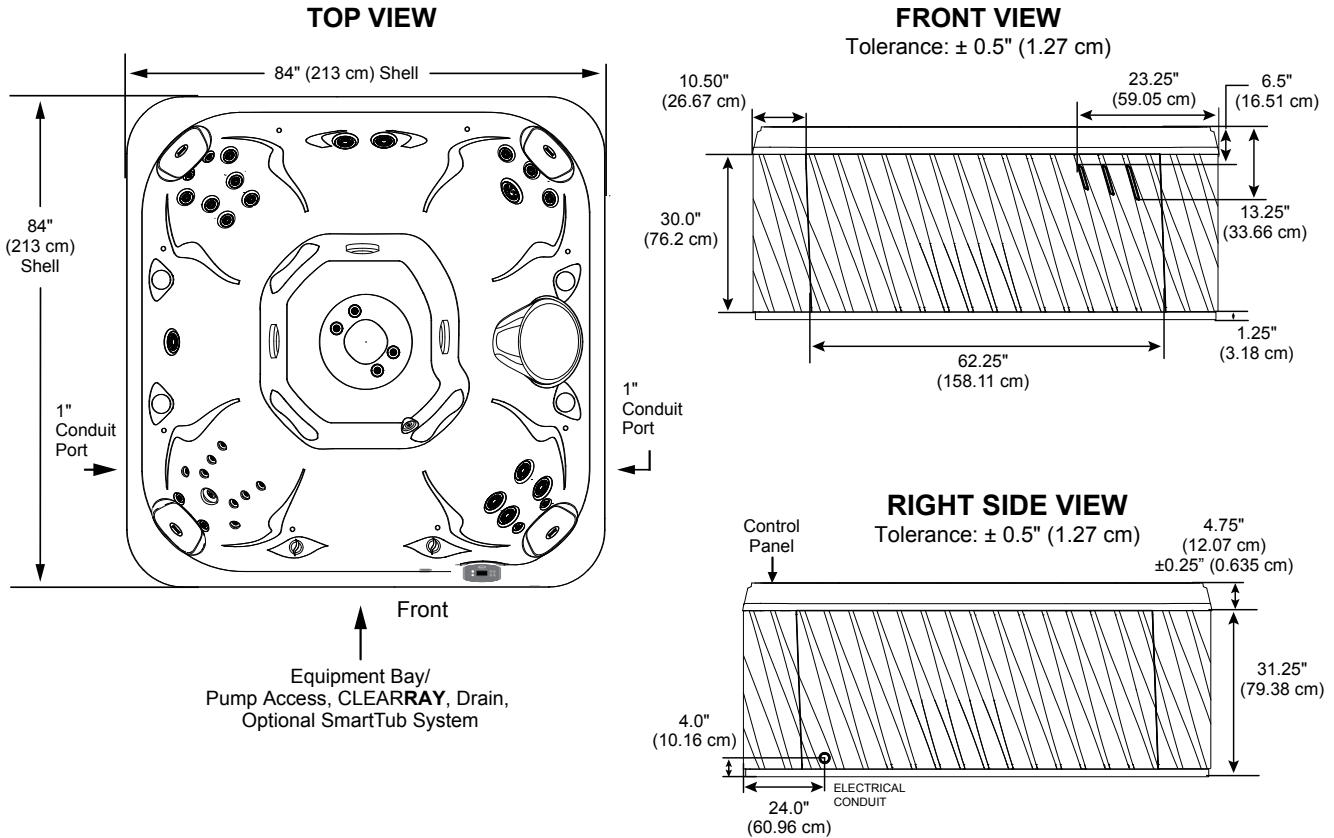
Listed dimensions represent distance from top of acrylic to lowest point in seat. Tolerance  $\pm 0.5"$  (1.27 cm).



Dimensions/Specifications are Subject to Change Without Notice

# Jacuzzi J-245

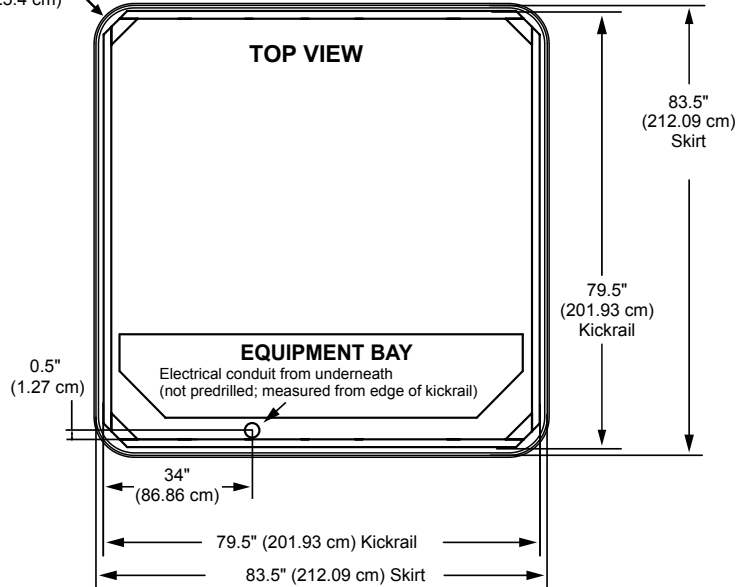
## Dimensions



**IMPORTANT! Always measure each hot tub for exact dimensions BEFORE designing its foundational support and/or decking.**



Cabinet Radius:  
 $\approx 10.0"$  (25.4 cm)



Dimensions/specifications subject to change without notice. Tolerance:  $\pm 0.5"$  (1.27 cm)

Dimensions/specifications subject to change without notice. Tolerance  $\pm 0.5"$  (1.27 cm)

# Jacuzzi J-235

## Specifications

Seating Capacity.....	6 Adults
Dimensions .....	84" x 84" x 36" (213 cm x 213 cm x 91 cm); <b>For Complete Dimensions, See page 88</b>
Perimeter .....	336 in. (853.4 cm)
Dry Weight.....	726 lbs (329 kg)
Filled Weight (Spa Volume) .....	4,229 lbs (1,918 kg)
Filled Weight (Average Fill).....	3,270 lbs (1,483 kg)
Water Capacity (Spa Volume) ...	420 US gallons (1,590 Liters)
Water Capacity (Average Fill) ...	305 US gallons (1,155 Liters)
Electronic Controls .....	Solid state electronic controls with LED readout, programmable temperature, filtration, and heat cycles
Pump 1.....	North America (60 Hz): 2-Speed, 4.5 HP brake, 2.5 HP continuous, 56 Frame
Export (50 Hz): .....	<b>2-Speed, 2.0 HP continuous</b>
Pump 2.....	North America (60 Hz): 1-Speed, 4.8 HP brake, 2.5 HP continuous, 56 Frame
Export (50 Hz): .....	<b>1-Speed, 2.0 HP continuous</b>
Circulation Pump.....	No
Total Jets .....	34
Seat A Jets .....	4 SL3R, 2 SL5R
Seat B Jets .....	2 SL3R
Seat C Jets .....	2 SLR, 2 SL, 8 SL3
Seat D Jet .....	1 SL3R
Seat E Jets .....	2 SLR, 8 SL, 1 SL3
Footwell (G).....	2 SL3
Massage Selectors .....	None
Air Controls.....	2
Water Management System.....	One 50 ft <sup>2</sup> filter cartridge on jets pump 1, Factory installed CLEARRAY® unit
Export (50 Hz): .....	<b>Factory installed CLEARRAY® unit</b>
LED Lighting .....	LED Lighting System (Interior Surround); Standard Exterior Light
Cabinet Colors .....	Smoked, Charcoal
Acrylic Colors .....	Platinum, Silver Pearl, Monaco, Midnight, Porcelain
Headrests .....	3
Electrical Requirements: .....	North America (60 Hz): 240 VAC@40A, 50A or 60A <b>Export (50 Hz): 230-240 VAC@1x16A, 1x32A or 2 out of 3-phase (see manual) or suitably rated circuit breaker to comply with local electrical codes. Certain countries may require dual power inputs; two GFCI RCD breakers are required for this configuration.</b>
Warranty*.....	North America (60 Hz): 5 Years Shell, 3 Years Shell Surface, 3 Years Plumbing Component Leaks, 3 Years Equipment and Controls; 1 Year Cabinet, 1 Year Jets <b>Export (50 Hz): 5 Years Shell, 3 Years Shell Surface, 3 Years Plumbing Component Leaks, 3 Years Equipment and Controls, 1 Year Cabinet, 1 Year Jets</b>
Alternative Insulation (Standard):	Yes (Insulation Panels)
Special Features (Optional).....	Factory installed SmartTub® Module
Audio System (Optional).....	N/A



\*(See Warranty Document for Specific Details)

Dimensions/Specifications are Subject to Change Without Notice

# Jacuzzi J-235

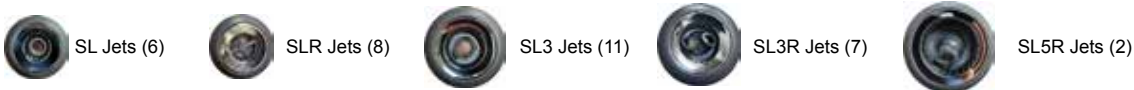
## Operation/Seat Depths



Group A Jets are  
always on when  
Pump 1 is running.

Group B Jets are  
always on when  
Pump 2 is running.

### 34 Total Jets



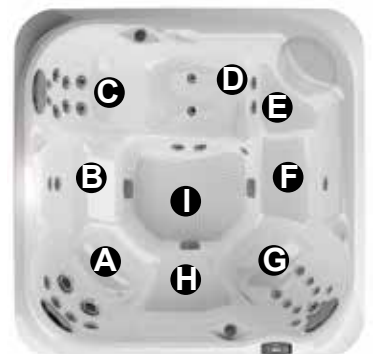
Spa Operation Subject to Change without Notice

## Seat Depths

**A = 23.25" (59.06 cm)**  
**B = 20.75" (52.71 cm)**  
**C = 24.88" (63.18 cm)**  
**D = 25.50" (64.77 cm)**  
**E = 17.50" (44.45 cm)**  
**F = 21.50" (54.61 cm)**

**G = 25.63" (65.09 cm)**  
**H = 17.00" (43.18 cm)**  
**I = 30.00" (76.20 cm)**

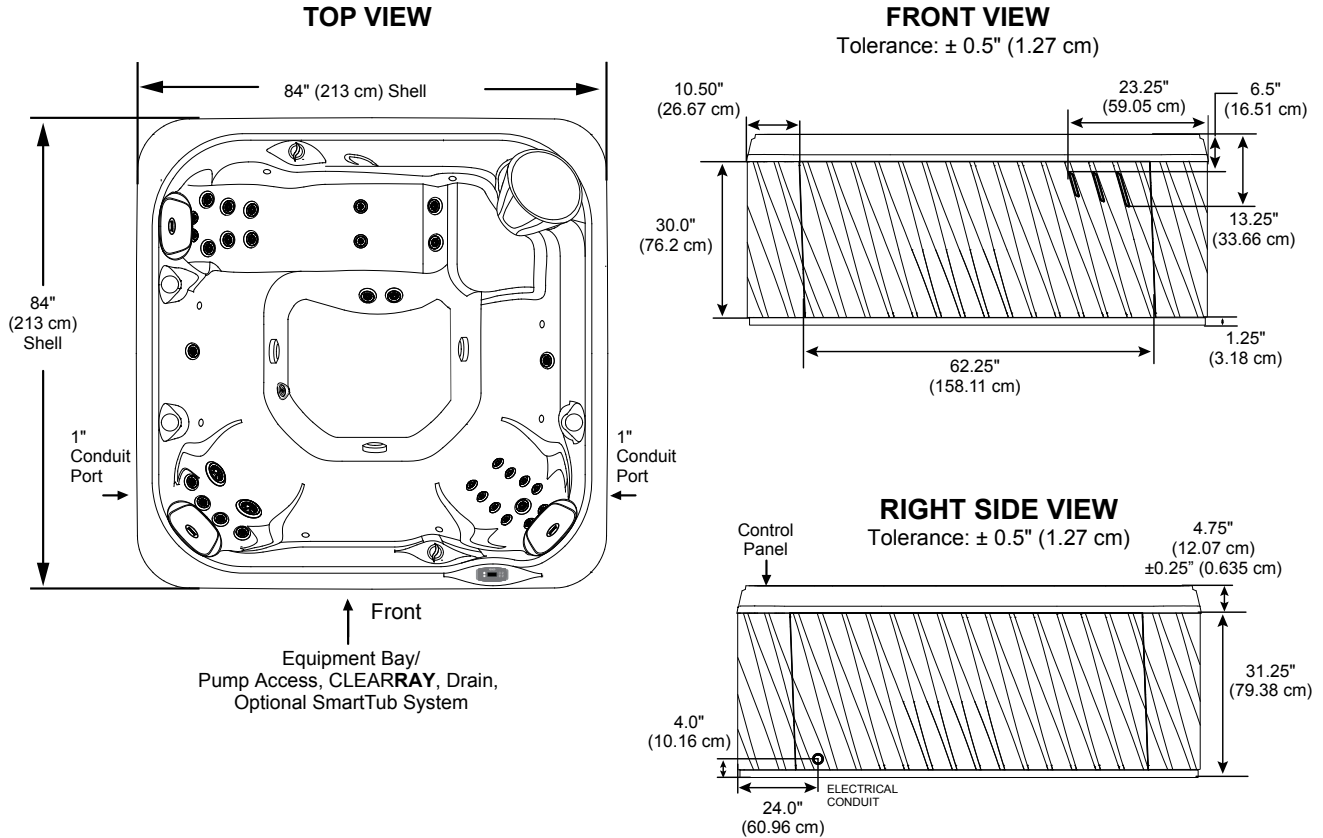
Listed dimensions  
represent distance from  
top of acrylic to lowest  
point in seat. Tolerance  
± 0.5" (1.27 cm).



Dimensions/Specifications are Subject to Change Without Notice

# Jacuzzi J-235

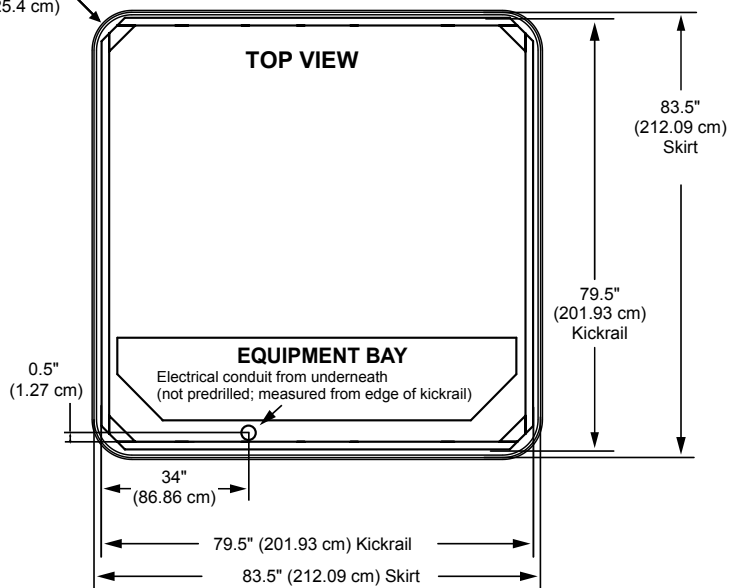
## Dimensions



**IMPORTANT! Always measure each hot tub for exact dimensions BEFORE designing its foundational support and/or decking.**



Cabinet Radius:  
 $\approx 10.0"$  (25.4 cm)



Dimensions/specifications subject to change without notice. Tolerance:  $\pm 0.5"$  (1.27 cm)

Dimensions/specifications subject to change without notice. Tolerance  $\pm 0.5"$  (1.27 cm)

# Jacuzzi J-225

## Specifications

<b>Seating Capacity</b> .....	4-5 Adults
<b>Dimensions</b> .....	80" x 80" x 33" (203 cm x 203 cm x 84 cm); <b>For Complete Dimensions, See page 88</b>
<b>Perimeter</b> .....	336 in. (853.4 cm)
<b>Dry Weight</b> .....	TBD lbs (TBD kg)
<b>Filled Weight (Spa Volume)</b> .....	TBD lbs (TBD kg)
<b>Filled Weight (Average Fill)</b> .....	TBD lbs (TBD kg)
<b>Water Capacity (Spa Volume)</b> ...	TBD US gallons (TBD Liters)
<b>Water Capacity (Average Fill)</b> ...	TBD US gallons (TBD Liters)
<b>Electronic Controls</b> .....	Solid state electronic controls with LED readout, programmable temperature, filtration, and heat cycles
<b>Pump 1</b> .....	North America (60 Hz): 2-Speed, 2.5 HP brake, 1.5 HP continuous, 48 Frame <b>Export (50 Hz): ..... 2-Speed, 2.0 HP continuous</b>
<b>Circulation Pump</b> .....	No
<b>Total Jets</b> .....	26
<b>Seat A Jets</b> .....	3 SL3, 1 SL5R
<b>Seat B Jets</b> .....	1 SLR, 1 SL3, 8 SL
<b>Seat C Jet</b> .....	1 SL3R
<b>Seat D Jets</b> .....	6 SL3
<b>Seat E Jets</b> .....	4 SL3R
<b>Massage Selectors</b> .....	None
<b>Air Controls</b> .....	2
<b>Water Management System</b> .....	One 50 ft <sup>2</sup> filter cartridge on jets pump 1, Factory installed CLEARRAY® unit <b>Export (50 Hz): ..... Factory installed CLEARRAY® unit</b>
<b>LED Lighting</b> .....	LED Lighting System (Interior Surround); Standard Exterior Light
<b>Cabinet Colors</b> .....	Smoked, Charcoal
<b>Acrylic Colors</b> .....	Platinum, Silver Pearl, Monaco, Midnight, Porcelain
<b>Headrests</b> .....	4
<b>Electrical Requirements:</b> .....	North America (60 Hz): 120V@15A (GFCI cord) 240 VAC@30A or 40A <b>Export (50 Hz): 230-240 VAC@1x16A, 1x32A or 2 out of 3-phase (see manual) or suitably rated circuit breaker to comply with local electrical codes. Certain countries may require dual power inputs; two GFCI RCD breakers are required for this configuration.</b>
<b>Warranty*</b> .....	North America (60 Hz): 5 Years Shell, 3 Years Shell Surface, 3 Years Plumbing Component Leaks, 3 Years Equipment and Controls; 1 Year Cabinet, 1 Year Jets <b>Export (50 Hz): 5 Years Shell, 3 Years Shell Surface, 3 Years Plumbing Component Leaks, 3 Years Equipment and Controls, 1 Year Cabinet, 1 Year Jets</b>
<b>Alternative Insulation (Standard):</b>	Yes (Insulation Panels)
<b>Special Features (Optional)</b> .....	Factory installed SmartTub® Module
<b>Audio System (Optional)</b> .....	N/A



\*(See Warranty Document for Specific Details)

Dimensions/Specifications are Subject to Change Without Notice



# Jacuzzi J-225

## Operation/Seat Depths



Jets are always on when the Jets Pump 1 is running.

**Air Control 1:**  
Opens/Closes  
Air Inlet to Jet  
Group A

**Air Control 2:**  
Opens/Closes  
Air Inlet to Jet  
Group B

### 26 Total Jets



SL Jets (8)



SLR Jets (2)



SL3 Jets (10)



SL3R Jets (5)



SL5R Jets (1)

Spa Operation Subject to Change without Notice

## Seat Depths

**A = 23.50" (59.69 cm)**

**B = 21.00" (53.34 cm)**

**C = 27.25" (69.22 cm)**

**D = 21.88" (55.56 cm)**

**E = 23.88" (60.64 cm)**

**F = 21.50" (54.61 cm)**

**G = 26.00" (66.04 cm)**

**H = 17.50" (44.45 cm)**

**I = 28.00" (71.12 cm)**

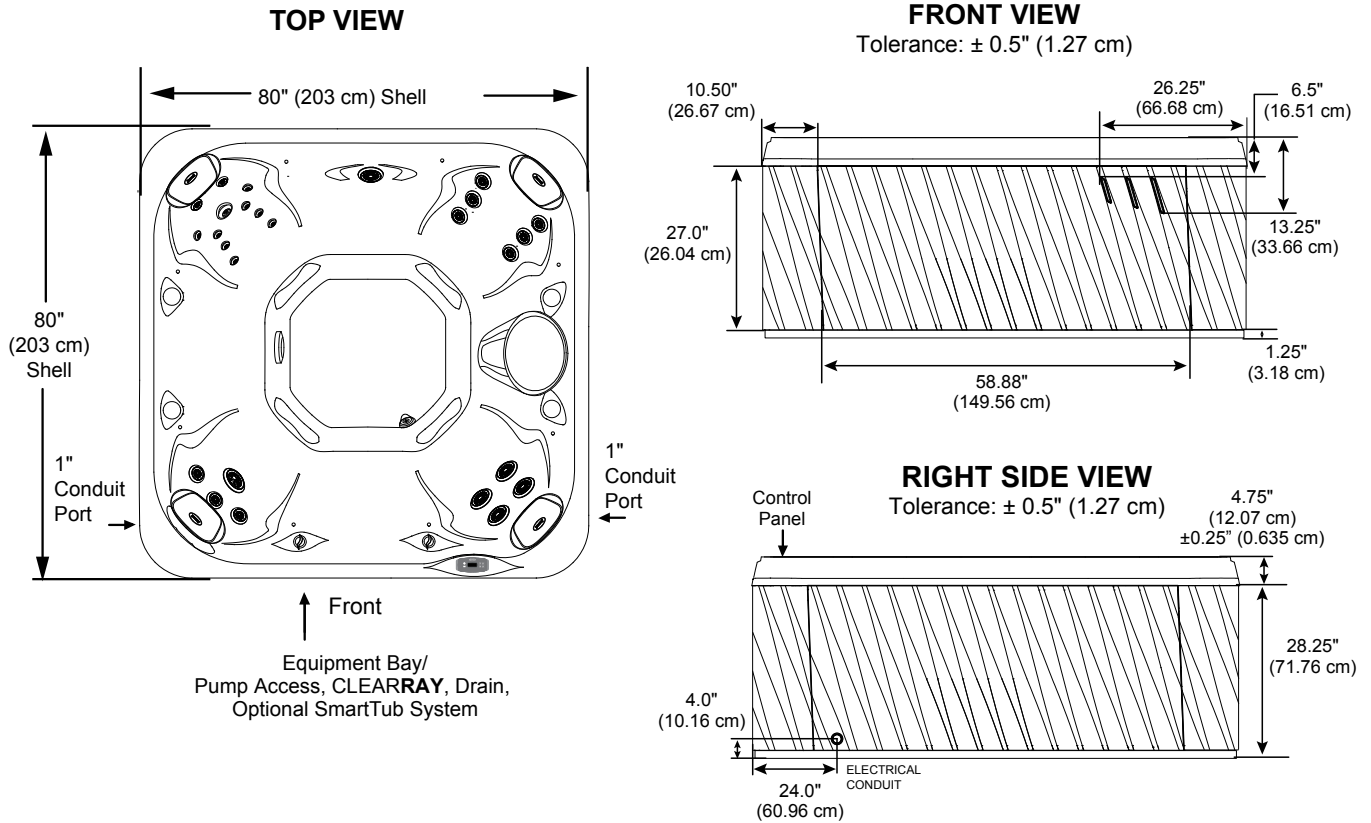
Listed dimensions represent distance from top of acrylic to lowest point in seat. Tolerance  $\pm 0.5"$  (1.27 cm).



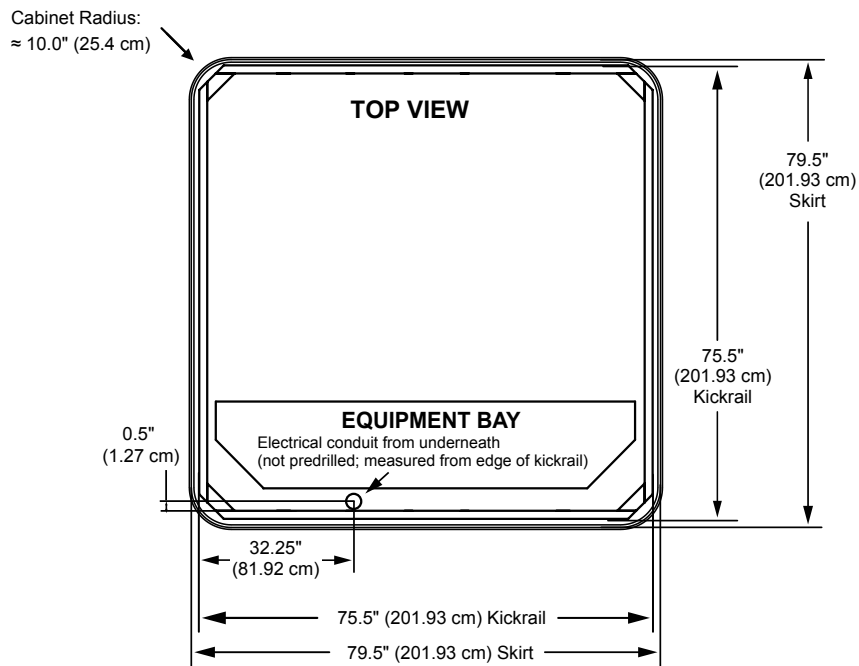
Dimensions/Specifications are Subject to Change Without Notice

# Jacuzzi J-225

## Dimensions



**IMPORTANT!** Always measure each hot tub for exact dimensions **BEFORE** designing its foundational support and/or decking.

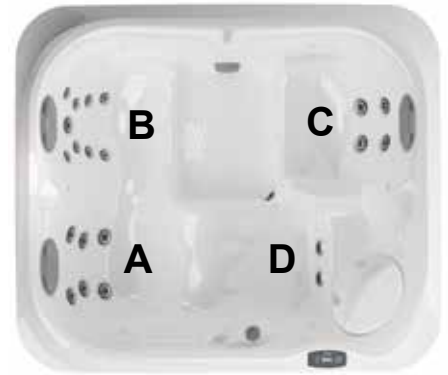


Dimensions/specifications subject to change without notice. Tolerance  $\pm 0.5"$  (1.27 cm)

# Jacuzzi J-215

## Specifications

<b>Seating Capacity</b> .....	2-3 Adults
<b>Dimensions</b> .....	69" x 80" x 32" (175 cm x 193 cm x 84 cm); <b>For Complete Dimensions, See page 98</b>
<b>Dry Weight</b> .....	583 lbs (264 kg)
<b>Filled Weight (Spa Volume)</b> .....	2,918 lbs (1,324 kg)
<b>Filled Weight (Average Fill)</b> .....	2,251 lbs (1,021 kg)
<b>Water Capacity (Spa Volume)</b> ...	280 US gallons (1,060 Liters)
<b>Water Capacity (Average Fill)</b> ...	200 US gallons (757 Liters)
<b>Electronic Controls</b> .....	Solid state electronic controls with LED readout, programmable temperature, filtration, and heat cycles
<b>Pump 1</b> .....	North America (60 Hz): 2-Speed, 2.5 HP brake, 1.5 HP continuous, 48 Frame <b>Export (50 Hz): ..... 2-Speed, 2.0 HP continuous</b>
<b>Circulation Pump</b> .....	No
<b>Total Jets</b> .....	21
<b>Seat A Jets</b> .....	6 SLR
<b>Seat B Jets</b> .....	1 SLR, 8 SL
<b>Seat C Jets</b> .....	4 SL3R
<b>Footwell (D) Jets</b> .....	2 SLR
<b>Massage Selectors</b> .....	None
<b>Air Controls</b> .....	1
<b>Water Management System</b> .....	One 50 ft <sup>2</sup> filter cartridge on jets pump 1, Factory installed CLEARRAY® unit <b>Export (50 Hz): ..... Factory installed CLEARRAY® unit</b>
<b>LED Lighting</b> .....	LED Lighting System (Interior Surround); Standard Exterior Light
<b>Cabinet Colors</b> .....	Smoked, Charcoal
<b>Acrylic Colors</b> .....	Platinum, Silver Pearl, Monaco, Midnight, Porcelain
<b>Headrests</b> .....	3
<b>Electrical Requirements:</b> .....	North America (60 Hz): 120V@15A (GFCI cord) 240 VAC@30A or 40A <b>Export (50 Hz): 230-240 VAC@1x16A, 1x32A or 2 out of 3-phase (see manual) or suitably rated circuit breaker to comply with local electrical codes. Certain countries may require dual power inputs; two GFCI RCD breakers are required for this configuration.</b>
<b>Warranty*</b> .....	North America (60 Hz): 5 Years Shell, 3 Years Shell Surface, 3 Years Plumbing Component Leaks, 3 Years Equipment and Controls; 1 Year Cabinet, 1 Year Jets <b>Export (50 Hz): 5 Years Shell, 3 Years Shell Surface, 3 Years Plumbing Component Leaks, 3 Years Equipment and Controls, 1 Year Cabinet, 1 Year Jets</b>
<b>Alternative Insulation (Standard):</b>	Yes (Insulation Panels)
<b>Special Features (Optional)</b> .....	Factory installed SmartTub® Module
<b>Audio System (Optional)</b> .....	N/A



\*(See Warranty Document for Specific Details)

Dimensions/Specifications are Subject to Change Without Notice

# Jacuzzi J-215

## Operation/Seat Depths



**Air Control 1:**  
Opens/Closes  
Air Inlet to Jets A

Jets are always on  
when the Jets Pump 1  
is running.

### 21 Total Jets



SL Jets (8)



SLR Jets (9)



SL3R Jets (4)

Spa Operation Subject to Change without Notice

## Seat Depths

**A = 25.13" (63.82 cm)**

**D = 18.00" (45.72 cm)**

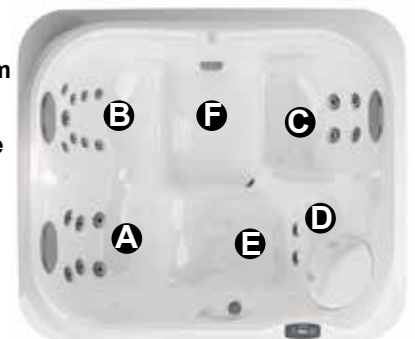
**B = 26.00" (66.04 cm)**

**E = 25.75" (65.41 cm)**

**C = 23.50" (59.69 cm)**

**F = 27.63" (70.17 cm)**

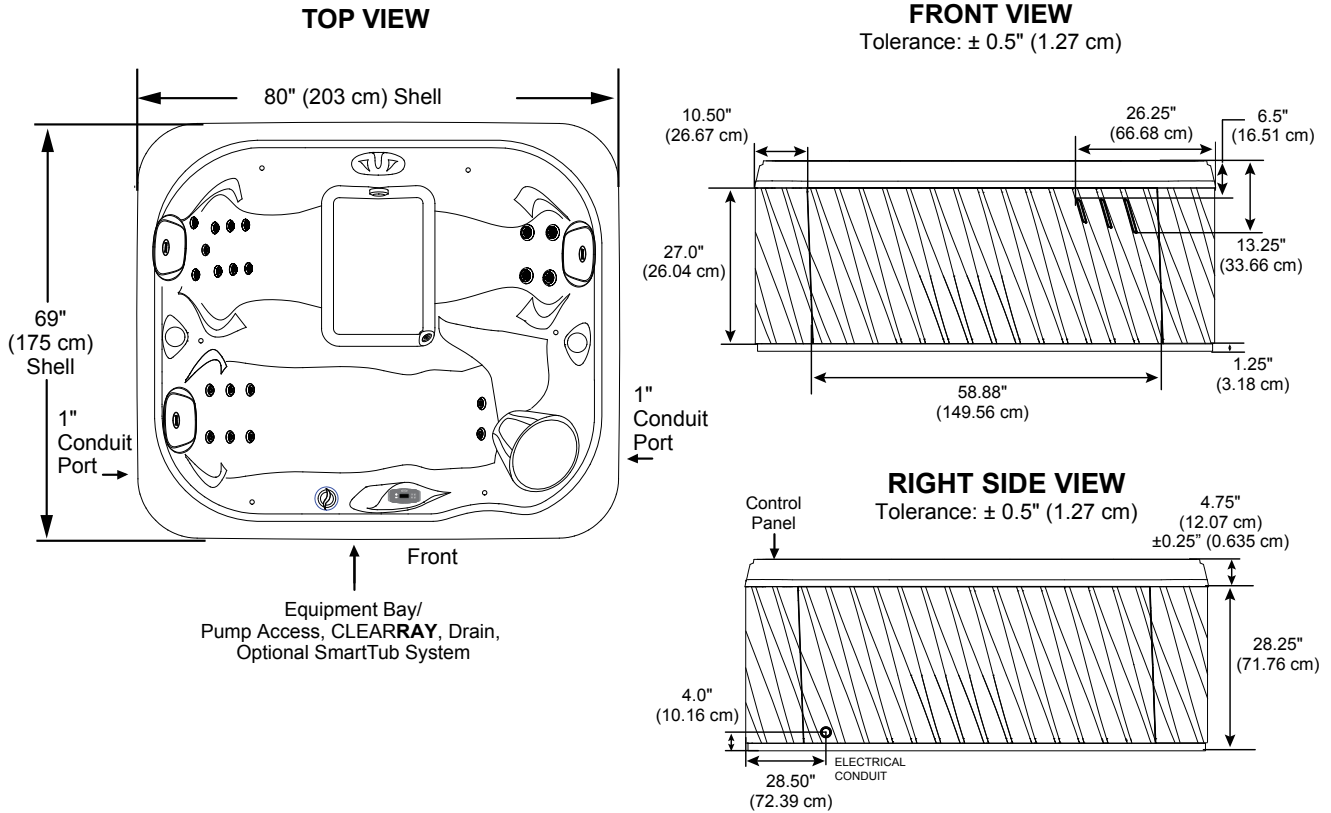
Listed dimensions  
represent distance from  
top of acrylic to lowest  
point in seat. Tolerance  
 $\pm 0.5"$  (1.27 cm).



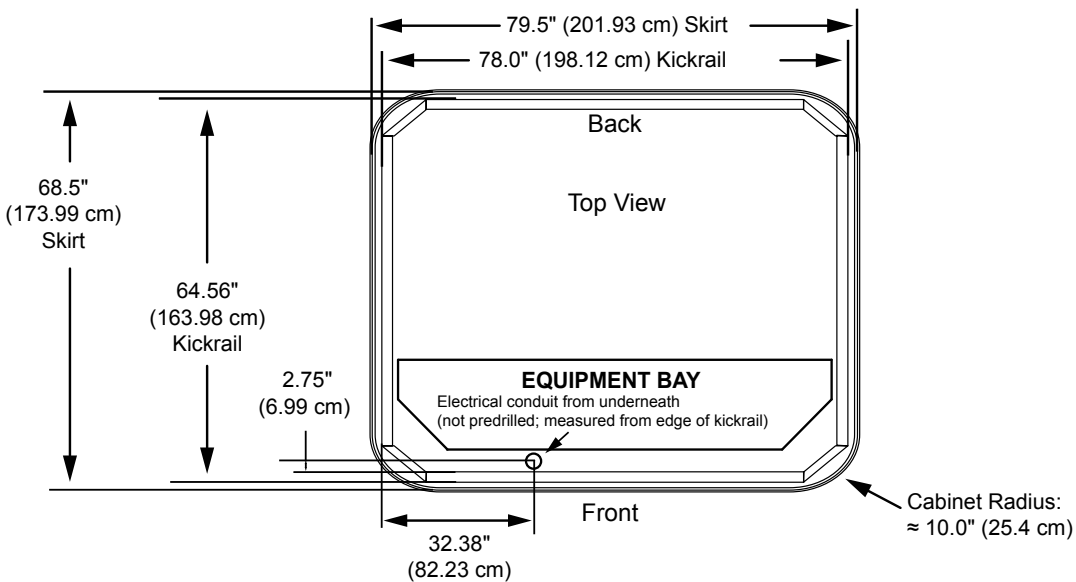
Dimensions/Specifications are Subject to Change Without Notice

# Jacuzzi J-215

## Dimensions



**IMPORTANT! Always measure each hot tub for exact dimensions BEFORE designing its foundational support and/or decking.**




Dimensions/specifications subject to change without notice. Tolerance:  $\pm 0.5"$  (1.27 cm)

Dimensions/specifications subject to change without notice. Tolerance  $\pm 0.5"$  (1.27 cm)

# Soul 40™ Jets

## Specifications

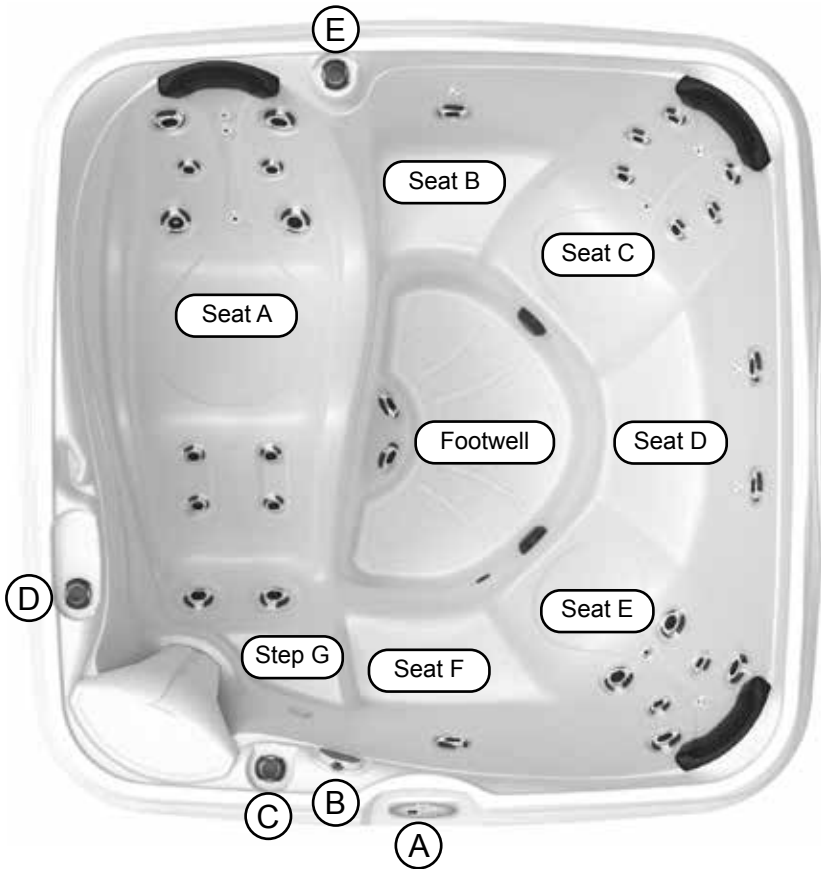
<b>Seating Capacity</b> .....	6 Adults	
<b>Dimensions</b> .....	78" x 78" x 36" (198 cm x 198 cm x 91 cm);	
<b>Perimeter</b> .....	312 in. (792.5 cm)	
<b>Dry Weight</b> .....	416 lbs (189 kg)	
<b>Filled Weight (Spa Volume)</b> .....	3,894 lbs (1,766 kg)	
<b>Filled Weight (Average Fill)</b> .....	3,001 lbs (1,361 kg)	
<b>Water Capacity (Spa Volume)</b> ...	417 US gallons (1,579 Liters)	
<b>Water Capacity (Average Fill)</b> ...	310 US gallons (1,173 Liters)	
<b>Electronic Controls</b> .....	Digital Touch Controller. Offers customizing of cleaning cycles and water temperature setting.	
<b>Pump 1</b> .....	North America (60 Hz): 1-Speed, 2.5 HPR	
<b>Export (50 Hz):</b> .....	<b>N/A</b>	
<b>Pump 2</b> .....	North America (60 Hz): 2-Speed, 2.0 HPR	
<b>Export (50 Hz):</b> .....	<b>N/A</b>	
<b>Circulation Pump</b> .....	N/A	
<b>Total Jets</b> .....	40	
<b>Seat A Jets</b> .....	6 DirectionalMax1, 6 DirectionalMax2, 3 DirectMiniMax	
<b>Seat B Jets</b> .....	1 DirectionalMax1, 1 DirectMiniMax	
<b>Seat C Jets</b> .....	6 DirectionalMax2, 2 DirectMiniMax	
<b>Seat D Jets</b> .....	2 DirectionalMax1, 2 DirectMiniMax	
<b>Seat E Jets</b> .....	4 DirectionalMax1, 2 DirectionalMax1, 2 DirectMiniMax	
<b>Seat F Jets</b> .....	1 DirectionalMax1	
<b>Footwell (G)</b> .....	2 DirectionalMax1	
<b>Massage Selectors</b> .....	N/A	
<b>Air Controls</b> .....	3	
<b>Water Management System</b> .....	One Easy Kleen 30 ft <sup>2</sup> filter cartridge; Optional factory installed Ozone	
<b>Export (50 Hz):</b> .....	<b>N/A</b>	
<b>LED Lighting</b> .....	Multicolor Waterfall light; Footwell light, Exterior corner lights (8 qty)	
<b>Shell/Cabinet Colors</b> .....	Mystic Sparkle, Tuscan Sparkle, Night Sparkle, Glacier Sparkle	
<b>Headrests</b> .....	3	
<b>Waterfalls</b> .....	One with independent flow rate (on or off) adjustment; powered by pump 1	
<b>Heater:</b> .....	Hi Flow 4kW	
<b>Export (50 Hz):</b> .....	<b>N/A</b>	
<b>Electrical Requirements:</b> .....	North America (60 Hz): 240 VAC@50A	
	<b>Export (50 Hz): N/A</b>	
<b>Warranty*</b> .....	North America (60 Hz): 5 Years Shell, 5 Years Shell Surface, 1 Year Plumbing Component Leaks, 1 Year Equipment and Controls, 1 Year Cabinet, 1 Year Jets, 1 Year Lights;	
<b>Special Features</b> .....	Optional Suite Package Add-On	

\*(See Warranty Document for Specific Details)

Dimensions/Specifications are Subject to Change Without Notice

# Soul 40 Jets

## Operation/Seat Depths



- (A) Topside Control - Activate Jet Pumps, Light and Control Water Temperature
- (B) Water Feature Control - Controls Water Feature Output.
- (C) Air Control - Activates Seat D Jets (2 DirectionalMax1 Jets, 2 DirectMiniMax Jets), Seat E Jets (4 DirectionalMax1 Jets, 2 DirectionalMax2 Jets, 2 DirectMiniMax Jets), Seat F Jets (1 DirectionalMax1 Jets)
- (D) Air Control - Activates Seat A Jets (6 DirectionalMax1 Jets, 6 DirectionalMax2 Jets, 3 DirectMiniMax Jets)
- (E) Air Control - Activates Seat B Jets (1 DirectionalMax1 Jet, 1 DirectMiniMax Jet), Seat C Jets (6 DirectionalMax2 Jets, 2 DirectMiniMax Jets), Footwell Jets (2 DirectionalMax1 Jets)

### 40 Total Jets

DirectionalMax1 Jets (16)

DirectionalMax2 Jets (14)

DirectMiniMax Jets (10)



- Jet Pump 1: Seats B, C, D, E, F and footwell jets
- Jet Pump 2: Seat A

Spa Operation Subject to Change without Notice

**A = 25.75" (65.40 cm)**

**B = 24.50" (62.23 cm)**

**C = 28.00" (71.12 cm)**

**D = 24.75" (62.86 cm)**

**E = 26.50" (67.30 cm)**

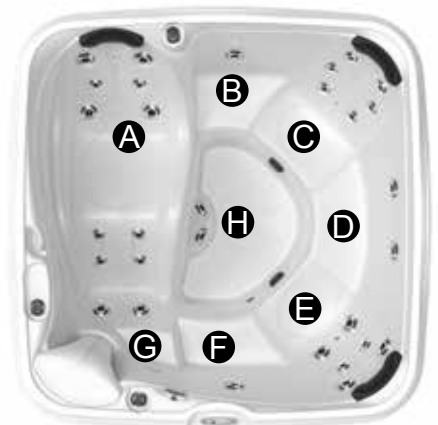
**F = 23.25" (59.06 cm)**

**G = 19.00" (48.26 cm)**

**H = 34.50" (87.63 cm)**

## Seat Depths

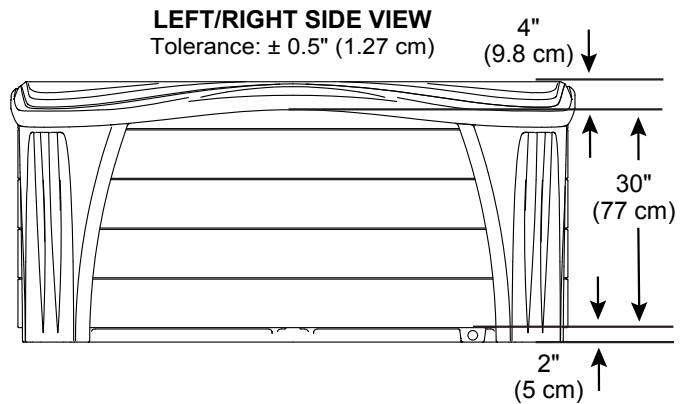
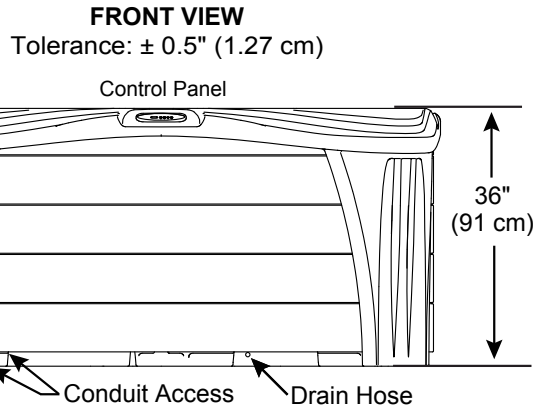
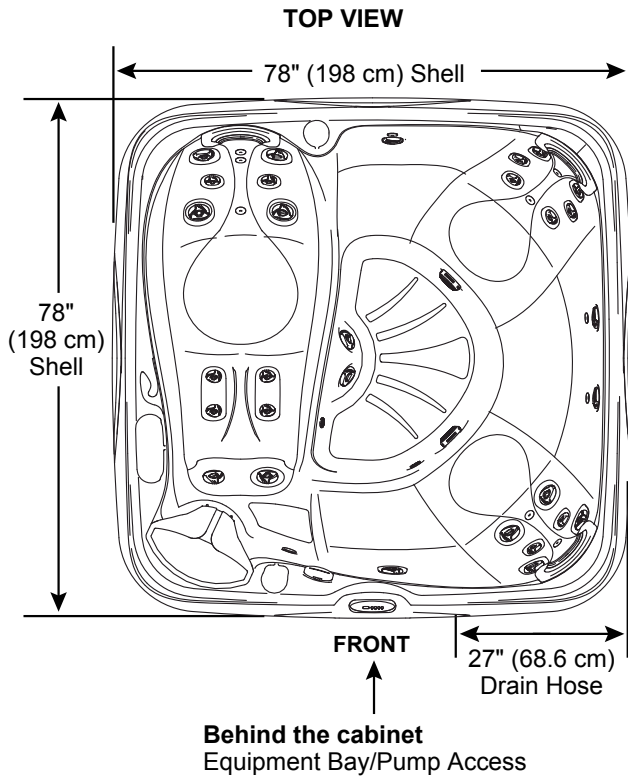
Listed dimensions represent distance from top of spa to lowest point in seat.  
Tolerance:  $\pm 0.5"$  (1.27 cm)



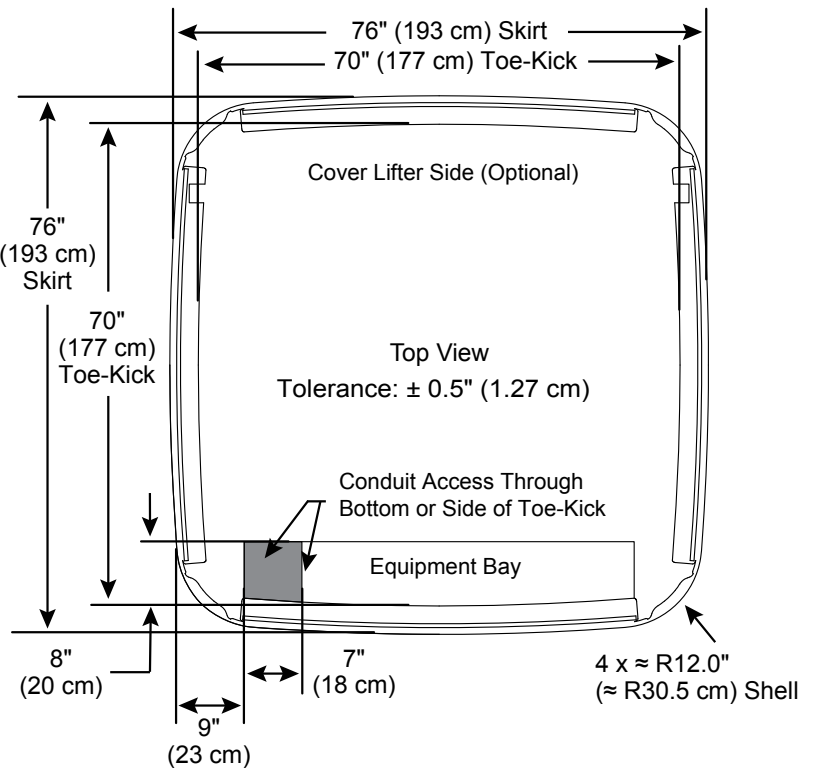
Dimensions/Specifications are Subject to Change Without Notice

# Soul 40 Jets

## Dimensions



**IMPORTANT! Always measure each hot tub for exact dimensions BEFORE designing its foundational support and/or decking.**



Dimensions/specifications subject to change without notice. Tolerance  $\pm 0.5"$  (1.27 cm)



# Soul 30™ Jets

## Specifications

<b>Seating Capacity</b> .....	6 Adults
<b>Dimensions</b> .....	78" x 78" x 36" (198 cm x 198 cm x 91 cm);
<b>Perimeter</b> .....	312 in. (792.5 cm)
<b>Filled Weight (Spa Volume)</b> .....	3,864 lbs (1,753 kg)
<b>Filled Weight (Average Fill)</b> .....	2,971 lbs (1,348 kg)
<b>Water Capacity (Spa Volume)</b> ...	417 US gallons (1,579 Liters)
<b>Water Capacity (Average Fill)</b> ...	310 US gallons (1,173 Liters)
<b>Electronic Controls</b> .....	Digital Touch Controller. Offers customizing of cleaning cycles and water temperature setting.
<b>Pump 1</b> .....	North America (60 Hz): 2-Speed, 2.0 HPR
<b>Export (50 Hz):</b> .....	<b>2 kW, 2-Speed</b>
<b>Pump 2</b> .....	N/A
<b>Export (50 Hz):</b> .....	<b>N/A</b>
<b>Circulation Pump</b> .....	N/A
<b>Total Jets</b> .....	30
<b>Seat A Jets</b> .....	6 DirectionalMax1, 6 DirectionalMax2
<b>Seat B Jets</b> .....	1 DirectionalMax1
<b>Seat C Jets</b> .....	6 DirectionalMax2
<b>Seat D Jets</b> .....	2 DirectionalMax1
<b>Seat E Jets</b> .....	4 DirectionalMax1, 2 DirectionalMax2
<b>Seat F Jets</b> .....	1 DirectionalMax1
<b>Footwell (G)</b> .....	2 DirectionalMax1
<b>Massage Selectors</b> .....	N/A
<b>Air Controls</b> .....	2
<b>Water Management System</b> .....	One Easy Klean 30 ft <sup>2</sup> filter cartridge; Optional factory installed Ozone
<b>Export (50 Hz):</b> .....	<b>Optional factory installed Ozone</b>
<b>LED Lighting</b> .....	Multicolor Waterfall light; Footwell light, Exterior corner lights (8 qty)
<b>Shell/Cabinet Colors</b> .....	Mystic Sparkle, Tuscan Sparkle, Night Sparkle, Glacier Sparkle
<b>Headrests</b> .....	3
<b>Waterfalls</b> .....	One with independent flow rate (on or off) adjustment; powered by pump 1
<b>Heater:</b> .....	Hi Flow 1.0kW/4kW
<b>Export (50 Hz):</b> .....	<b>Hi Flow 3.0kW</b>
<b>Electrical Requirements:</b> .....	North America (60 Hz): Convertible 120 VAC@15A or 240 VAC@30A, 40A
	<b>Export (50 Hz): 230-240V@1x16A, 1X32A</b>
<b>Warranty*</b> .....	North America (60 Hz): 5 Years Shell, 5 Years Shell Surface, 1 Year Plumbing Component Leaks, 1 Year Equipment and Controls, 1 Year Cabinet, 1 Year Jets, 1 Year Lights;
	<b>Export (50 Hz):</b> 5 Years Shell, 5 Years Shell Surface, 2 Years Plumbing Component Leaks, 2 Years Equipment and Controls, 2 Years Cabinet, 2 Years Jets, 2 Years Lights;
<b>Special Features</b> .....	Optional Suite Package Add-On

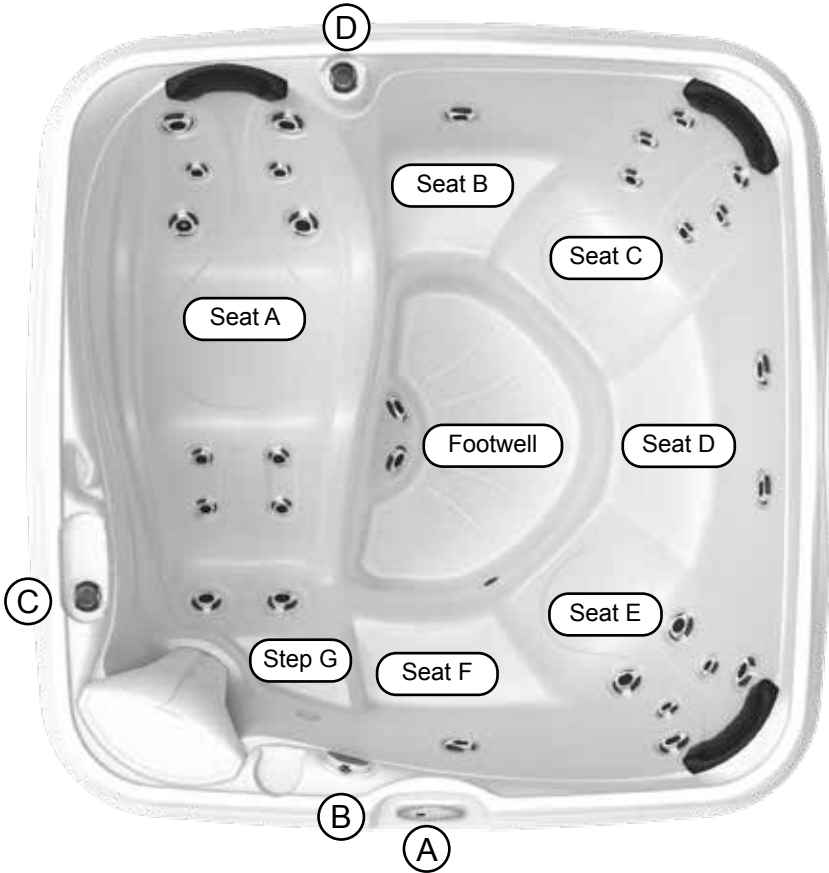


\*(See Warranty Document for Specific Details)

Dimensions/Specifications are Subject to Change Without Notice

# Soul 30 Jets

## Operation/Seat Depths



- Ⓐ Topside Control - Activate Jet Pump, Light and Control Water Temperature
  - Ⓑ Water Feature Control - Controls Water Feature Output.
  - Ⓒ Air Control - Activates Seat A Jets (6 DirectionalMax1 Jets, 6 DirectionalMax2 Jets)
  - Ⓓ Air Control - Activates Seat B Jets (1 DirectionalMax1 Jet), Seat C Jets (6 DirectionalMax2 Jets), Seat D Jets (2 DirectionalMax1 Jets), Seat E Jets (4 DirectionalMax1 Jets, 2 DirectionalMax2 Jets), Seat F Jets (1 DirectionalMax1 Jet), Footwell Jets (2 DirectionalMax1 Jets)
- Jet Pump 1: All seats and footwell jets

### 30 Total Jets

DirectionalMax1  
Jets (16)

DirectionalMax2  
Jets (14)



Spa Operation Subject to Change without Notice

- A = 25.75" (65.40 cm)
- B = 24.50" (62.23 cm)
- C = 28.00" (71.12 cm)
- D = 24.75" (62.86 cm)
- E = 26.50" (67.30 cm)
- F = 23.25" (59.06 cm)
- G = 19.00" (48.26 cm)
- H = 34.50" (87.63 cm)

## Seat Depths

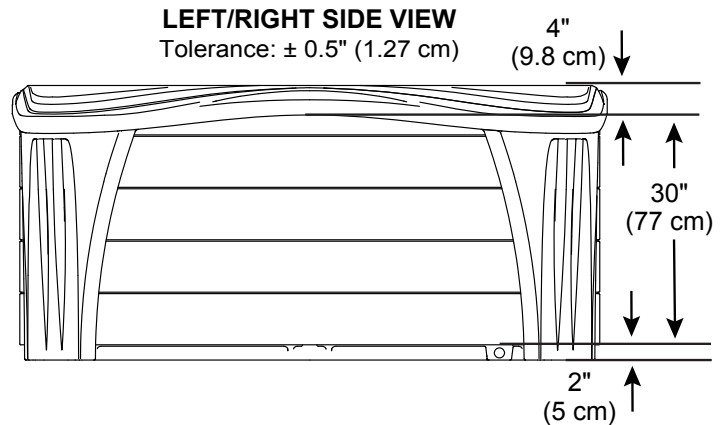
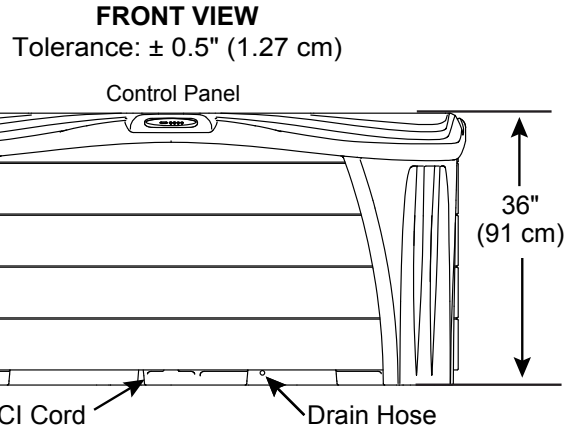
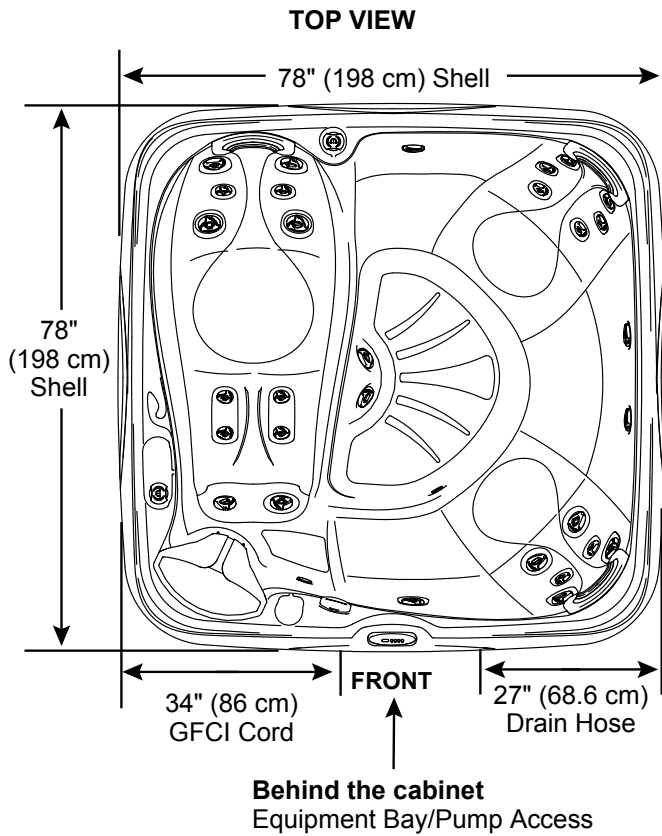
Listed dimensions represent distance from top of spa to lowest point in seat.  
Tolerance: ± 0.5" (1.27 cm)



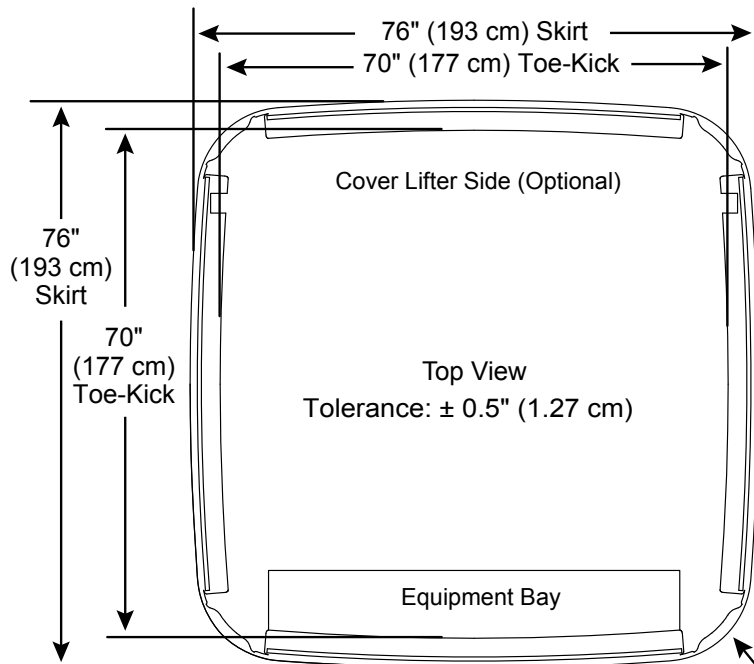
Dimensions/Specifications are Subject to Change Without Notice

# Soul 30 Jets

## Dimensions



**IMPORTANT! Always measure each hot tub for exact dimensions BEFORE designing its foundational support and/or decking.**

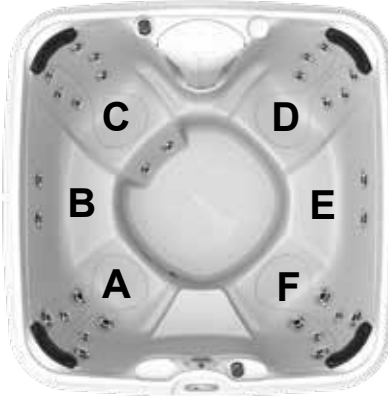


4 x  $\approx R12.0"$   
( $\approx R30.5$  cm) Shell

Dimensions/specifications subject to change without notice. Tolerance  $\pm 0.5"$  (1.27 cm)

# Echo 40™ Jets

## Specifications

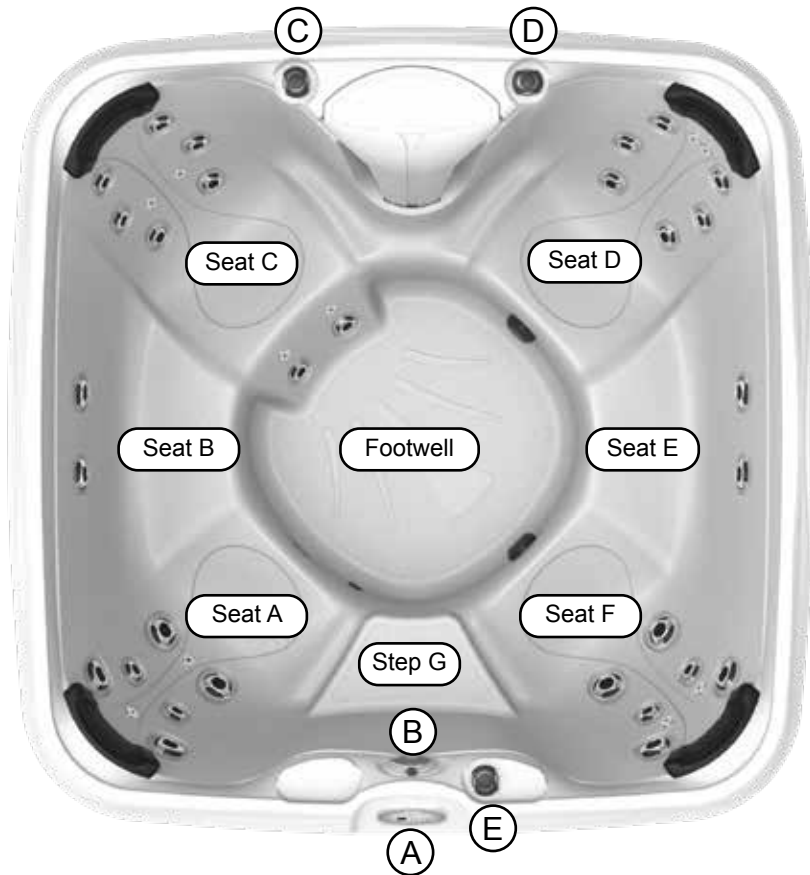
<b>Seating Capacity</b> .....	6 Adults	
<b>Dimensions</b> .....	78" x 78" x 36" (198 cm x 198 cm x 91 cm);	
<b>Perimeter</b> .....	3612 in. (792.5 cm)	
<b>Dry Weight</b> .....	472 lbs (214 kg)	
<b>Filled Weight (Spa Volume)</b> .....	4,175 lbs (1,894 kg)	
<b>Filled Weight (Average Fill)</b> .....	3,208 lbs (1,455 kg)	
<b>Water Capacity (Spa Volume)</b> ...	444 US gallons (1,681 Liters)	
<b>Water Capacity (Average Fill)</b> ...	328 US gallons (1,242 Liters)	
<b>Electronic Controls</b> .....	Digital Touch Controller. Offers customizing of cleaning cycles and water temperature setting.	
<b>Pump 1</b> .....	North America (60 Hz): 1-Speed, 2.5 HPR	
<b>Export (50 Hz):</b> .....	<b>N/A</b>	
<b>Pump 2</b> .....	North America (60 Hz): 2-Speed, 2.0 HPR	
<b>Export (50 Hz):</b> .....	<b>N/A</b>	
<b>Circulation Pump</b> .....	N/A	
<b>Total Jets</b> .....	40	
<b>Seat A Jets</b> .....	4 DirectionalMax1 Jets, 2 DirectionalMax2 Jets, 2 DirectMiniMax Jets	
<b>Seat B Jets</b> .....	2 DirectionalMax1 Jets	
<b>Seat C Jets</b> .....	8 DirectionalMax2 Jets, 4 DirectMiniMax Jets	
<b>Seat D Jets</b> .....	6 DirectionalMax2 Jets, 2 DirectMiniMax Jets	
<b>Seat E Jets</b> .....	2 DirectionalMax1 Jets	
<b>Seat F Jets</b> .....	4 DirectionalMax1 Jets, 2 DirectionalMax2 Jets, 2 DirectMiniMax Jets	
<b>Massage Selectors</b> .....	N/A	
<b>Air Controls</b> .....	3	
<b>Water Management System</b> .....	One Easy Kleen 30 ft <sup>2</sup> filter cartridge; Optional factory installed Ozone	
<b>Export (50 Hz):</b> .....	<b>N/A</b>	
<b>LED Lighting</b> .....	Multicolor waterfall light; Exterior corner light (white color only)	
<b>Shell/Cabinet Colors</b> .....	Mystic Sparkle, Tuscan Sparkle, Night Sparkle, Glacier Sparkle	
<b>Headrests</b> .....	4	
<b>Waterfalls</b> .....	One with independent flow rate (on or off) adjustment; powered by pump 1	
<b>Heater:</b> .....	Hi Flow 1.0kW/4kW	
<b>Export (50 Hz):</b> .....	<b>N/A</b>	
<b>Electrical Requirements:</b> .....	North America (60 Hz): 240 VAC@30A or 40A	
	<b>Export (50 Hz): N/A</b>	
<b>Warranty*</b> .....	North America (60 Hz): 5 Years Shell, 5 Years Shell Surface, 1 Year Plumbing Component Leaks, 1 Year Equipment and Controls, 1 Year Cabinet, 1 Year Jets, 1 Year Lights;	
<b>Special Features</b> .....	N/A	

\*(See Warranty Document for Specific Details)

Dimensions/Specifications are Subject to Change Without Notice

# Echo 40 Jets

## Operation/Seat Depths



- (A) Topside Control - Activate Jet Pumps, Light and Control Water Temperature
- (B) Water Feature Control - Controls Water Feature Output.
- (C) Air Control - Activates Seat B Jets (2 DirectionalMax1 Jets), Seat C Jets (8 DirectionalMax2 Jets, 4 DirectMiniMax Jets)
- (D) Air Control - Activates Seat D Jets (6 DirectionalMax2 Jets, 2 DirectMiniMax Jets), Seat E Jets (2 DirectionalMax1 Jets)
- (E) Air Control - Activates Seat A Jets (4 DirectionalMax1 Jets, 2 DirectionalMax2 Jets, 2 DirectMiniMax Jets), Seat F Jets (4 DirectionalMax1 Jets, 2 DirectionalMax2 Jets, 2 DirectMiniMax Jets)

- Jet Pump 1: Seats A, D, E and F
- Jet Pump 2: Seats B and C

### 40 Total Jets

DirectionalMax1  
Jets (12)

DirectionalMax2  
Jets (18)

DirectMiniMax  
Jets (10)

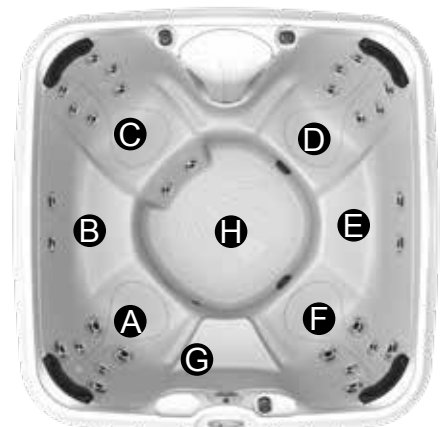


Spa Operation Subject to Change without Notice

- A = 26.50" (67.30 cm)
- B = 24.75" (62.86 cm)
- C = 28.00" (71.12 cm)
- D = 28.00" (71.12 cm)
- E = 24.75" (62.86 cm)
- F = 26.50" (67.30 cm)
- G = 20.00" (50.80 cm)
- H = 34.50" (87.63 cm)

## Seat Depths

Listed dimensions represent distance from top of spa to lowest point in seat.  
Tolerance:  $\pm 0.5"$  (1.27 cm)

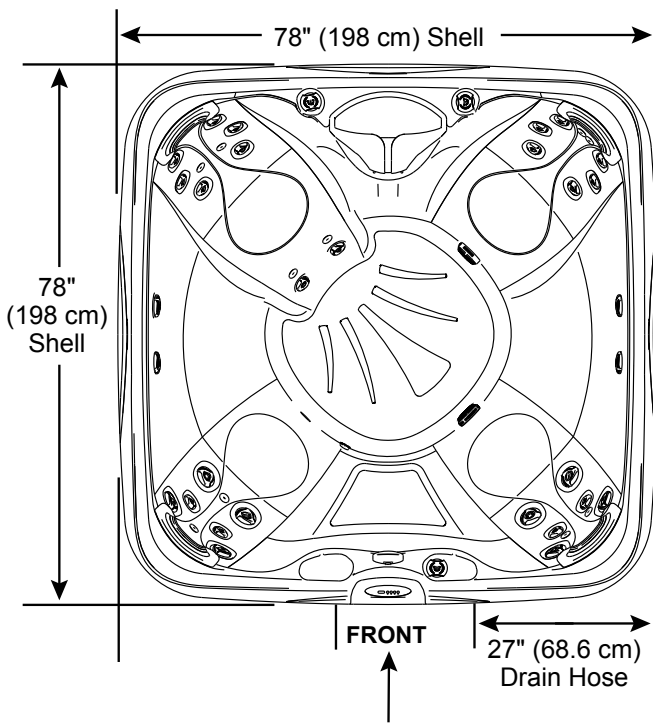


Dimensions/Specifications are Subject to Change Without Notice

# Echo 40 Jets

## Dimensions

**TOP VIEW**



Behind the cabinet  
Equipment Bay/Pump Access

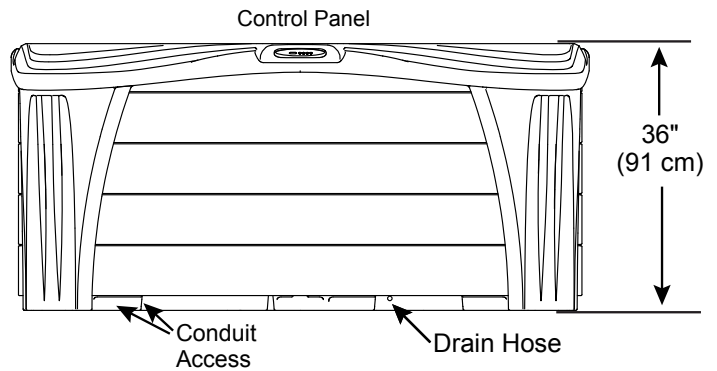


**IMPORTANT! Always measure each hot tub for exact dimensions BEFORE designing its foundational support and/or decking.**



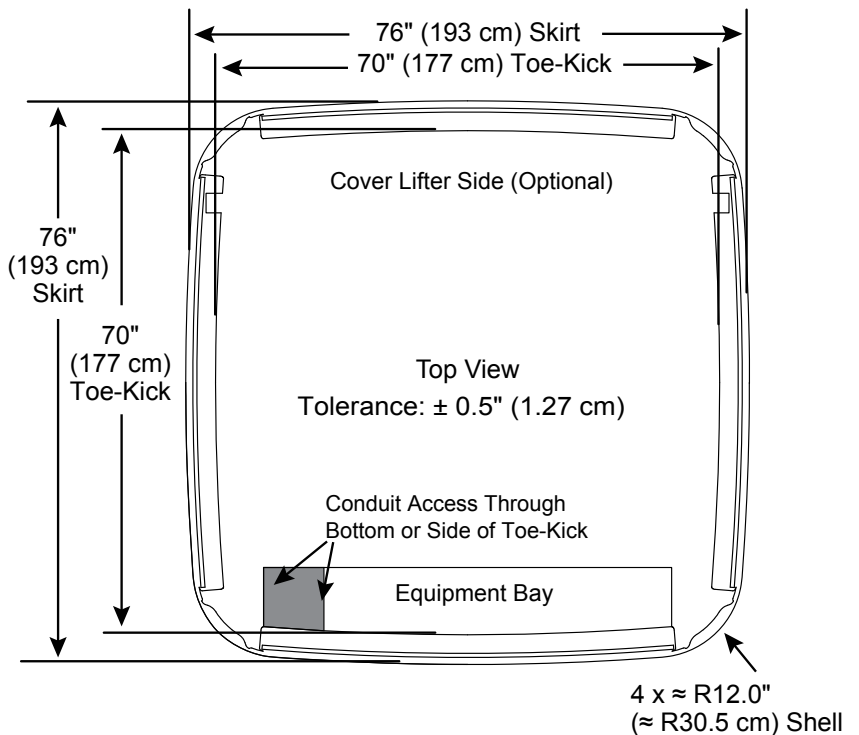
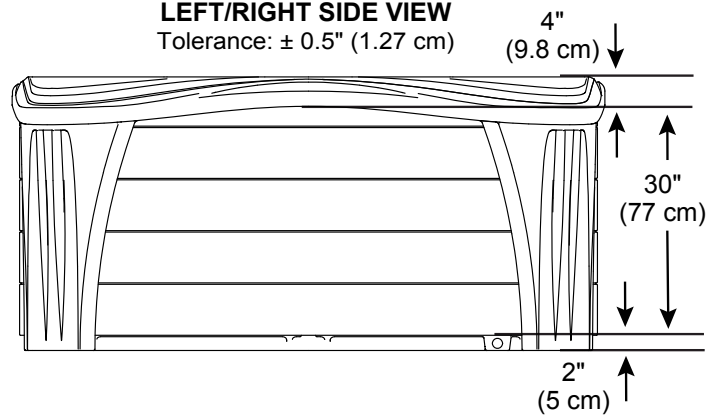
**FRONT VIEW**

Tolerance:  $\pm 0.5"$  (1.27 cm)



**LEFT/RIGHT SIDE VIEW**


Tolerance:  $\pm 0.5"$  (1.27 cm)



Dimensions/specifications subject to change without notice. Tolerance  $\pm 0.5"$  (1.27 cm)

# Echo 30™ Jets

## Specifications

<b>Seating Capacity</b> .....	7 Adults	
<b>Dimensions</b> .....	78" x 78" x 36" (198 cm x 198 cm x 91 cm);	
<b>Perimeter</b> .....	312 in. (714.7 cm)	
<b>Dry Weight</b> .....	414 lbs (187 kg)	
<b>Filled Weight (Spa Volume)</b> .....	4,117 lbs (1,867 kg)	
<b>Filled Weight (Average Fill)</b> .....	3,150 lbs (1,429 kg)	
<b>Water Capacity (Spa Volume)</b> ...	444 US gallons (1,681 Liters)	
<b>Water Capacity (Average Fill)</b> ...	328 US gallons (1,242 Liters)	
<b>Electronic Controls</b> .....	Digital Touch Controller. Offers customizing of cleaning cycles and water temperature setting.	
<b>Pump 1</b> .....	North America (60 Hz): 2-Speed, 2.0 HPR	
<b>Export (50 Hz):</b> .....	<b>2 kW, 2-Speed</b>	
<b>Pump 2</b> .....	N/A	
<b>Export (50 Hz):</b> .....	<b>N/A</b>	
<b>Circulation Pump</b> .....	N/A	
<b>Total Jets</b> .....	30	
<b>Seat A Jets</b> .....	4 DirectionalMax1 Jets, 2 DirectionalMax2 Jets	
<b>Seat B Jets</b> .....	2 DirectionalMax1 Jets	
<b>Seat C Jets</b> .....	8 DirectionalMax2 Jets	
<b>Seat D Jets</b> .....	6 DirectionalMax2 Jets	
<b>Seat E Jets</b> .....	2 DirectionalMax1 Jets	
<b>Seat F Jets</b> .....	4 DirectionalMax1 Jets, 2 DirectionalMax2 Jets	
<b>Massage Selectors</b> .....	N/A	
<b>Air Controls</b> .....	2	
<b>Water Management System</b> .....	One Easy Klean 30 ft <sup>2</sup> filter cartridge; Optional factory installed Ozone	
<b>Export (50 Hz):</b> .....	<b>Optional factory installed Ozone</b>	
<b>LED Lighting</b> .....	Multicolor waterfall light; Exterior corner light (white color only)	
<b>Shell/Cabinet Colors</b> .....	Mystic Sparkle, Tuscan Sparkle, Night Sparkle, Glacier Sparkle	
<b>Headrests</b> .....	4	
<b>Waterfalls</b> .....	One with independent flow rate (on or off) adjustment; powered by pump 1	
<b>Heater:</b> .....	Hi Flow 1.0kW/4kW	
<b>Export (50 Hz):</b> .....	<b>Hi Flow 3.0kW</b>	
<b>Electrical Requirements:</b> .....	North America (60 Hz): Convertible 120 VAC@15A	
	<b>Export (50 Hz): 230-240V@1x16A, 1X32A</b>	
<b>Warranty*</b> .....	North America (60 Hz): 5 Years Shell, 5 Years Shell Surface, 1 Year Plumbing Component Leaks, 1 Year Equipment and Controls, 1 Year Cabinet, 1 Year Jets, 1 Year Lights;	
	<b>Export (50 Hz): 5 Years Shell, 5 Years Shell Surface, 2 Years Plumbing Component Leaks, 2 Years Equipment and Controls, 2 Years Cabinet, 2 Years Jets, 2 Years Lights;</b>	
<b>Special Features</b> .....	N/A	

\*(See Warranty Document for Specific Details)

Dimensions/Specifications are Subject to Change Without Notice

# Echo 30 Jets

## Operation/Seat Depths



- Ⓐ Topside Control - Activate Jet Pump, Light and Control Water Temperature
  - Ⓑ Water Feature Control - Controls Water Feature Output.
  - Ⓒ Air Control - Activates Seat A Jets (4 DirectionalMax1 Jets, 2 DirectionalMax2 Jets), Seat B Jets (2 DirectionalMax1 Jets, 2 DirectionalMax2 Jets), Seat C Jets (8 DirectionalMax2 Jets)
  - Ⓓ Air Control - Activates Seat D Jets (6 DirectionalMax2 Jets), Seat E Jets (2 DirectionalMax1 Jets), Seat F Jets (4 DirectionalMax1 Jets, 2 DirectionalMax2 Jets)
- Jet Pump 1: All seats and footwell jets

### 30 Total Jets

DirectionalMax1  
Jets (12)

DirectionalMax2  
Jets (18)



Spa Operation Subject to Change without Notice

- A = 26.50" (67.30 cm)
- B = 24.75" (62.86 cm)
- C = 28.00" (71.12 cm)
- D = 28.00" (71.12 cm)
- E = 24.75" (62.86 cm)
- F = 26.50" (67.30 cm)
- G = 20.00" (50.80 cm)
- H = 34.50" (87.63 cm)

## Seat Depths

Listed dimensions represent distance from top of spa to lowest point in seat.  
Tolerance: ± 0.5" (1.27 cm)

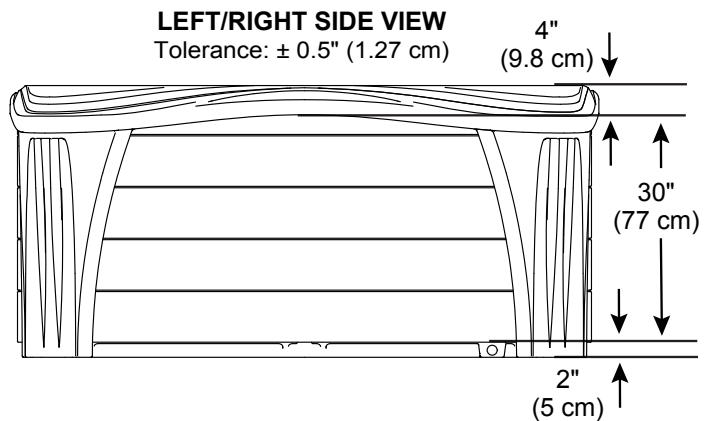
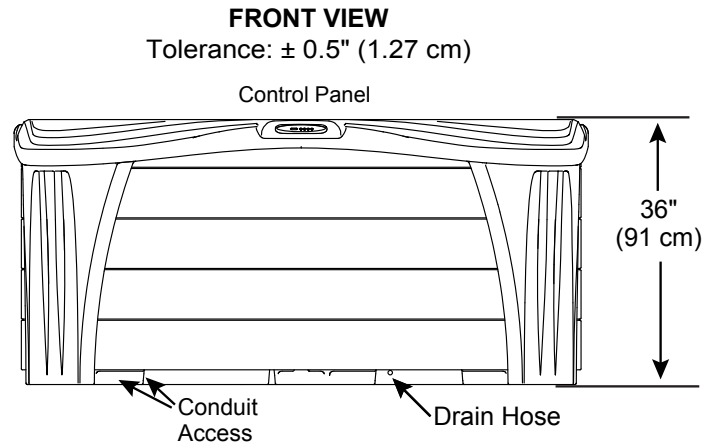
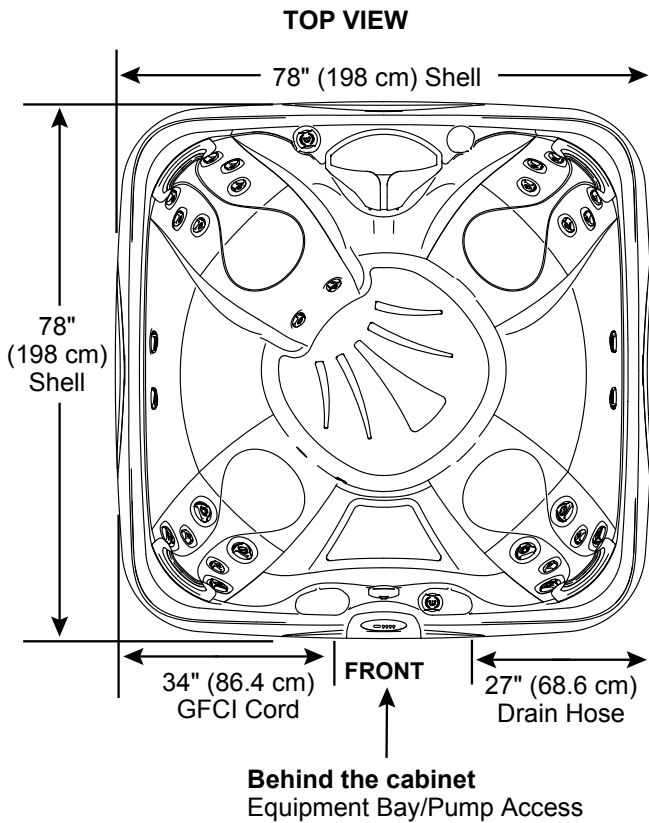


Dimensions/Specifications are Subject to Change Without Notice

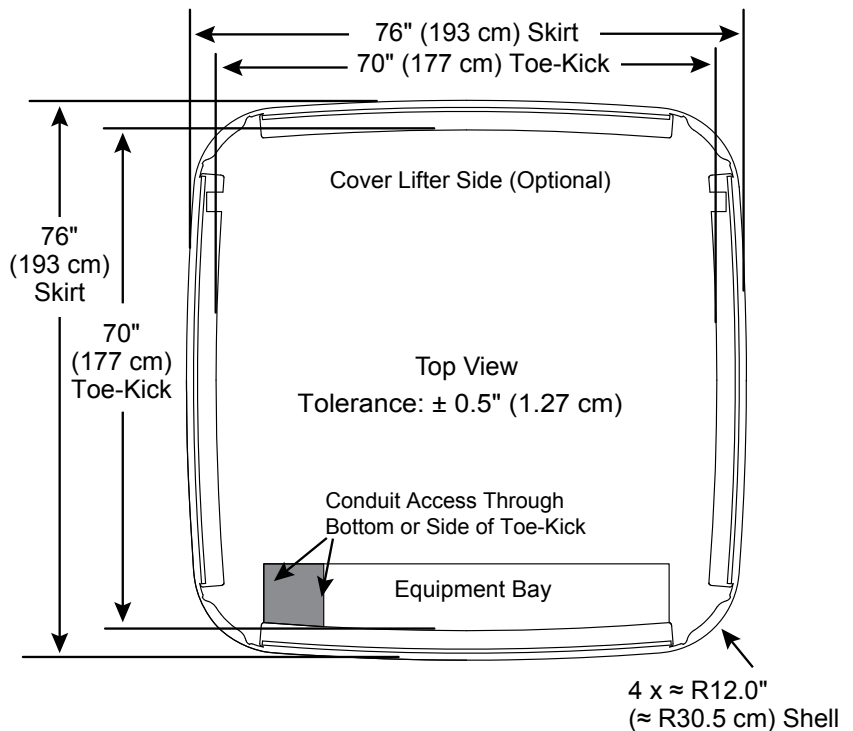


# Echo 30 Jets

## Dimensions



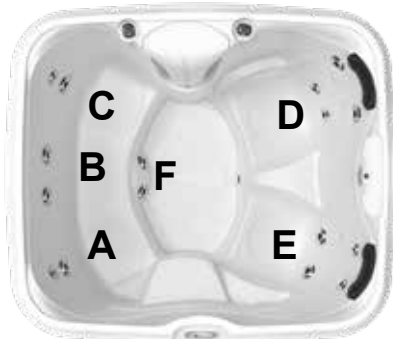
**IMPORTANT! Always measure each hot tub for exact dimensions BEFORE designing its foundational support and/or decking.**



Dimensions/specifications subject to change without notice. Tolerance  $\pm 0.5"$  (1.27 cm)

# Mood 20™ Jets

## Specifications

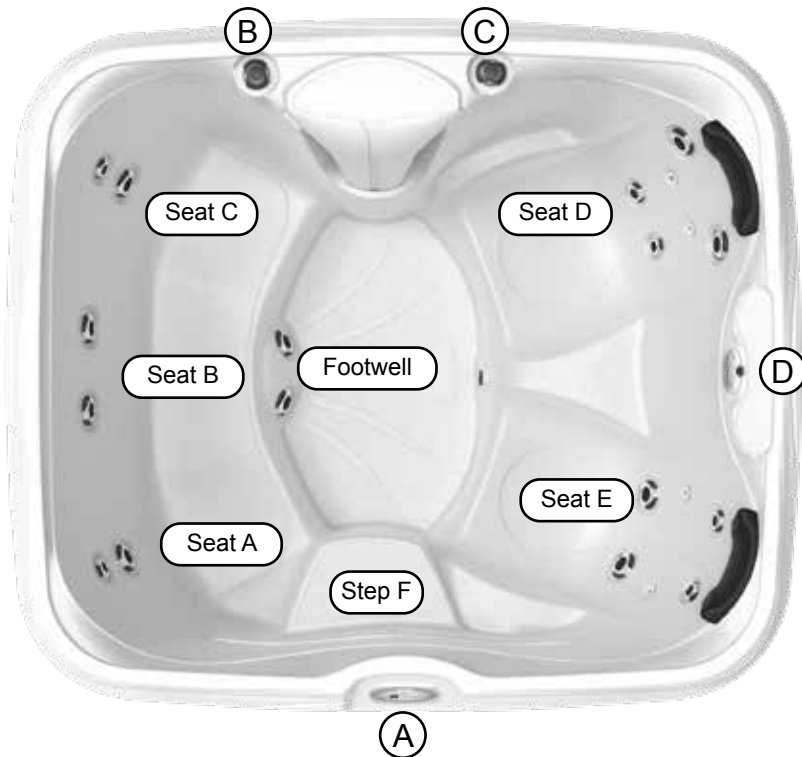
<b>Seating Capacity</b> .....	5 Adults	
<b>Dimensions</b> .....	78" x 68" x 32" (198 cm x 173 cm x 81 cm);	
<b>Perimeter</b> .....	292 in. (741.7 cm)	
<b>Dry Weight</b> .....	285 lbs (129 kg)	
<b>Filled Weight (Spa Volume)</b> .....	3,120 lbs (1,415 kg)	
<b>Filled Weight (Average Fill)</b> .....	2,404 lbs (1,090 kg)	
<b>Water Capacity (Spa Volume)</b> ...	340 US gallons (1,287 Liters)	
<b>Water Capacity (Average Fill)</b> ...	254 US gallons (961 Liters)	
<b>Electronic Controls</b> .....	Digital Touch Controller. Offers customizing of cleaning cycles and water temperature setting.	
<b>Pump 1</b> .....	North America (60 Hz): 2-Speed, 2.0 HPR	
<b>Export (50 Hz):</b> .....	<b>2-Speed, 1.5 HPR</b>	
<b>Pump 2</b> .....	N/A	
<b>Export (50 Hz):</b> .....	<b>N/A</b>	
<b>Circulation Pump</b> .....	N/A	
<b>Total Jets</b> .....	20	
<b>Seat A Jets</b> .....	1 DirectionalMax1, 1 DirectionalMax2	
<b>Seat B Jets</b> .....	2 DirectionalMax1	
<b>Seat C Jets</b> .....	1 DirectionalMax1, 1 DirectionalMax2	
<b>Seat D Jets</b> .....	2 DirectionalMax1, 2 DirectionalMax2, 2 DirectMiniMax	
<b>Seat E Jets</b> .....	2 DirectionalMax1, 2 DirectionalMax2, 2 DirectMiniMax	
<b>Footwell (F) Jets</b> .....	2 DirectionalMax1	
<b>Massage Selectors</b> .....	N/A	
<b>Air Controls</b> .....	2	
<b>Water Management System</b> .....	One Easy Kleen 30 ft <sup>2</sup> filter cartridge; Optional factory installed Ozone	
<b>Export (50 Hz):</b> .....	<b>Optional factory installed Ozone</b>	
<b>LED Lighting</b> .....	Multicolor Waterfall light; Footwell light, Exterior corner lights (8 qty)	
<b>Shell/Cabinet Colors</b> .....	Mystic Sparkle, Tuscan Sparkle, Night Sparkle, Glacier Sparkle	
<b>Headrests</b> .....	2	
<b>Waterfalls</b> .....	One with independent flow rate (on or off) adjustment; powered by pump 1	
<b>Heater:</b> .....	Hi Flow 1.0kW/4kW	
<b>Export (50 Hz):</b> .....	<b>Hi Flow 3.0kW</b>	
<b>Electrical Requirements:</b> .....	North America (60 Hz): Convertible 120 VAC@15A or 240 VAC@30A, 40A	
	<b>Export (50 Hz): 230-240V@1x16A, 1X32A</b>	
<b>Warranty*</b> .....	North America (60 Hz): 5 Years Shell, 5 Years Shell Surface, 1 Year Plumbing Component Leaks, 1 Year Equipment and Controls, 1 Year Cabinet, 1 Year Jets, 1 Year Lights;	
	<b>Export (50 Hz): 5 Years Shell, 5 Years Shell Surface, 2 Years Plumbing Component Leaks, 2 Years Equipment and Controls, 2 Years Cabinet, 2 Years Jets, 2 Years Lights;</b>	
<b>Special Features</b> .....	Optional Suite Package Add-On	

\*(See Warranty Document for Specific Details)

Dimensions/Specifications are Subject to Change Without Notice

# Mood 20 Jets

## Operation/Seat Depths



- (A) Topside Control - Activate Jets Pump, Light and Control Water Temperature
- (B) Air Control - Activates Seat A Jets (1 DirectionalMax1 Jet, 1 DirectionalMax2 Jet), Seat B Jets (2 DirectionalMax1 Jets), Seat C Jets (1 DirectionalMax1 Jet, 1 DirectionalMax2 Jet), Footwell Jets (2 DirectionalMax2 Jets)
- (C) Air Control - Activates Seat D Jets (2 DirectionalMax1 Jets, 2 DirectionalMax2 Jets, 2 DirectMiniMax Jets), Seat E Jets (2 DirectionalMax1 Jets, 2 DirectionalMax2 Jets, 2 DirectMiniMax Jets)
- (D) Water Feature Control - Controls Water Feature Output.

- Jet Pump 1: All seats and footwell jets

### 20 Total Jets

DirectionalMax1  
Jets (10)

DirectionalMax2  
Jets (6)

DirectMiniMax  
Jets (4)



Spa Operation Subject to Change without Notice

- A = 26.50" (67.31 cm)
- B = 26.25" (66.68 cm)
- C = 26.50" (67.31 cm)
- D = 26.25" (66.68 cm)
- E = 28.30" (71.87 cm)
- F = 18.00" (45.72 cm)
- G = 30.50" (77.47 cm)

### Seat Depths

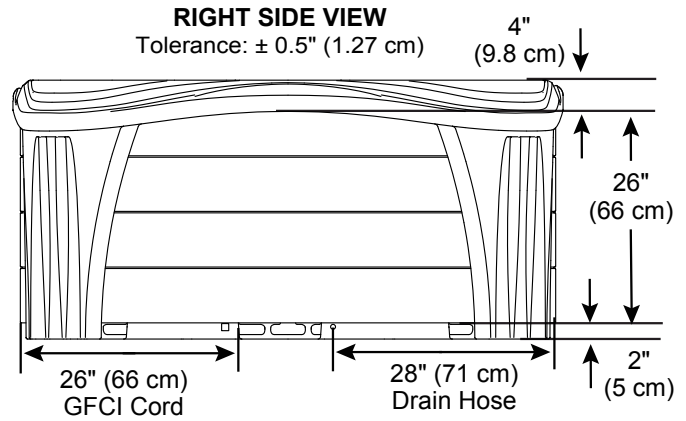
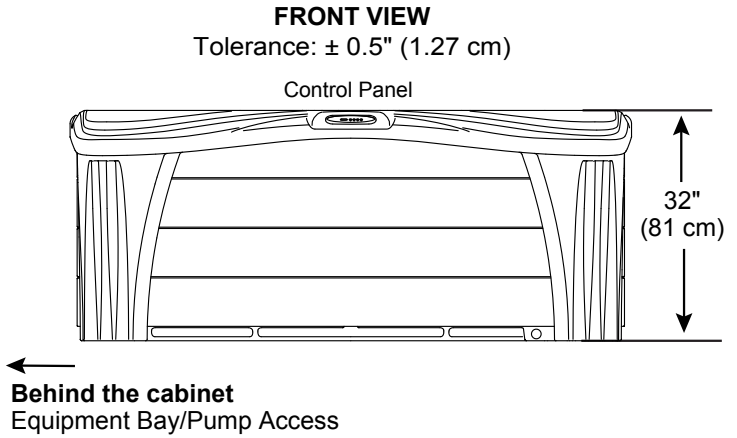
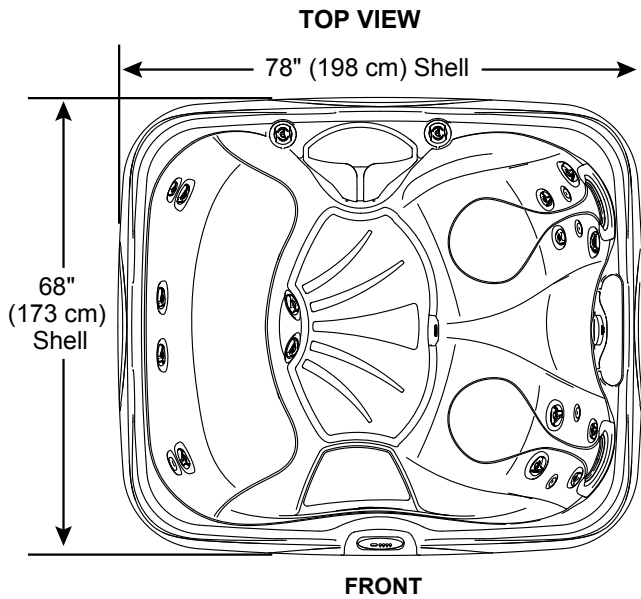
Listed dimensions represent distance from top of spa to lowest point in seat.  
Tolerance:  $\pm 0.5"$  (1.27 cm)



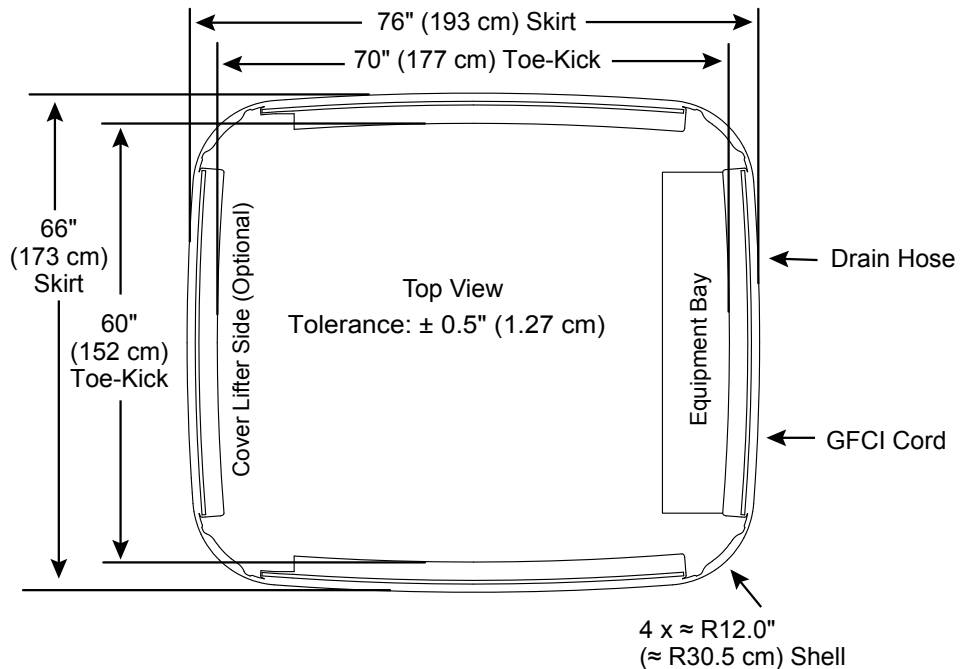
Dimensions/Specifications are Subject to Change Without Notice

# Mood 20 Jets

## Dimensions




**IMPORTANT! Always measure each hot tub for exact dimensions BEFORE designing its foundational support and/or decking.**

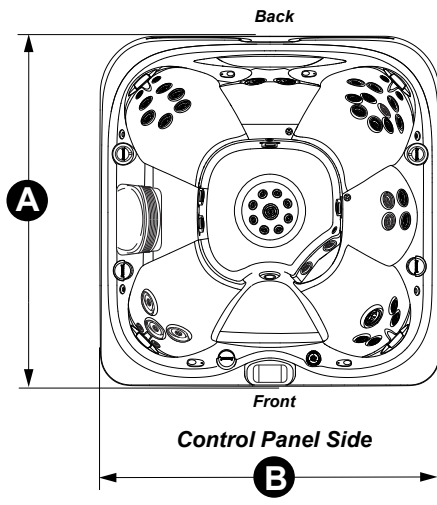


Dimensions/specifications subject to change without notice. Tolerance  $\pm 0.5"$  (1.27 cm)

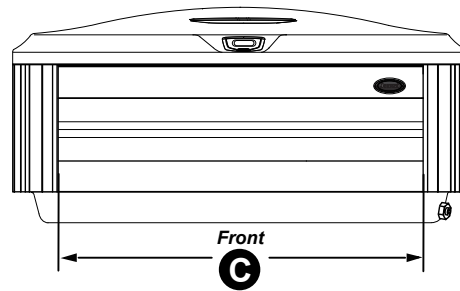
# Complete Dimensions- J400 Collection Models

Spa Models	DIMENSIONS A-F (All measurements are an approximate ± .5")					
	A	B	C	D	E	F
J-495	110" (279.40 cm)	91" (231 cm)	31.25" (79.38 cm)	37.50" (95.25 cm)	43.50" (110.49 cm)	≈ 8.0" (20.32 cm)
J-485	91" (231 cm)					
J-475						
J-445	84" (213.5 cm)	84" (213.5 cm)	29.75" (75.57 cm)			
J-435	84" (213.5 cm)	84" (213.5 cm)	29.75" (75.57 cm)			
J-425	87" (220.98 cm)	76" (193.04 cm)	28" (71.12 cm)	34" (86.36 cm)	40" (101.60 cm)	
Spa Models	DIMENSIONS G (All measurements are an approximate ± .5")			 <p><b>IMPORTANT! Always measure each hot tub for exact dimensions BEFORE designing its foundation support and/or decking.</b></p>		
	G	H (Drain)	CLEARRAY®			
J-495	≈ 15.0" (38.10 cm)	Front Right	Front Center			
J-485						
J-475						
J-445						
J-435						
J-425						

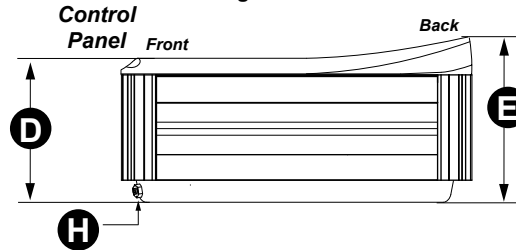
**Spa Top View (J-485 Illustrated)**



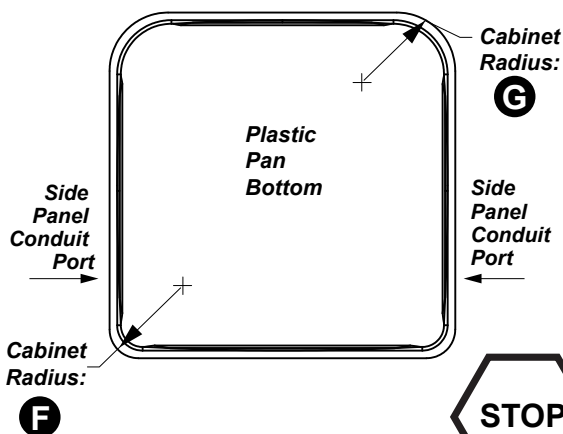
**Control Panel Side View**



**Side View (J-485 Illustrated)  
Left/Right Side Panel**



**Spa Bottom View (J-485 Illustrated)**



**Important Panel Details**


**NOTE:** Over time the panel(s) may bow, this is considered normal. The panels will straighten out when reinstalled into the mounting channel. Place one end of the panel into the channel first then flatten the panel and insert the other end.

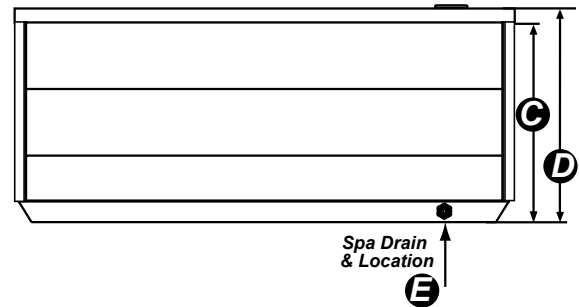
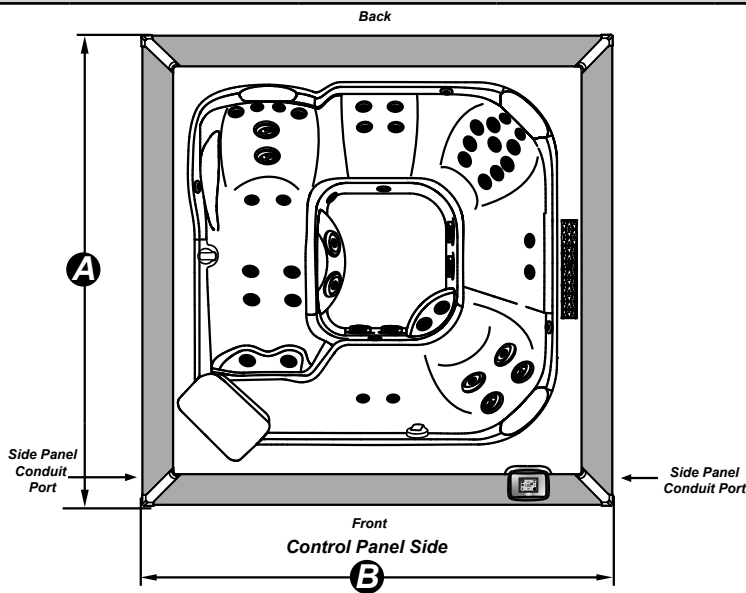


**IMPORTANT! Always measure each hot tub for exact dimensions BEFORE designing its foundational support and/or decking.**

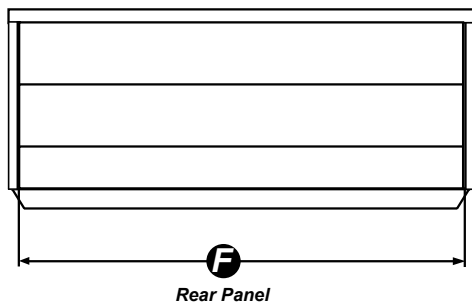
Note: Gaps in underlying wood frame are for ventilation purposes; not for electrical hook-ups or other uses.

# Complete Dimensions - J-LX Collection Models

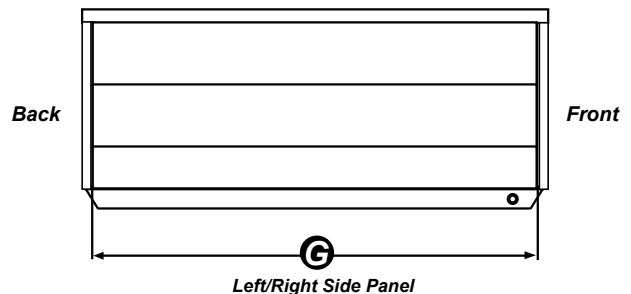
Spa Models	DIMENSIONS A-F (All measurements are an approximate)					
	A	B	C	D	E	F
J-LXL	90" (229 cm)	90" (229 cm)	31.35" (79.63 cm)	34" (86.0 cm)	Front Right	84.75" (215.27 cm)
J-LX						78.75" (200.02 cm)
J-LXS	66" (168 cm)	84" (213 cm)				
DIMENSIONS G-J (All measurements are an approximate)						
	G					 <p><b>IMPORTANT!</b> Always measure each hot tub for exact dimensions <b>BEFORE</b> designing its foundation support and/or decking.</p>
J-LXL	84.75" (215.27 cm)					
J-LX						
J-LXS	60.75" (154.30 cm)					
- Dimensions Subject to Change Without Notice -						



Front/Rear Side View (All Models)




Left/Right Side View (All Models)



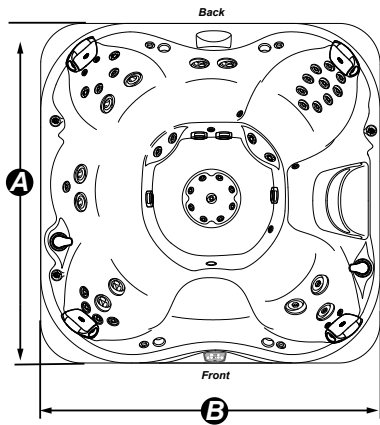
Note: Gaps in underlying wood frame are for ventilation purposes; not for electrical hook-ups or other uses.

# Complete Dimensions - J300 Collection Models

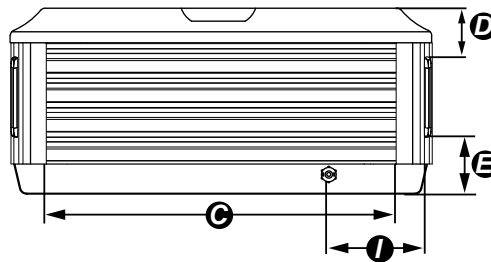
Spa Models	DIMENSIONS A-F (All measurements are an approximate)							
	A	B	C	D	E	F		
J-385	91" (231.1 cm)	91" (231.1 cm)	66.75" (169.55 cm)	9.0" (22.86)	15.75" (40.01 cm)	32" (81.28 cm)		
J-375			66.50" (168.91 cm)					
J-365	84" (213.4 cm)	84" (213.4 cm)	60.0" (152.40 cm)		13.5" (34.09 cm)	30.50" (77.47 cm)		
J-355			52.5" (133.35 cm)		10.75" (27.31 cm)	28" (71.12 cm)		
J-345			76" (193 cm)		52.0" (132.08 cm)	9.50" (24.13 cm)	26.25" (66.68 cm)	
J-335						9.50" (24.13 cm)	26.25" (66.68 cm)	
J-325	66" (167.6 cm)							
J-315								
DIMENSIONS G-I (All measurements are an approximate)								
	G	H	I	CLEARARRAY®	 <p><b>IMPORTANT!</b> Always measure each hot tub for exact dimensions <b>BEFORE</b> designing its foundation support and/or decking.</p>			
J-385	37.50" (95.25 cm)	26" (66.04 cm)	12" (30.48 cm)	Front Center				
J-375			29" (73.66 cm)					
J-365			36" (91.44 cm)				24.50" (62.23 cm)	27" (68.58 cm)
J-355								27" (68.58 cm)
J-345	33.50" (85.09 cm)	21.5" (54.61 cm)	12" (30.48 cm)					
J-335	31.75" (80.65 cm)							
J-325								
J-315								

**- Dimensions Subject to Change Without Notice -**

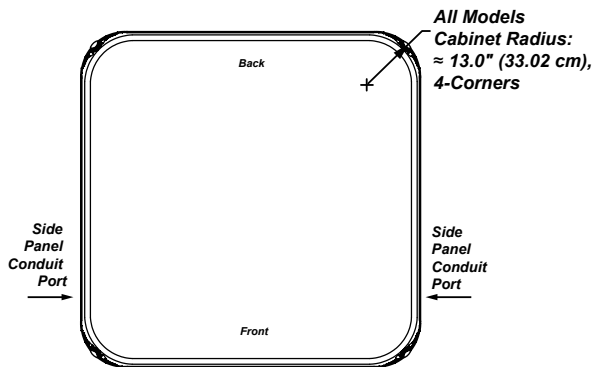
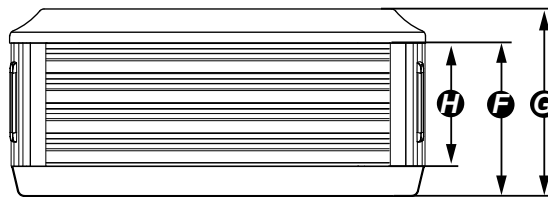
Spa Top View (J-385 Illustrated)



Control Panel Side View (All Models)




Rear Side View (All Models)

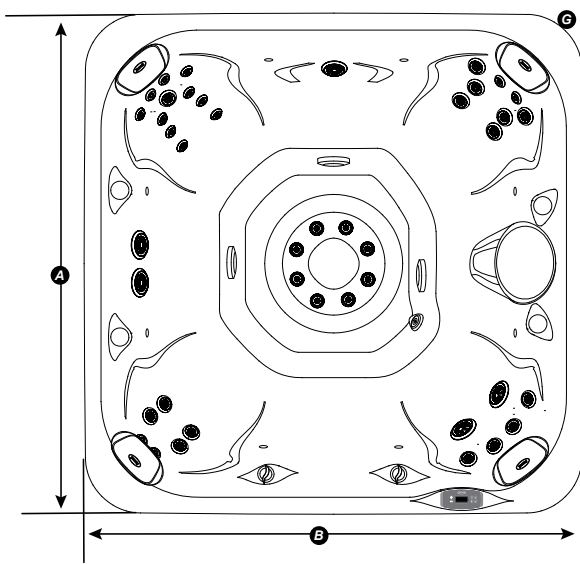


Note: Gaps in underlying wood frame are for ventilation purposes; not for electrical hook-ups or other uses.

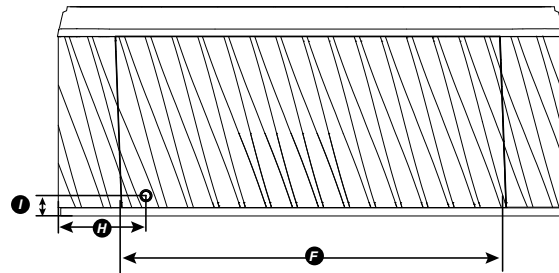
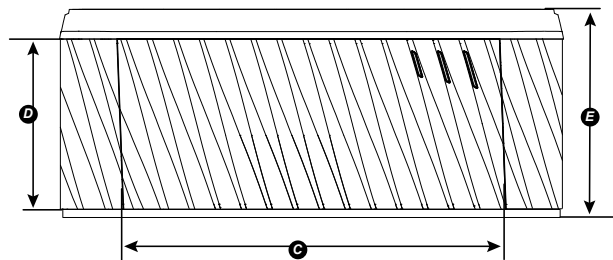
# Complete Dimensions-All J200 Collection Models

Spa Models	DIMENSIONS A-G (ALL MEASUREMENTS ARE AN APPROXIMATE)						
	A	B	C	D	E	F	G
J-215	69" (175.3 cm)	80" (203.2 cm)	58.88" (149.6 cm)	27" (68.6 cm)	33" (83.8 cm)	TBD	10.0" (25.4 cm)
J-225	80" (203.2 cm)	80" (203.2 cm)	58.88" (149.6 cm)	27" (68.6 cm)	33" (83.8 cm)	58.88" (149.6 cm)	10.0" (25.4 cm)
J-235	84" (213.4 cm)	84" (213.4 cm)	62.25" (158.1 cm)	30" (76.2 cm)	36.0" (91.4 cm)	62.25" (158.1 cm)	10.0" (25.4 cm)
J-245	84" (213.4 cm)	84" (213.4 cm)	62.25" (158.1 cm)	30" (76.2 cm)	36.0" (91.4 cm)	62.25" (158.1 cm)	10.0" (25.4 cm)
J-275	89" (226.1 cm)	89" (226.1 cm)	69.25" (175.9 cm)	30" (76.2 cm)	36.0" (91.4 cm)	69.25" (175.9 cm)	10.0" (25.4 cm)
J-285	89" (226.1 cm)	89" (226.1 cm)	69.25" (175.9 cm)	30" (76.2 cm)	36.0" (91.4 cm)	69.25" (175.9 cm)	10.0" (25.4 cm)
DIMENSIONS H-I (ALL MEASUREMENTS ARE AN APPROXIMATE)							
	H	I	CLEARARRAY®	Drain	 <p><b>IMPORTANT! Always measure each hot tub for exact dimensions BEFORE designing its foundation support and/or decking.</b></p>		
J-215	28.5" (72.39 cm)	4.0" (10.16 cm)	Center	Right			
J-225	24.0" (60.96 cm)	4.0" (10.16 cm)					
J-235	24.0" (60.96 cm)	4.0" (10.16 cm)					
J-245	24.0" (60.96 cm)	4.0" (10.16 cm)					
J-275	26.0" (66.04 cm)	4.0" (10.16 cm)					
J-285	26.0" (66.04 cm)	4.0" (10.16 cm)					
- Dimensions Subject to Change Without Notice -							

Spa Top View (J-285 Illustrated)



Cabinet Radius:  
≈ 10.0" (25.4 cm),  
4-Corners



Note: Gaps in underlying wood frame are for ventilation purposes; not for electrical hook-ups or other uses.









Your Jacuzzi Hot Tub Dealer is:



[www.Jacuzzi.com](http://www.Jacuzzi.com)  
14525 Monte Vista Ave.  
Chino, CA 91710

(03/2023) GME-1249 Rev. A23  
© 2023 Jacuzzi Hot Tubs