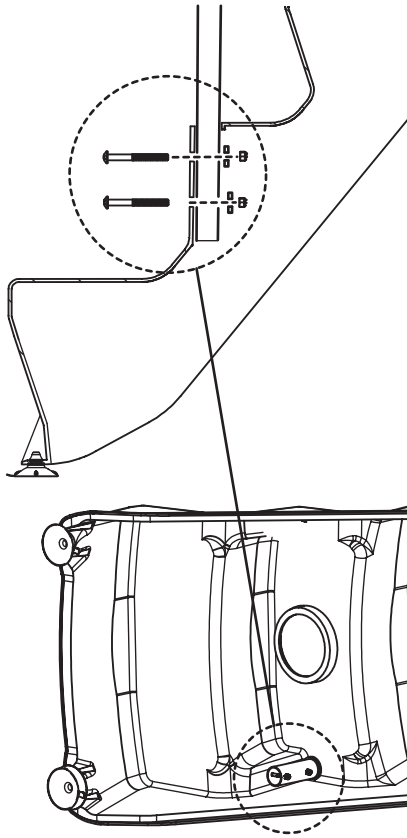


I-STEP WITH DECK 1919-S-B

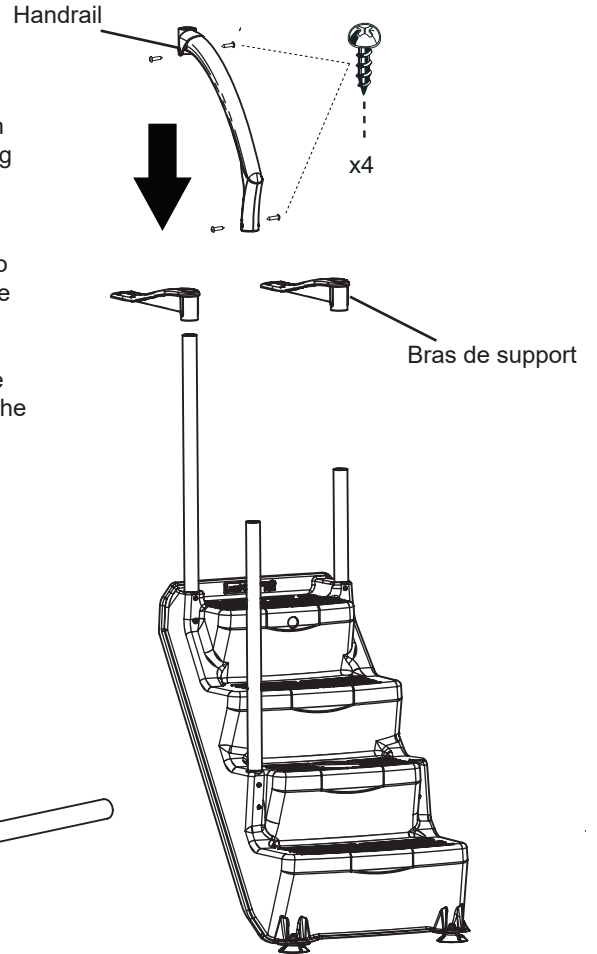
B



1) Place the step on its side and insert the posts into the holes in the step. Fasten each post with the long bolts making sure the locknuts and flat washers are inside the steps.

2) Insert the deck brackets into the rear post. Do not fasten the deck bracket at this point.

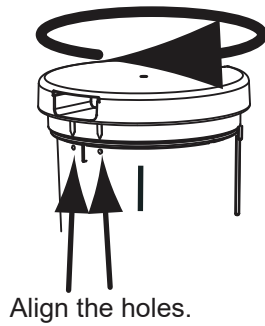
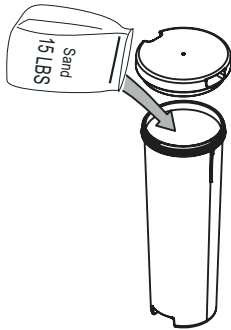
3) Install the handrails with the short screws provided. Insert the two handrail encaps before fastening the handrails.



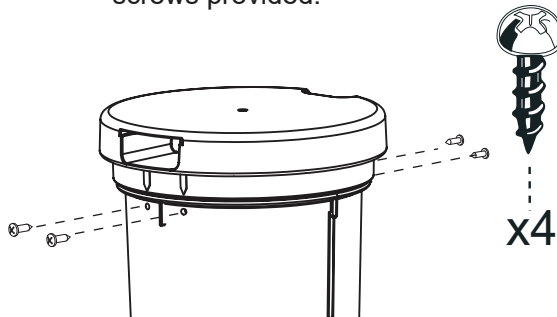
C

1) Fill the ballast with sand. The approximate weight should be 15 lbs.

2) Screw the lid in place and align the cover ribs with the holes in the ballast base.



3) Fasten the cover to the ballast base with the four screws provided.

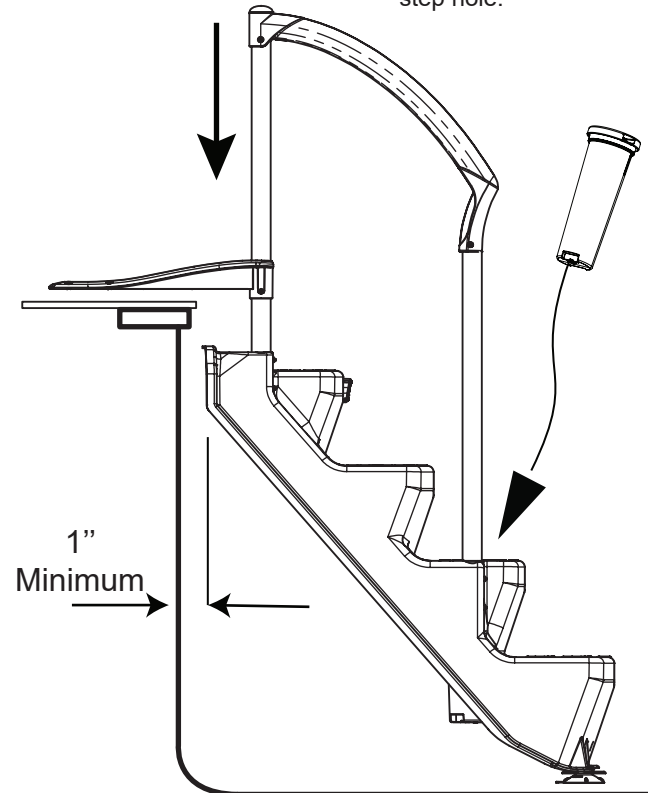


D

1) Slowly submerge the step into the pool. Make sure you do not damage the pool liner in the process.

2) Slide the deck supports to the height of the deck.

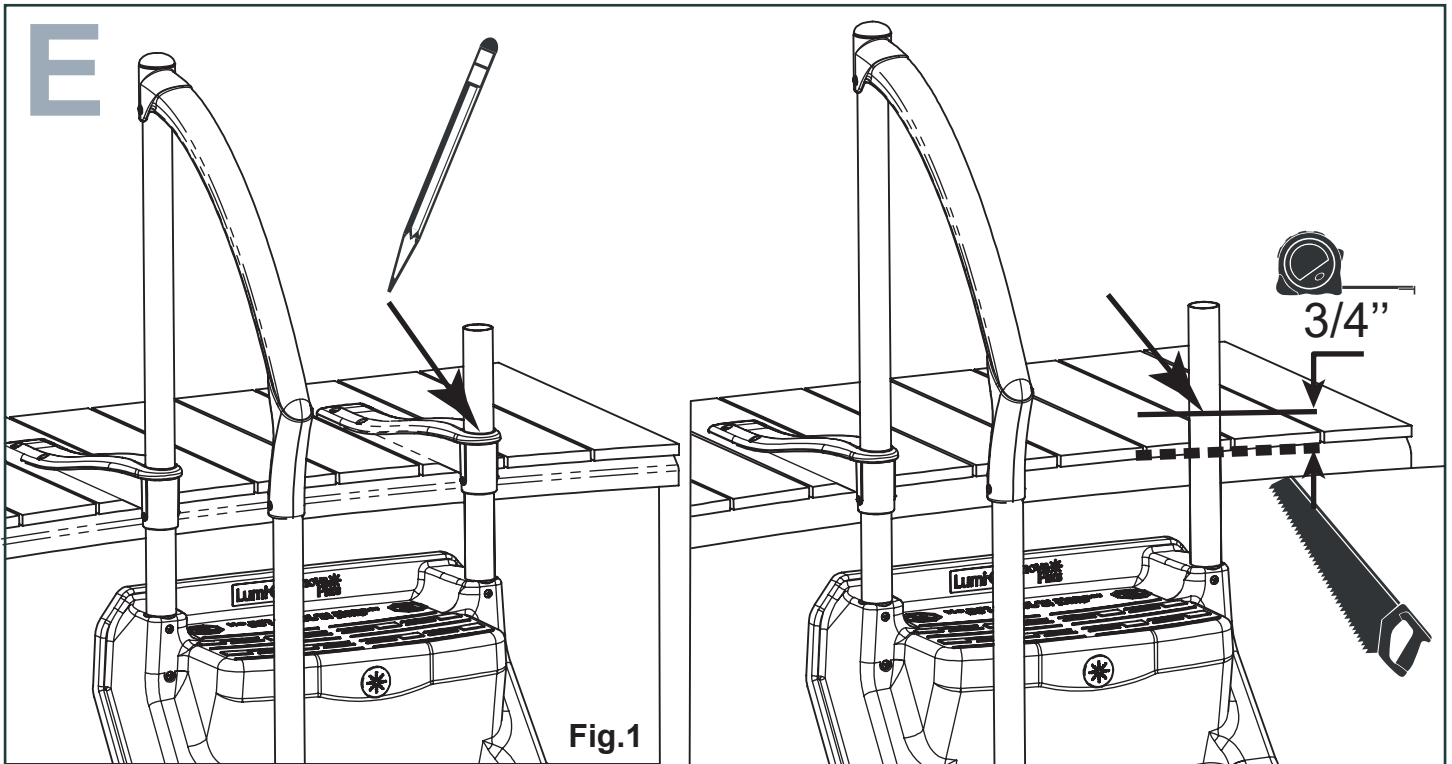
3) Drop the ballast in the step hole.



MANUFACTURER WARRANTY

1 year on pool step.
1 year on hardware.

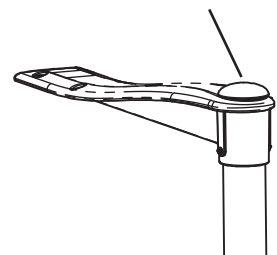
I-STEP WITH DECK 1919-S-B



1) When the step and ballast are correctly located in place, slide the deck brackets against the deck and trace a line on the short post with a marker as per fig 1.

2) Remove the deck bracket from the short post and cut the short post 3/4" below the mark described in step 1. The 3/4" gap will allow the decorative rounded end cap to be installed later in the process.

Decorative rounded end cap



CAUTION

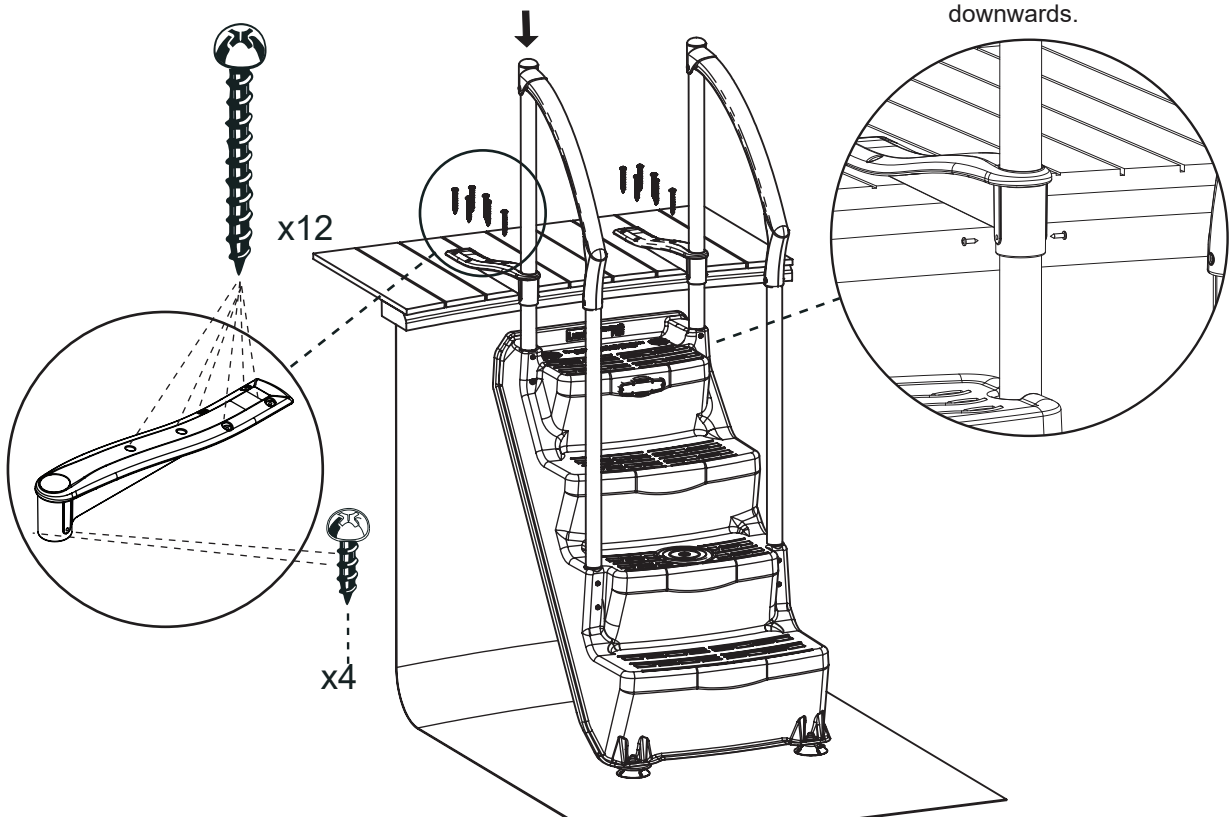
To prevent pool liner puncture, keep a minimum 1" gap between the pool liner and the rear underside of the step.

F 1) Affix the deck supports to the deck with the screws supplied.

2) Install the decorative rounded end caps on the handrail and deck bracket.

3) Pull the deck supports (already fixed to the deck) upwards to create a spring effect on the step.

4) Fasten the supports to the rear posts while pushing the entire step downwards.



MANUFACTURER WARRANTY

**1 year on pool step.
1 year on hardware.**



**Innova
Plas**

2257 route 139
Drummondville, Québec
J2A 2G2

WWW.INNOVAPLAS.COM

REV. 2025/12/15

PN:

PG:3