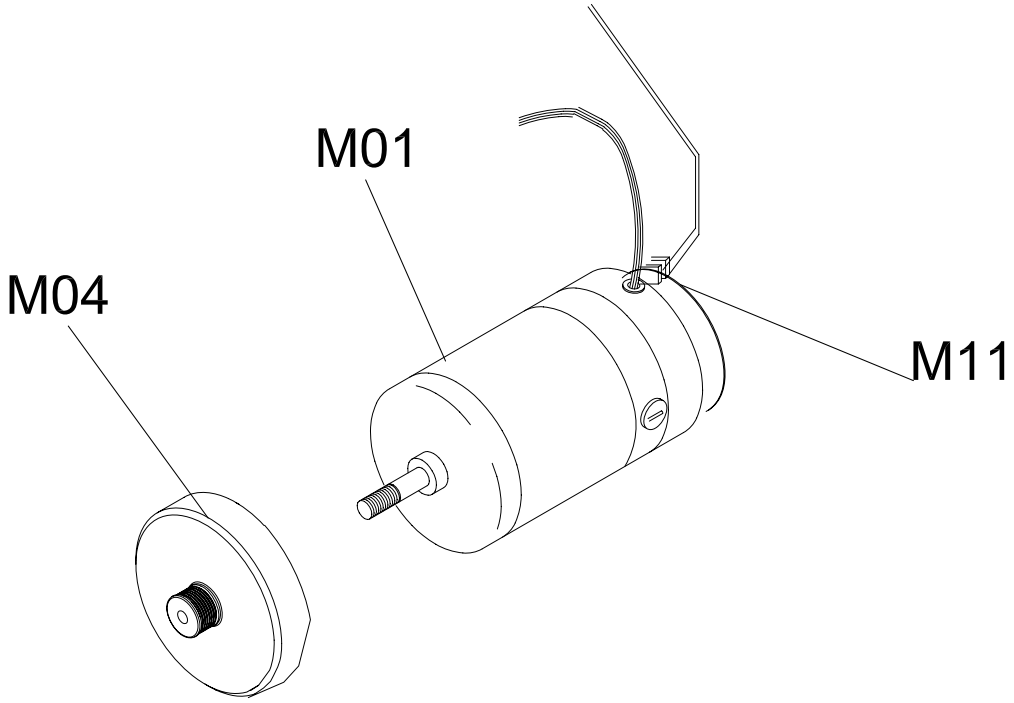
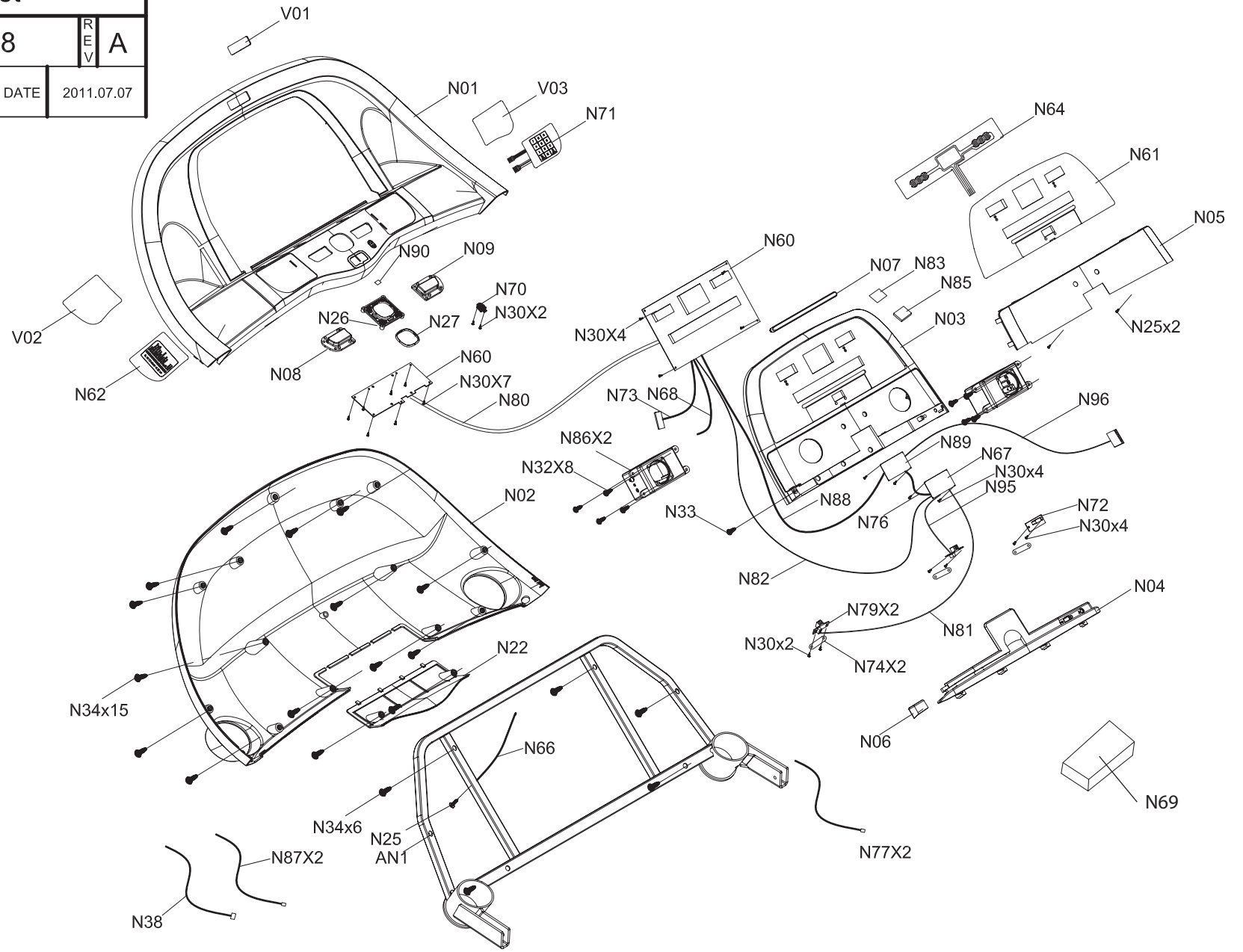


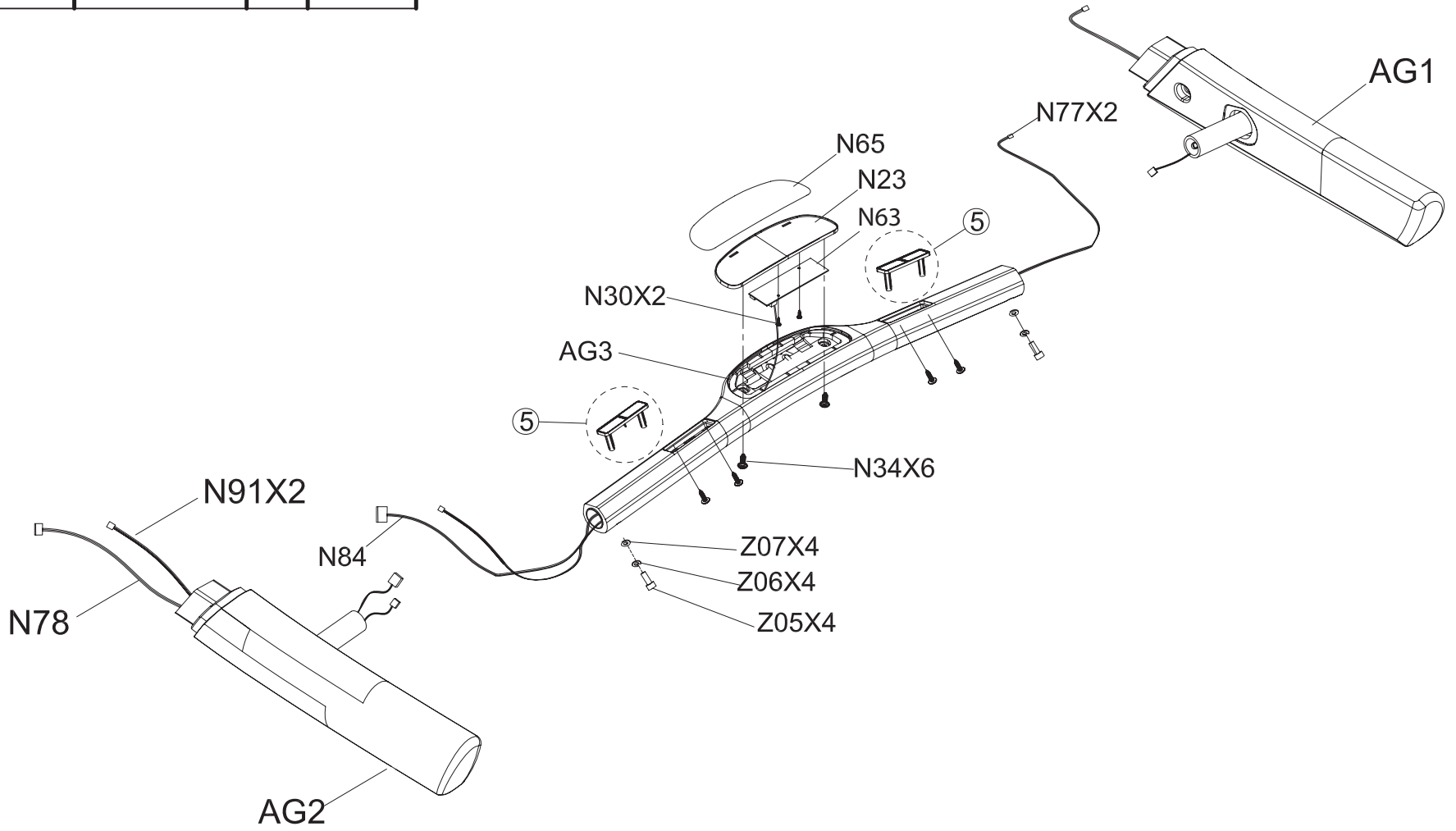
DRAWING NO.	TM428-A10		
PART NAME	Motor set		
SAP PART No.	1000220237	REV	A
APPROVE		DATE	2011.07.07



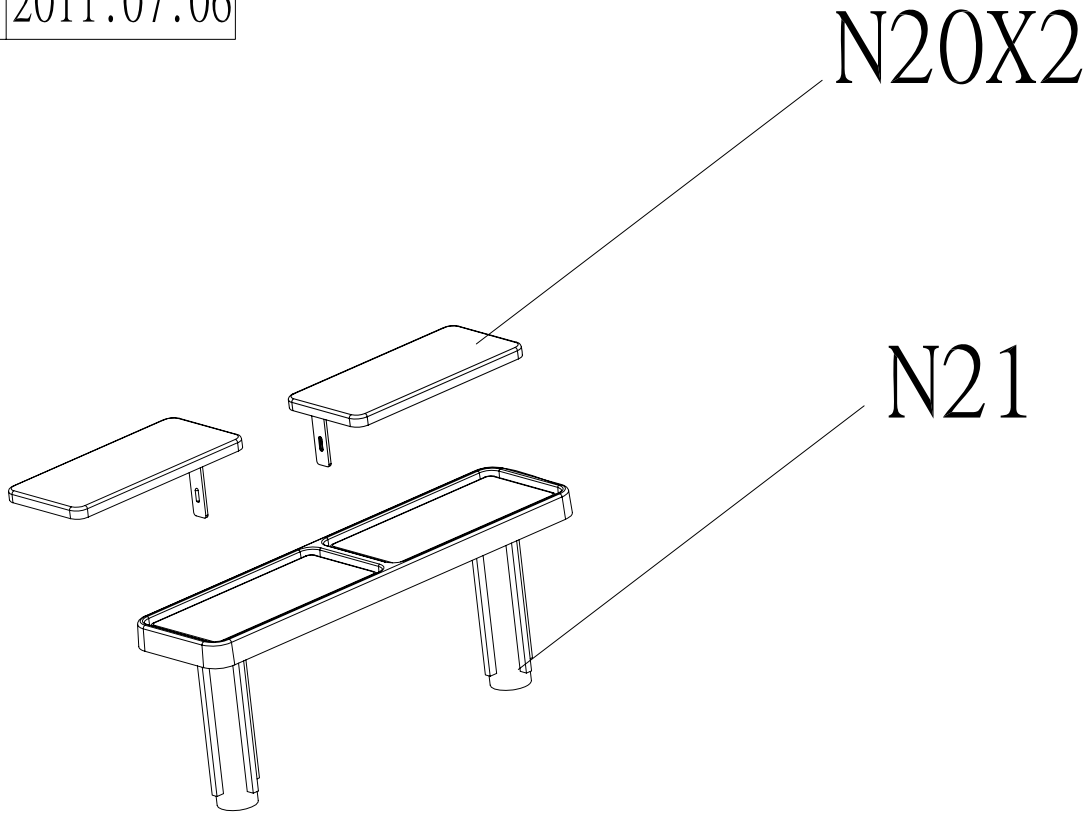
DRAWING NO.	TM428-A11		
PART NAME	Console set		
SAP PART No.	1000220238	REV	A
APPROVE		DATE	2011.07.07



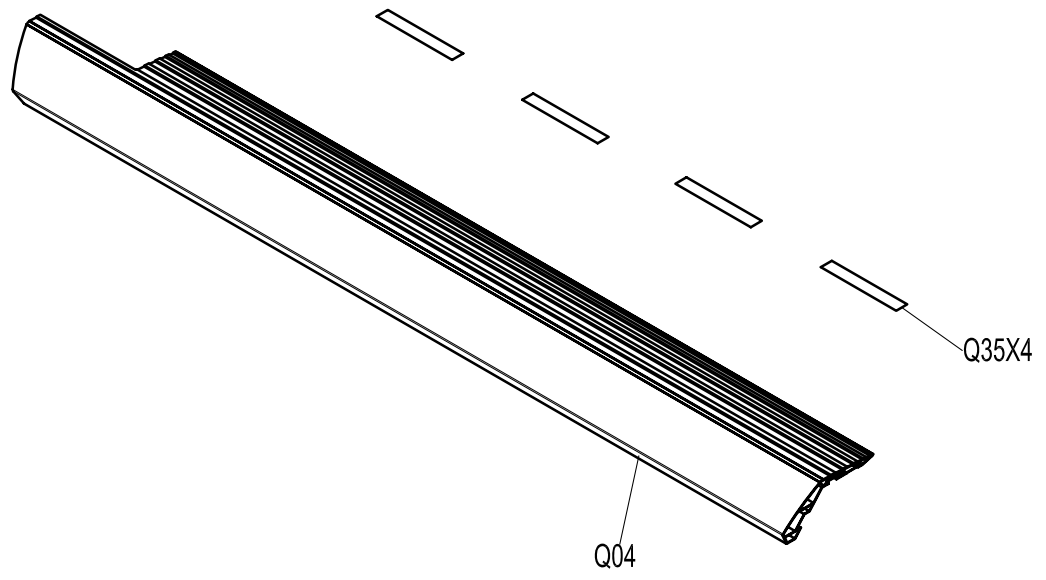
DRAWING NO.	TM428-A12		
PART NAME	Handbar set		
SAP PART No.	1000220239	REV	A
APPROVE		DATE	2011.07.07



DRAWING NO	TM427-A14		
PART NAME	hand pulse sensor set		
PART NO	1000220315	REV	A
APPROVE		DATE	2011.07.06



DRAWING NO	TM428-A14		
PART NAME	L Side Rail Set		
PART NO	1000220499	REV	A
APPROVE		DATE	2011.07.8



DRAWING NO	TM428-A15		
PART NAME	R Side Rail Set		
PART NO	1000220500	REV	A
APPROVE		DATE	2011.07.8

